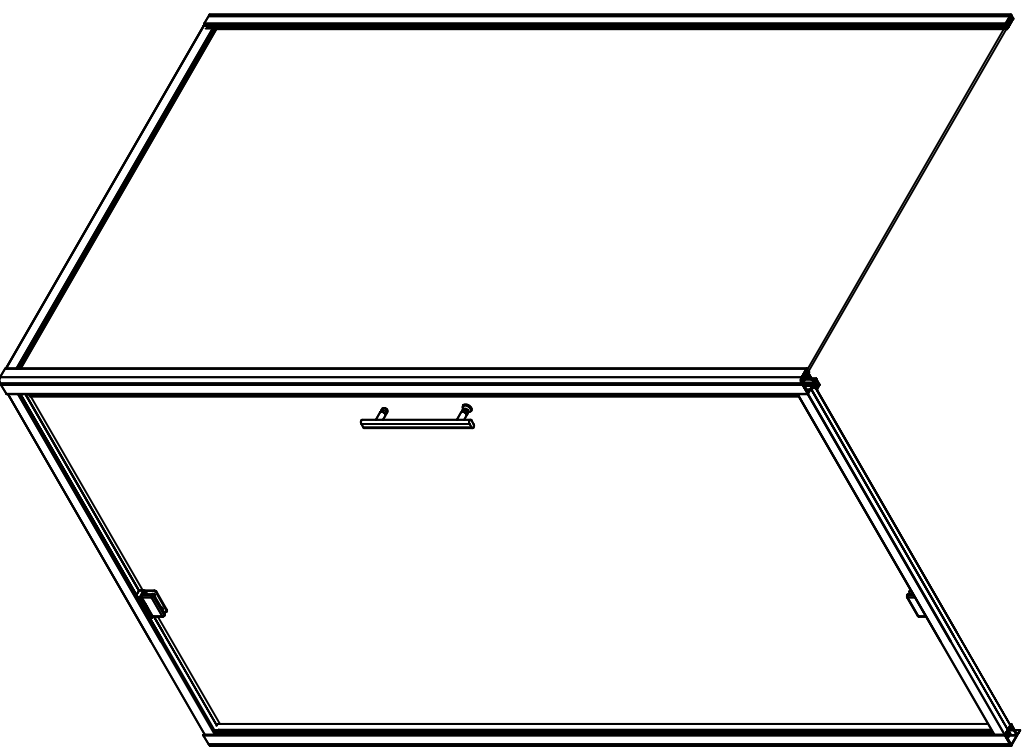
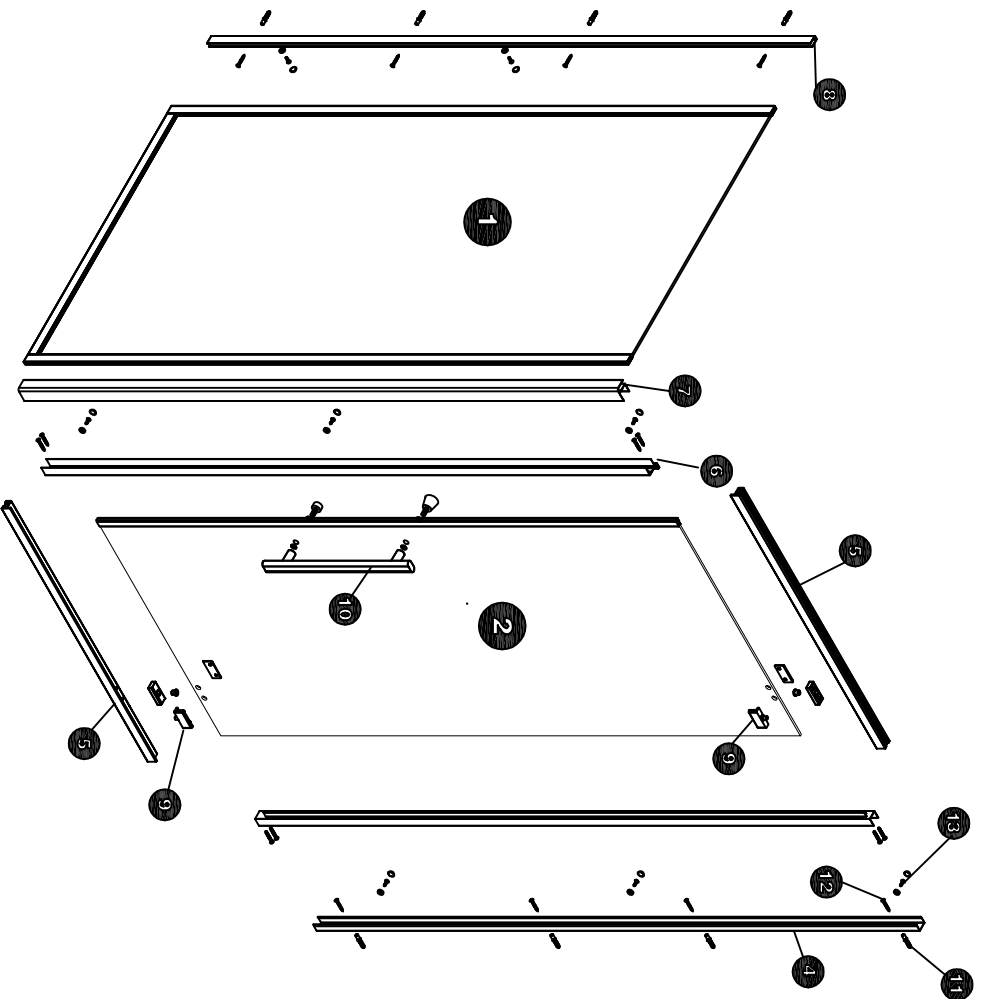


SHOWER ENCLOSURE
INSTALLATION INSTRUCTIONS



INSPECTION AFTER OPENING

Please read these installation instructions and check that all the parts are supplied and in good working order. If there are any missing or damaged items, please contact your supplier.



INSTALLATION

1. Installing the tray on the right position which you need. And using the gradienter in the horizontality, or using the installed tray as the gradienter to adjust the position. As step 1.
2. Put the 4 & 8 wall section aluminum over the tray and leave about 15mm from the outer edge of the tray. Then taking a mark after you make the wall section aluminum in the horizontality by gradienter. Like the Step 2,3,4.
3. Drill the hole in the mark position, the diameter of the hole is 6mm. Like the Step 4.
4. Fasten the 4 & 8 wall section aluminum on the wall by screw 12.
5. Let the fixed glass 1 inset in wall section aluminum 8 and adjust the right place. And place the fixed glass 3 in the wall section aluminum 4, then set it in the suitable position.
6. Insert the doorsill section aluminum 5 in the fixed glass 3 and adjust the right place. (Pay attention to the doorsill section aluminum direction). Then fixed the magnetic section aluminum 6 in the doorsill section aluminum 5 by the screws. Like the step 5. (This step had finished before sell, you could ask us to make it dismounting if you need.) After finished the above step, please put the magnetic section aluminum into the corner section aluminum and adjust the suitable place.
7. Fasten the connect section aluminum by screw 13. Please pay attention to the matching screw cap and pedestal. The diameter drill hole is 3.2mm. Like the step 7.
8. Install the pivot 9, doorsill section aluminum 5 and removable glass 2 in the tray. (Noticed the removable glass direction). The rubber mat must be assembled during the installation. In order to stop the glass crack. Then install the metal handle and put the matching screw cap in it after installed the removable glass. Like the step 8.
9. Final step, use the silicon gel around the shower enclosure and use after 24 hours.

NO	PIECES
1	1
2	1
3	1

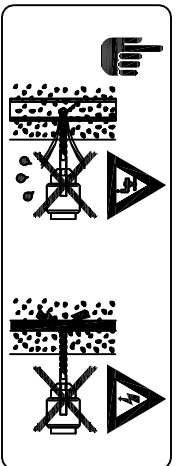
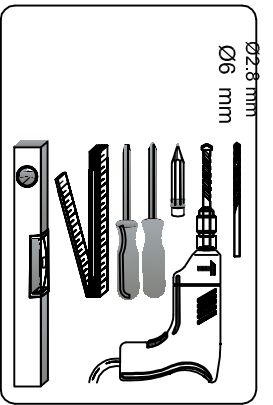
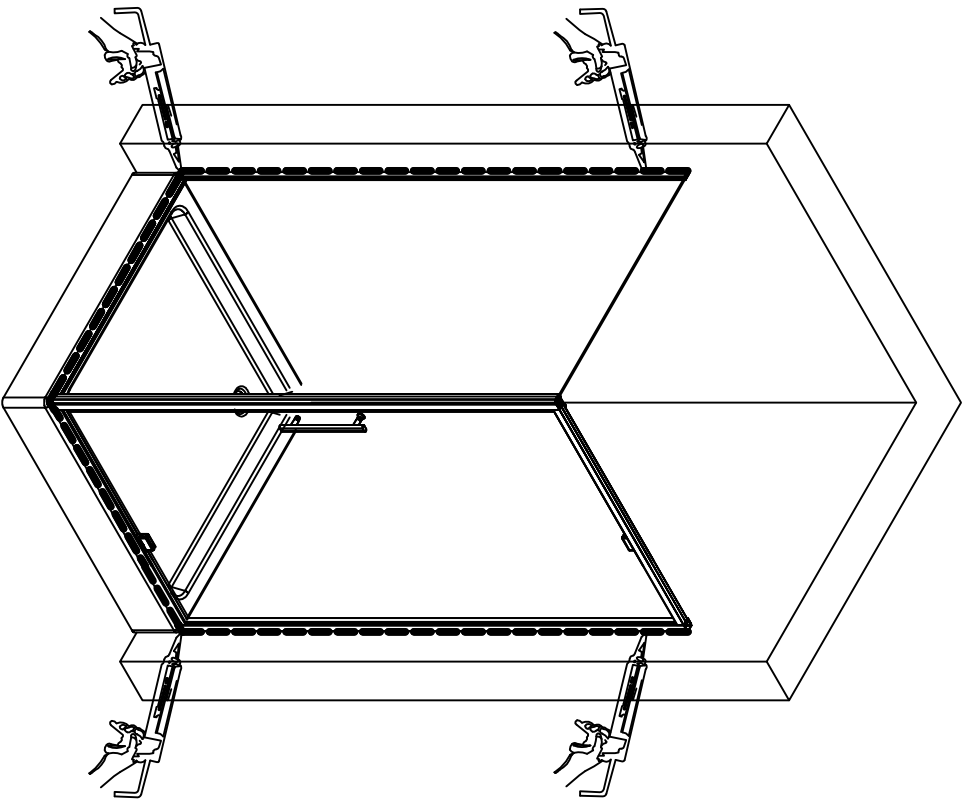
NO	PIECES
4	1
5	2
6	1

NO	PIECES
7	1
8	1
9	2

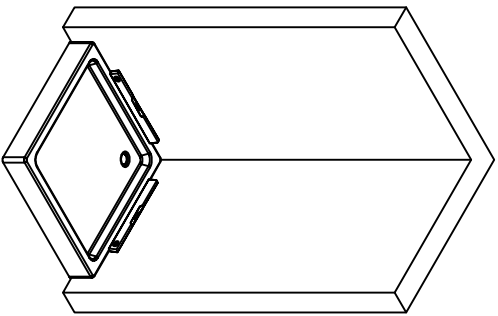
NO	PIECES
10	1
11	6
12	10

NO	PIECES
13	11

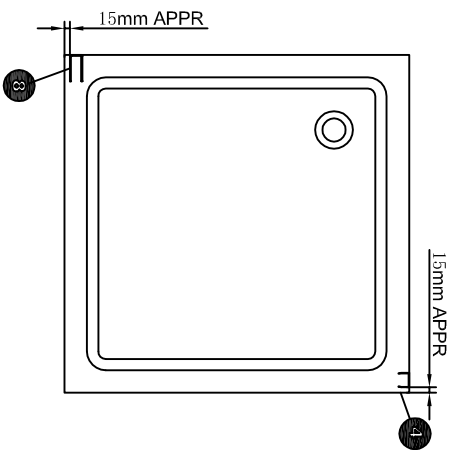
9



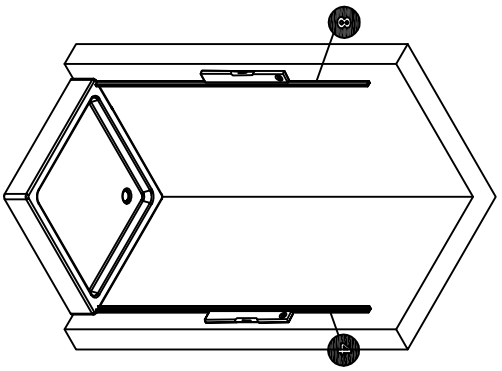
1



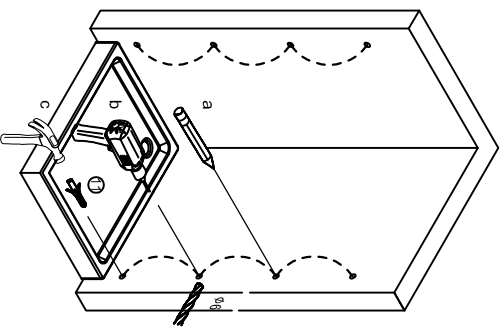
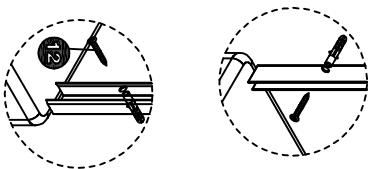
2



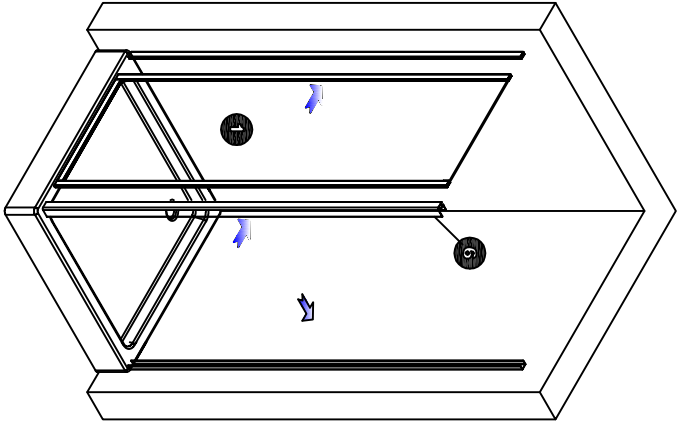
3



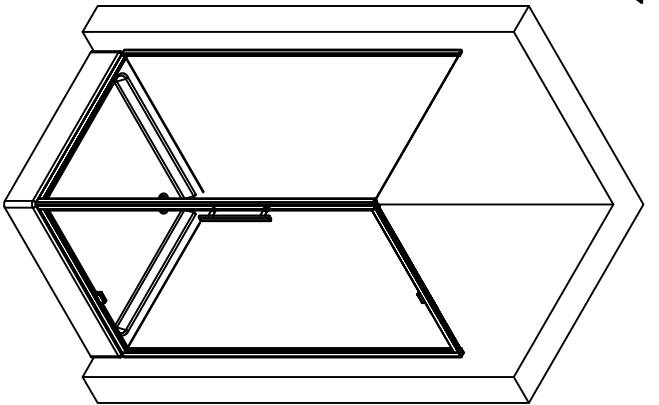
4



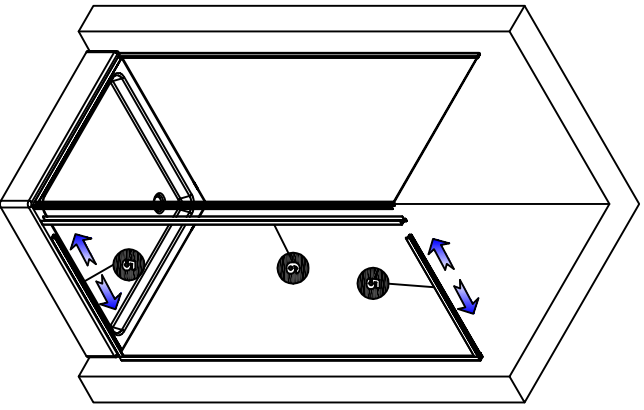
5



7



6



8

