

# SHOWER TRAY AND WALL LINER INSTRUCTIONS.

INCORRECT INSTALLATIONS MAY VOID YOUR WARRANTY

ALL INSTALLATIONS **MUST** COMPLY WITH REGULATIONS. THIS IS THE RESPONSIBILITY OF THE INSTALLER.

This shower tray has been manufactured to high standards.

Before installing check the tray fully for transportation damage. At the completion of the installation again check the tray for damage during installation.

Prior to installation consider service requirements.

Remove the tray protective film; from waste area, tray edges prior to installation.

## Tray Installation

All walls must be plumb and square in the corner/s. The floor must be, robust, flat, and level.

The tray must sit level on the floor and be fully supported by the PVC feet attached on the tray base.

Prepare the wall and floor ready for tray and lining installation. Fig1. Ensure a batten is in place to support the GIB were it has been cut away. Fig 1B

## Tray Installation Notes

The base of the tray must be fully supported onto the floor through all PVC feet and adhesive used to glue the tray support feet to the floor. Fig2.

If the wall lining or tiles can't be correctly fitted down to the base of the up stand, Fig2 due to a bow in the wall or a thin fibrous backing board being used the tray may need slightly checking into the wall studs .Example Fig7 A;A

Make a test fitting prior to final installation of the tray to ensure it correctly in place. The waste should be permanently fitted and lined up before doing this. Double check plumb to walls and level. Fig3

Remove the tray to place generous adhesive to the support feet, then ease it permanently into place and firmly weight the tray down.

## IMPORTANT NOTICE

The tray must be installed level on all top edges and the base must be fully supported, or warranty may be void.

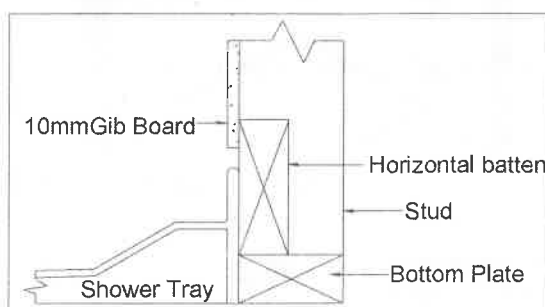


Fig1B

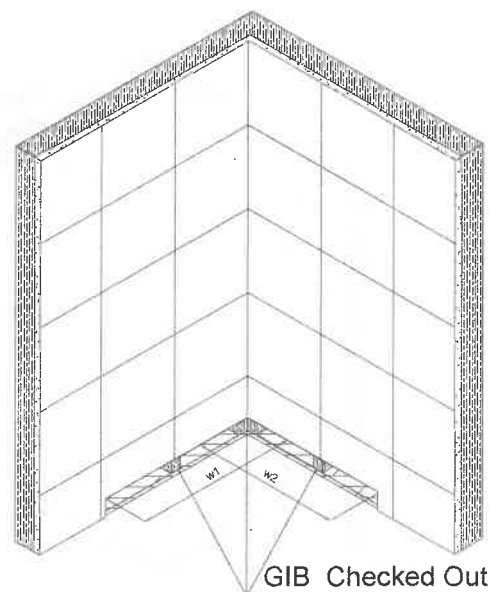


Fig 1

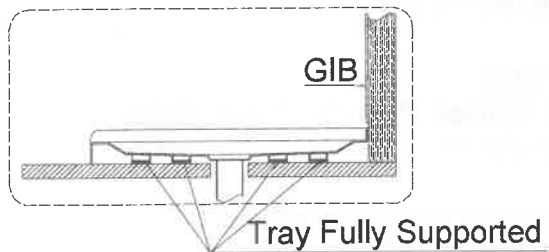


Fig2

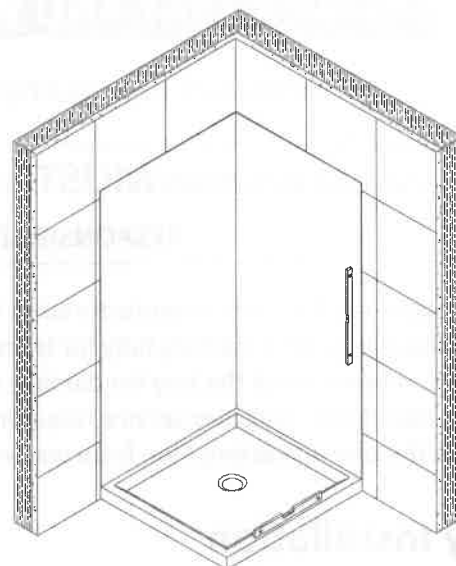


Fig3

### FITTING THE WALL LINING IF APPLICABLE

1. The wall lining size must match the tray you have purchased.
2. Fit the lining into position without any adhesive making sure it sits simply and correctly into place against the Gib wall and evenly onto the tray at the base of the up stand. (The Gib backing must be original, no paint or plaster)
3. Once satisfied the wall liner is correctly and fully into position (pushed tightly into corner) run a pencil line around the perimeter of the lining. Fig4. Within the pencil line where the acrylic wall will be attached ensure the Gib is screwed or nailed at 200mm centers.
4. Using the pencil line measure the position onto the lining of any fittings requiring holes to be made in the lining such as mixer / taps, shower rose. Fig5. Then make the correct sized holes in the lining to match your chosen fittings.

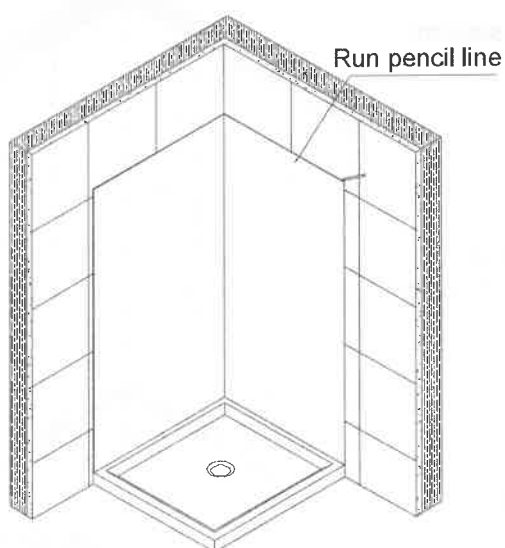


Fig4

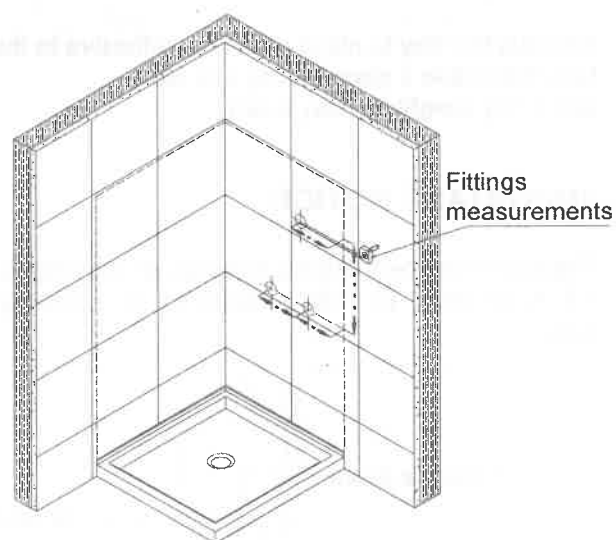


Fig5

5. Check the lining onto the wall again to ensure fittings and liner are positioned correctly.

6. Use the correct lining adhesive supplied to run beads of adhesive in the following pattern. Approximately 20mm in from the pencil line run a bead of adhesive. Continue then to infill with adhesive at about 100mm centers. Continue till the complete area where the wall liner fits is in-filled correctly. Fig6
7. Make a silicon bead as in Fig7 all the way around the tray up stand to give a water tight seal between the tray up stand and the lining when fitted into place. Make sure the silicon is generous were the GIB meets the up stand.

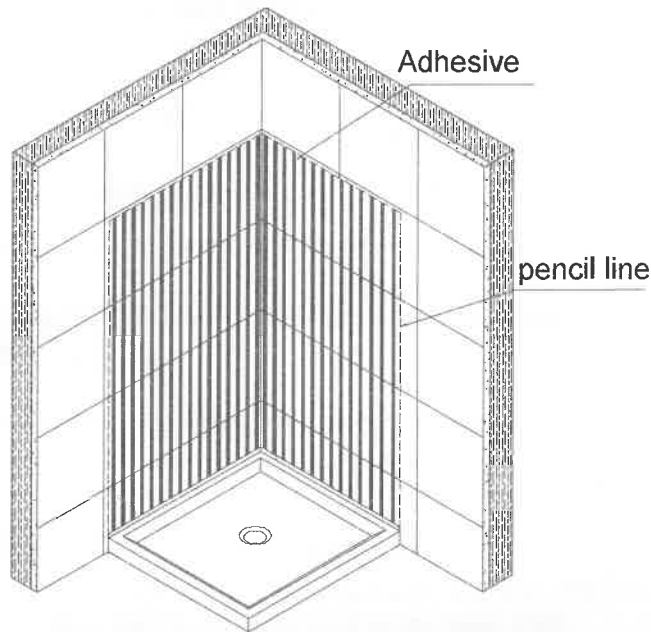


Fig6

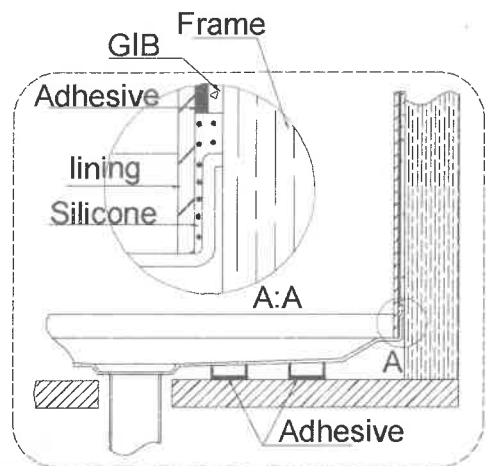


Fig7

8. Fit the wall liner into place and smooth out with a clean rag.
9. Fill around the top and ends of the liner with a paintable sealer.
10. Clean up any excess silicon etc.
11. Remove protective film from the liner and fit fittings.

#### **DRILLING AND CUTTING ACRYLIC IF REQUIRED**

- Small holes can be drilled with a twist drill, but back off the cutting edge of the drill. ( the sharp cutting edge must be dulled )
- Larger holes must be drilled with a fine tooth hole saw.
- lways drill from the acrylic surface.
- Use a hand fine tooth hacksaw blade if any recess cut is required.
- Do not use and electric jig saw on acrylic.

#### **Cleaning Instructions**

- There are cleaners on the market that are not suitable for cleaning acrylic.
- When purchasing cleaners make sure they are worded as suitable for acrylic baths, acrylic basins, and acrylic showers. Solvents, abrasive cleaners, must never be used on this installation.