



IMPORTANT - PLEASE RETAIN THIS DOCUMENT FOR WARRANTY REFERENCE. PLEASE ALSO ATTACH YOUR SALES RECEIPT FOR ANY FUTURE INQUIRIES

INSTALLATION GUIDE 2 Panel Bath Screen

Contents

Introduction Page 2

Contents supplied Page 3

Tools required / safety warnings Page 4

Installing the wall receiver Page 5

Installing the fixed glass panel Page 6

Installing the swing panel Page 7

Installing the seals Page 8

Warranty, Cleaning and After sales service Page 9

1 Introduction

Thank you for purchasing a Nouera Product. As a 100% New Zealand owned and operated company with over 34 years experience, we appreciate your support, and we're sure you will find this product of the highest quality.

This installation manual is designed to provide you as much assistance as possible during the installation process. If at any stage you encounter any confusion, we invite you to contact us at your earliest convenience. One of our team will be more than happy to talk you through any questions you may have. Our contact details are at the back page of this manual.

It is important to consider the implications not only of voided warranty, but also potential water leakage if installation is not carried out correctly. It's always better to be safe than sorry.

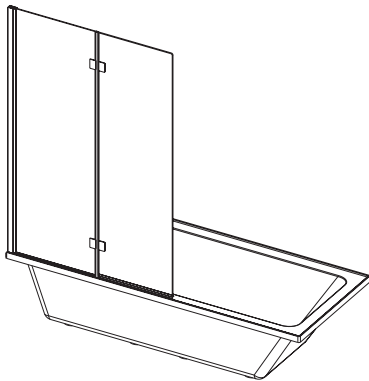
This product has been manufactured to meet all of our own quality assurance standards as well as those required by the New Zealand Building Code. The glass is manufactured to meet all requirements of AS/NZS2208 Safety Standard.

This product is also covered by our full 10 year "No Nonsense" warranty. The details of this warranty can be found on Page 9.

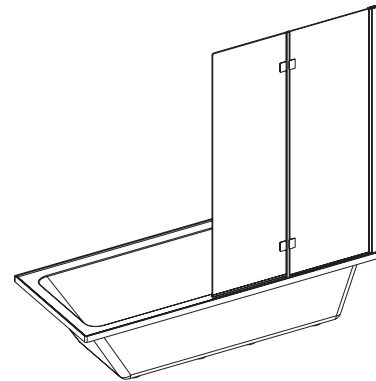
IMPORTANT

This bath screen is designed to be installed in either a RH fixed **or** LH fixed position.

The images used in this document depict a **LH** fixed installation. If you are installing this bath screen in a **RH** fixed position, all aspects of the installation are identical, but are a reflection of the images shown.



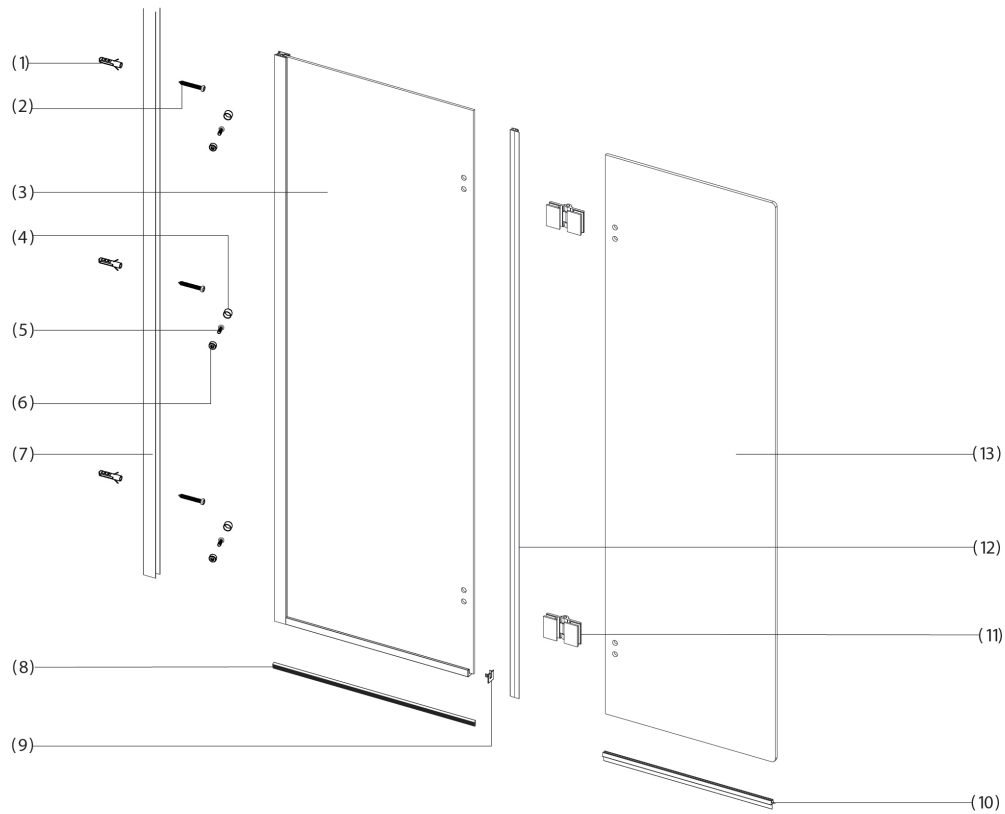
LF Fixed Installation



RH Fixed Installation

2 Contents supplied

Please ensure that all parts listed below are supplied prior to starting installation




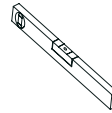

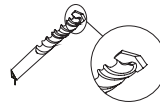
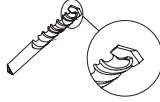
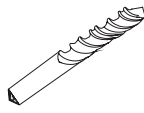
PARTS LIST

Part Number	Description (QTY)
1	Hollow wall plugs (3)
2	Fixing screws 4mm x 30mm (3)
3	Fixed glass panel (1)
4	Screw cover caps (3)
5	Fixing screws 4mm x 12mm (3)
6	Cover cap retainers (3)
7	Wall receiver (1)

Part Number	Description (QTY)
8	Wedge seal (1)
9	Cover cap (1)
10	Bottom seal (1)
11	Hinges (2)
12	Horizontal seal (1)
13	Glass swing panel (1)

3 Tools required

	Flat head Screwdriver
	Phillips Screwdriver
	Marking Tool
	Drill
	Hammer

	Tape Measure
	Level
	Caulking Gun / Silicone
	6mm Tile Drill Bit (if wall surface is tiled and hollow wall anchors are installed)
	3mm Tile Drill Bit (if wall surface is tiled and solid timber mounting is available)
	3mm HSS Drill Bit

** We Recommend the use of SIKA Sikail NG Artic White Silicone

4 Safety / Warnings

Warning - The Glass Panels of this product are made from high quality safety glass.

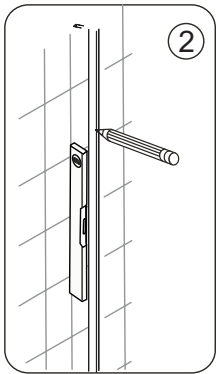
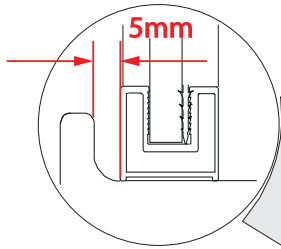
The nature of safety glass means that it is highly impact resistant on its FACE (flat side).

However, it is sensitive to impact on its edges. Take all possible steps to ensure the edges of the glass panels are protected from impact during installation.

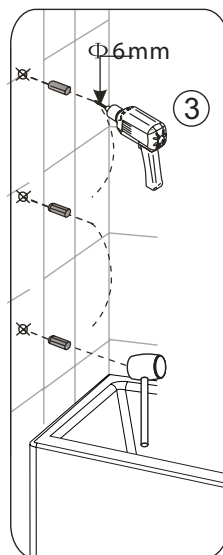
Safety - Please take all possible steps to ensure that the correct Personal Protection Equipment is used, and that care is taken during the installation of this product.

5 Installing the wall receiver

Step 1 - Position the wall receiver 5mm INSIDE the outer edge of the Bath. If the Bath has an upstand, position the receiver 5mm INSIDE of this upstand. Mark the position of the receiver on the wall.



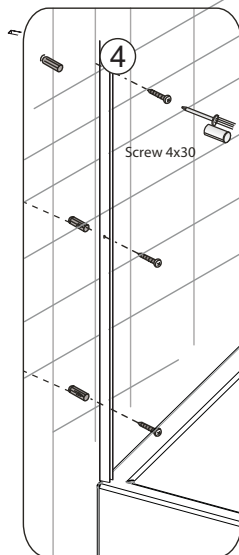
Step 2 - Position the wall receiver to the mark, and using a level ensure it is vertically plumb.



Step 3 - With the receiver in position, mark the fixing hole position on the wall.

If the walls are hollow, drill a 6mm hole, and install the hollow wall anchors.

If you have solid timber fixings - drill a 3mm pilot hole through the wall surface.



Step 4 - Hold the receiver up to the wall, and either install screws into hollow walls or timber fixings.

Once the Screws are tight, re-check the receiver is vertically plumb.

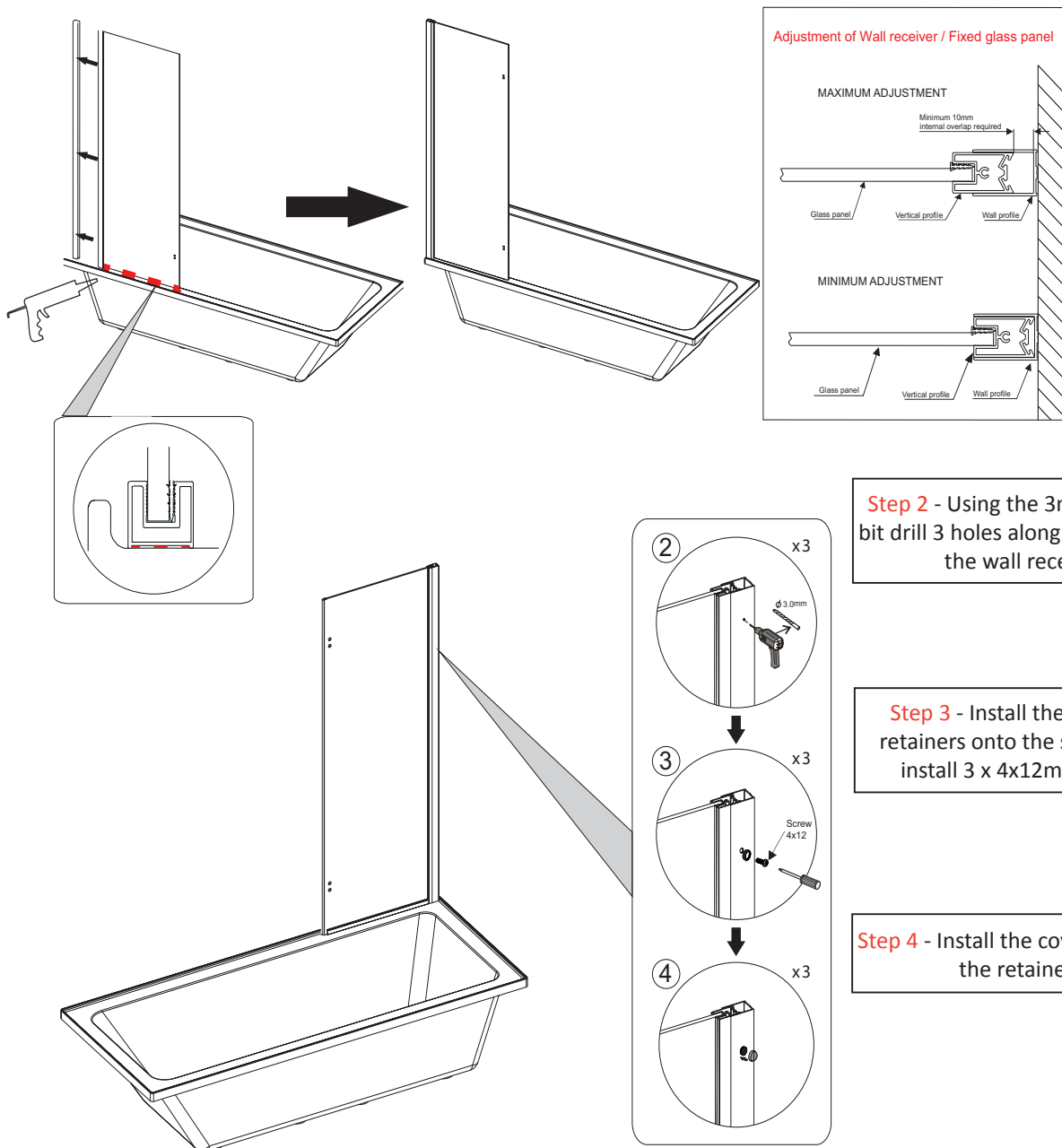
6

Installing the fixed glass panel

Step 1 - Run a bead of silicone onto the bottom of the fixed glass panel extrusion (as shown). Install the fixed glass panel into the wall receiver.

The wall receiver provides a degree of inner adjustment for walls which are not vertically plumb.

Ensure that the bottom extrusion is sitting flat on to the top surface of the bath.
Then ensure that there is a minimum of 10mm overlap between the wall receiver and the fixed glass panel extrusion.
As per the diagram below.



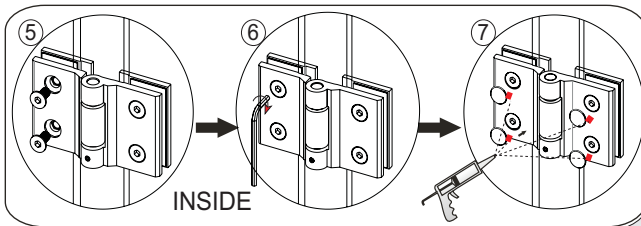
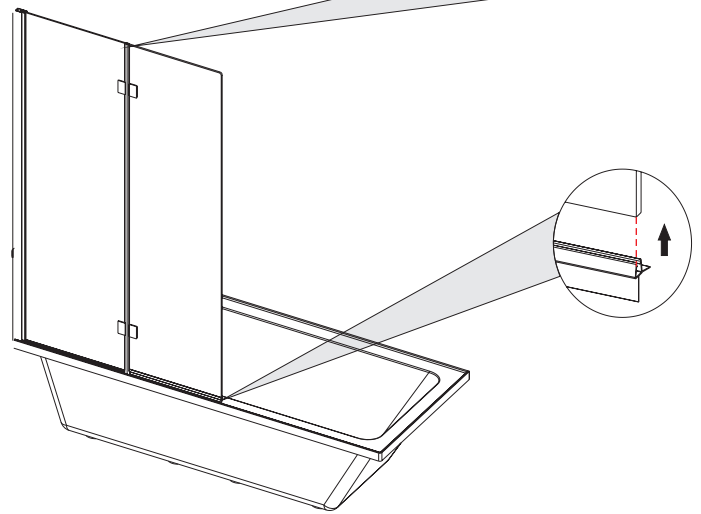
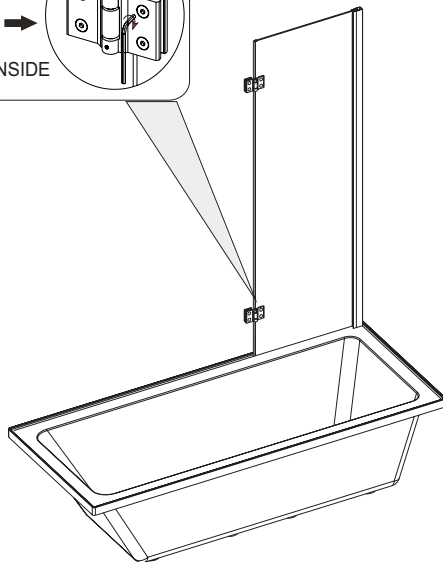
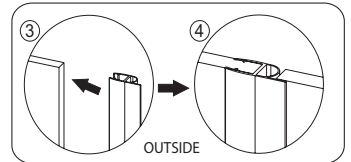
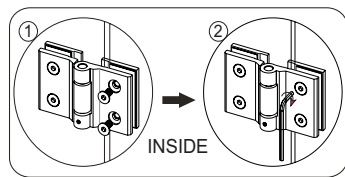
7 Installing the swing panel

Step 1 - Working from the **INSIDE** of the bathscreen, install the hinges onto the fixed glass panel.

The hinges are supplied with clear gaskets. These not only seal the hinge to the glass, but act as a packer to allow for optimum hinge operation. It is recommended to fit 2 gaskets between the hinge and glass on the **OUTSIDE**, and 1 thickness on the inside.

Step 3 - To protect the outside edges of the glass, we recommend installing the vertical seal strip onto the fixed glass panel, and the bottom drip seal onto the swing panel **PRIOR** to installing the swing panel

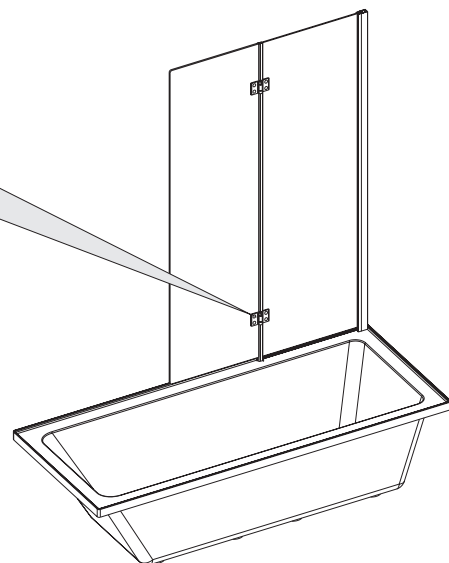
Step 2 - Gently tighten the fixing screws onto the panel.
Insert the End cap to the bottom extrusion



Step 5 - Insert the fixing screws into the swing panel, and tighten by hand

Step 6 - Once the swing panel is positioned correctly, gently tighten the fixing screws

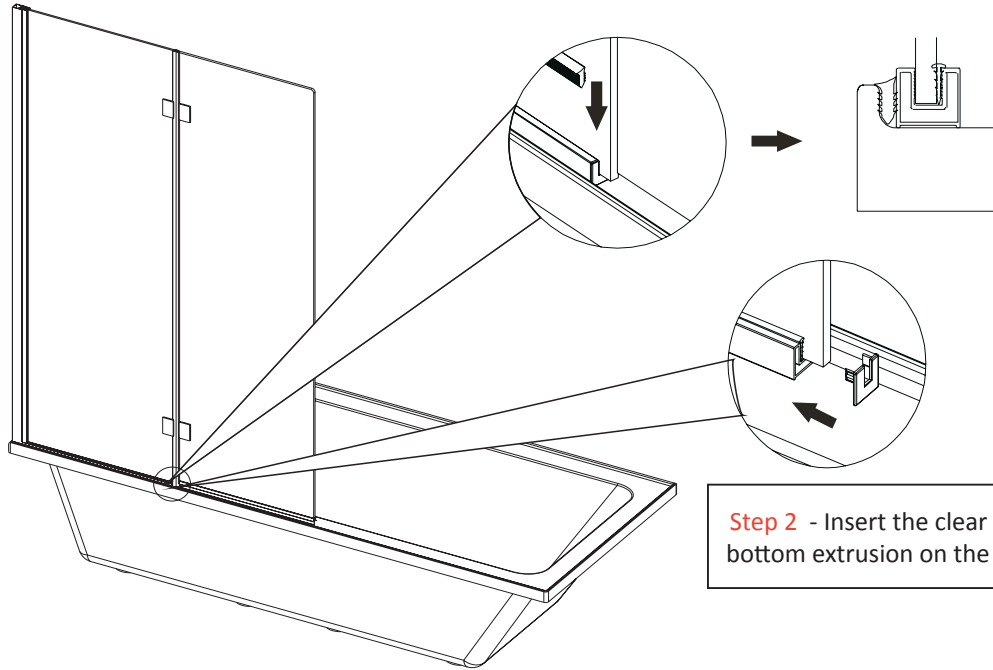
Step 7 - Apply a **small dot** of silicone to the screw head and install caps onto screws.



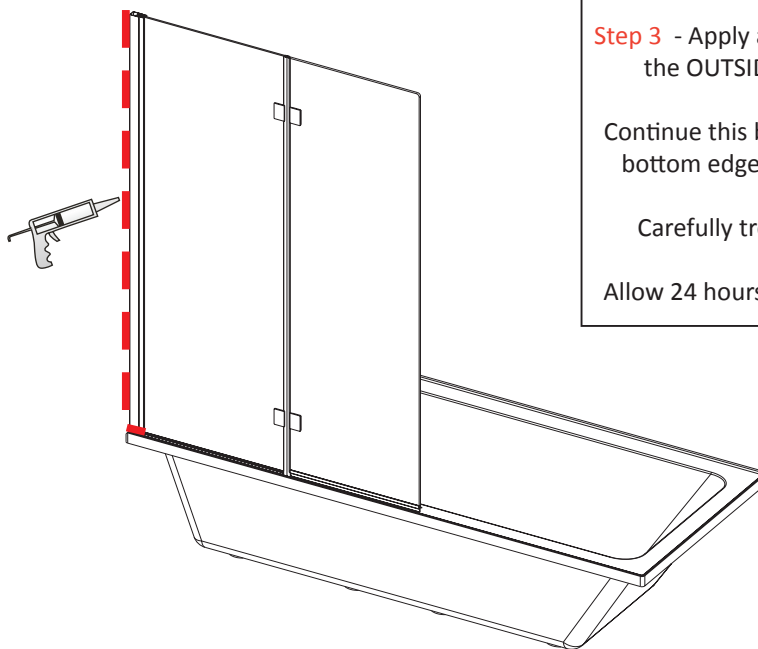
8

Installing seals

Step 1 - Insert the clear silicone wedge seal into the bottom extrusion on the fixed glass panel.



Step 2 - Insert the clear end cap into the bottom extrusion on the fixed glass panel.



Step 3 - Apply a vertical bead of silicone to the OUTSIDE of the Wall Receiver.

Continue this bead horizontally along the bottom edge of the wall receiver only.

Carefully trowel this bead to finish.

Allow 24 hours to cure before showering.

9 Warranty

All bathroom ware products supplied by Nouera Shower systems carry our Quality Assurance and Product Warranty. We use the highest quality materials available and manufacture these in accordance with New Zealand specifications and requirements to ensure that all products are fit for the intended purpose for which they are designed. Our customers peace of mind is of paramount importance to us.

Warranty Periods

Baths	10 years
Showers	10 years
Shower Screens and Doors	10 years

Warranty Exclusions

The product must be installed according to the instructions supplied.
The water supply temperature applied to the product must not exceed 55 degrees Celsius.
Commercial applications are restricted to a 2 year warranty on all products.

10 Cleaning

Shower Wall

We use Durosan premium quality sanitaryware grade Acrylic. It is, by design, very robust and chemical resistant. A soft damp cloth with non-abrasive cleaners should be used. Use only non-abrasive cleaners that are recommended for Acrylic products.

Shower Tray and Bath

We manufacture our Shower Trays and Baths using a solid acrylic surface. Most other shower trays are manufactured using a veneer acrylic surface. The great advantage is that small scratches can be removed easily by using fine cutting compound. Again the same basic cleaning methods as the wall are recommended.

Shower Doors and Glass

All glass is compliant to AS/NZS 2208. We suggest that the glass surfaces are wiped down or squeegeed following use to remove excess water. For best results use a trusted glass cleaner.

Metal framework

Should be cleaned using a soft damp cloth with non-abrasive cleaner. Note that on round showers, the bottom rollers are easy release for ease of cleaning. If chemical spray cleaners are used, avoid direct contact with the rollers and guides and ensure the shower is rinsed off to avoid residue build up.

Weather seals and drip strips

Can be removed if required for cleaning, and can be replaced when they no longer look their best. Refer to the spare parts and accessories section of our website for more details.

Note - If the Glass has been treated follow specific cleaning instructions from the system provider.

11 After sales service

We trust you have found this manual helpful during the installation of this product. However if you have any questions at all regarding your Nouera product, please feel free to contact us.

Phone 09-274-7423
Fibre Systems Ltd
20 Neilpark Ave
East Tamaki
Auckland