

BATH AND WALL LINER INSTRUCTIONS.

INCORRECT INSTALLATIONS MAY VOID YOUR WARRANTY

ALL INSTALLATIONS **MUST** COMPLY WITH REGULATIONS. THIS IS THE RESPONSIBILITY OF THE INSTALLER.

This bath has been manufactured to high standards.

Before installing check the bath fully for transportation damage. At the completion of the installation again check the bath for damage during installation.

Prior to installation consider service requirements.

Remove the bath protective film; from waste area, bath installation edges prior to installation.

Bath Installation Method

All walls must be plumb and square in the corner/s. The floor must be, robust, flat, and level. The bath has several support feet that must contact onto the floor.

The bath must sit level on the floor and be fully supported by the PVC feet attached on the bath base. **FIG1**. The bath must be fully supported under the rim on all four sides.

Note **FIG5**, Also typical baton fitting **A:A Fig1**

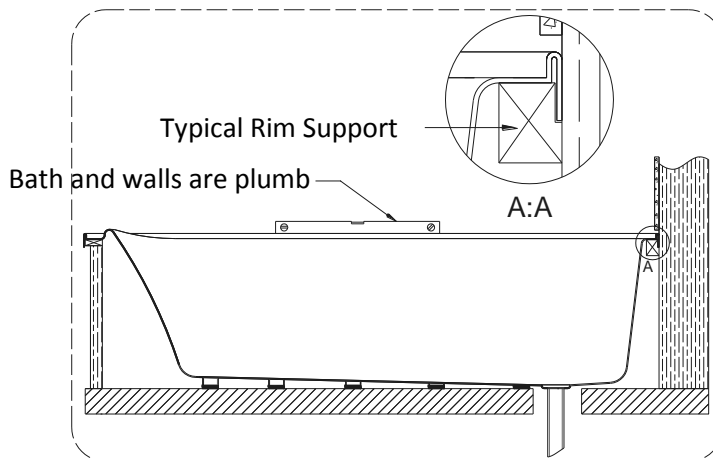


Fig1

(Two sides two ends) The timber support framing should be approximately 75mmx40mm gauge (this may vary depending on bath model) also this can change if the bath is recessed into the wall slightly. What is **important to know** is the type of panel finishing around the exposed sides of the bath that is to be used. If tiles the gap between the underside of the rim will be larger than if a thin panel lining. Note **FIG 2A** and **2B**, **2A** is set for tile backing board and tiles, **FIG2B** is set for a type of hardboard panel. Once all this is determined build a support cradle as shown in **FIG5**.

Prepare the wall and floor ready for bath and lining installation.

Ensure a noggin batten is in place to support the GIB at the bath rim top where it has been cut away between studs.

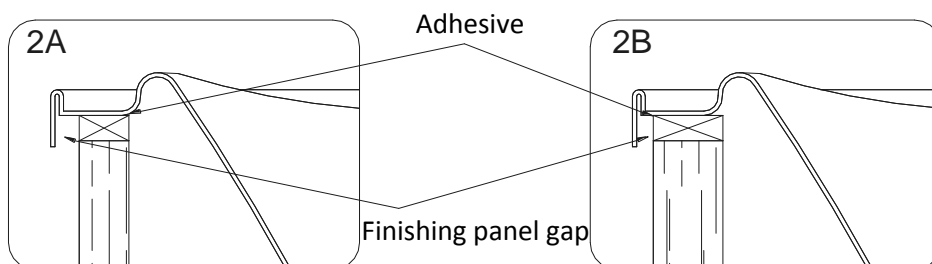


Fig2

Bath Installation Notes

The base of the bath must be fully supported onto the floor through all PVC feet and adhesive used to glue the bath support feet to the floor. **FIG3**

The tiles or liner backing Gib must fit as shown in **FIG3 A:A**, If the wall lining or tiles can't be correctly fitted down to the base of the up stand as shown due to a bow in the wall or a thin fibrous backing board being used the bath may need slightly checking into the wall studs .Example **FIG4B**

Make a test fitting prior to final installation of the bath to ensure it will correctly fit in place and be fully supported. The waste should be sealed, permanently fitted and lined up before doing this. Double check according to instructions the bath is plumb to walls and level. **FIG1**

Remove the bath to place generous adhesive to the support feet, **FIG3**, over all the under rim support frame so the bath is glued to the support frame, **FIG4**, then ease the bath permanently into place and firmly weight the bath down.

IMPORTANT NOTICE

The bath must be installed level on all top edges, the bath base and bath rim must be fully supported, or warranty may be void.

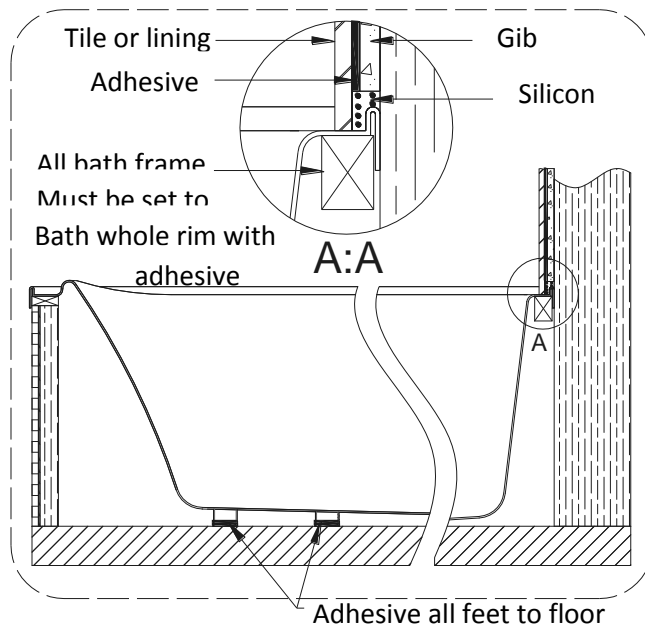


Fig3

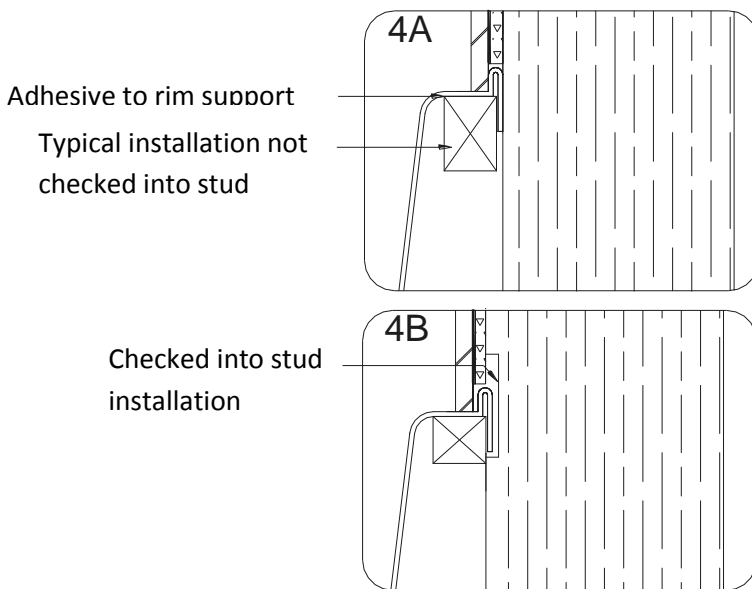


Fig4

FITTING THE WALL LINING IF APPLICABLE

1. The wall lining size must match the bath you have purchased.
2. Fit the lining into position without any adhesive making sure it sits simply and correctly into place against the Gib wall and evenly onto the bath at the base of the up stand. (The Gib backing must be original, no paint or plaster)
3. Once satisfied the wall liner is correctly and fully into position (pushed tightly into corner) run a pencil line around the perimeter of the lining. **FIG5**. Within the pencil line where the acrylic wall will be attached ensure the Gib is screwed or clout nailed at 200mm centers.
4. Using the pencil line measure the position onto the lining of any fittings requiring holes to be made in the lining such as mixer / taps, shower rose. **FIG6**. Then make the correct sized holes in the lining to match your chosen fittings.
5. Check the lining onto the wall again to ensure fittings and liner are positioned correctly.
6. Use the correct lining adhesive supplied to run beads of adhesive in the following pattern. Approximately 20mm in from the pencil line run a bead of adhesive. Continue then to infill with adhesive at about 100mm centers. Continue till the complete area where the wall liner fits is in-filled correctly. **FIG7**
7. Make a silicon bead as in **FIG8** all the way around the bath up stand where the liner will be positioned to give a water tight seal between the bath up stand and the lining when fitted into place. Make sure the silicon is generous were the GIB meets the bath up stand.
8. Fit the wall liner into place and smooth out with a clean rag.
9. Fill around the top and ends of the liner with a paintable sealer.
10. Clean up any excess silicon etc.
11. Remove protective film from the liner and fit fittings.

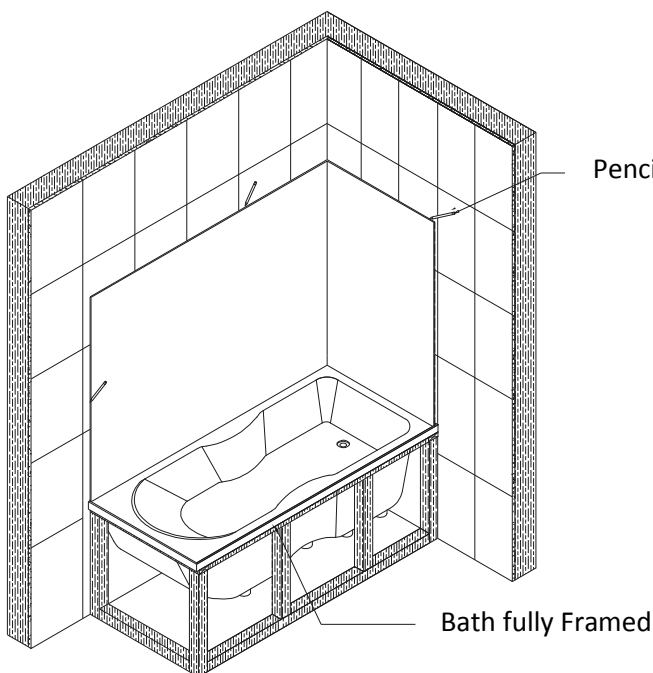


Fig5

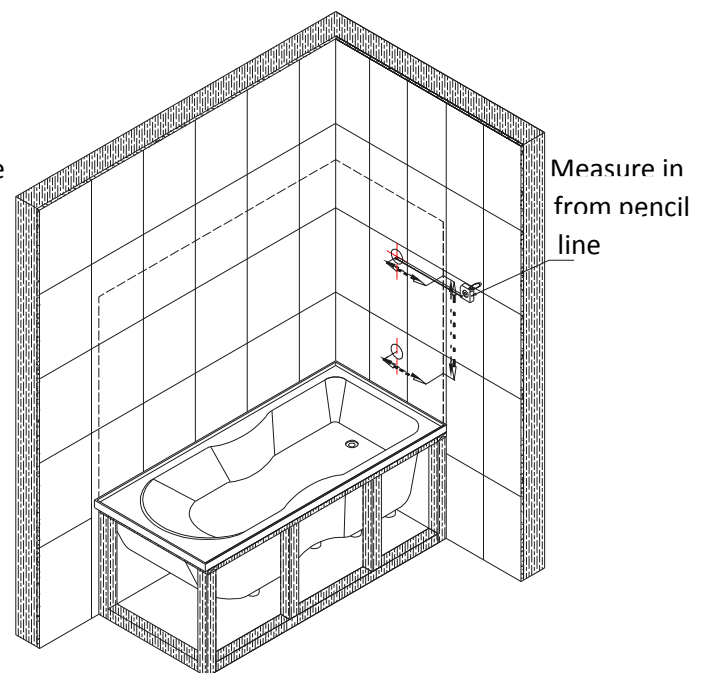


Fig6

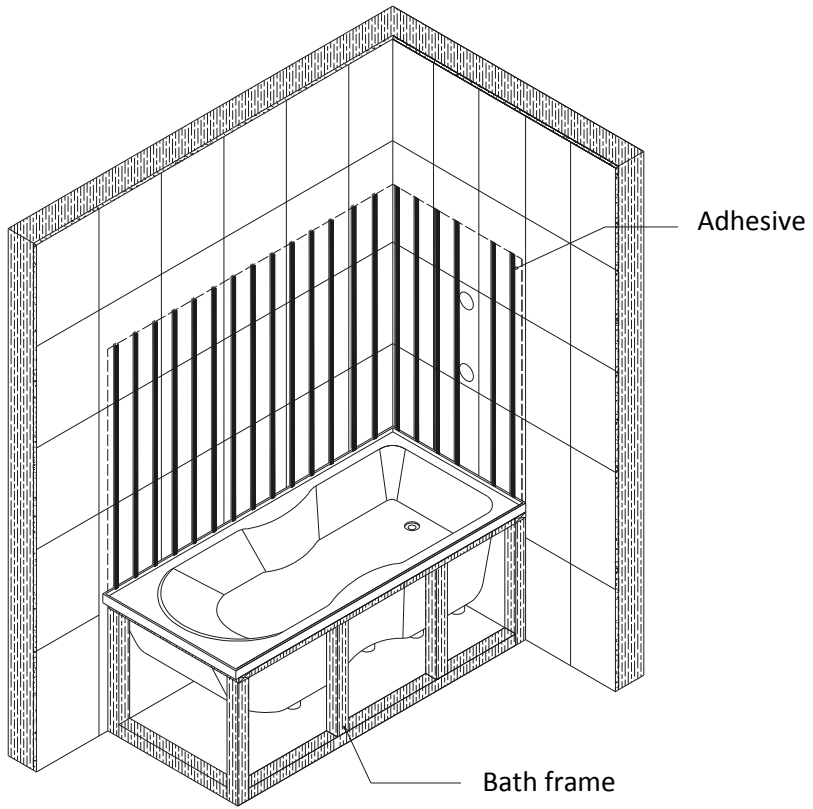


Fig7

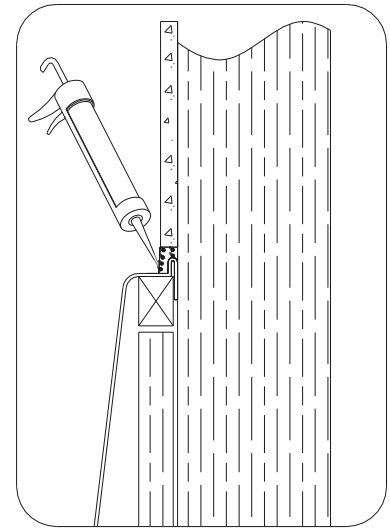


Fig8

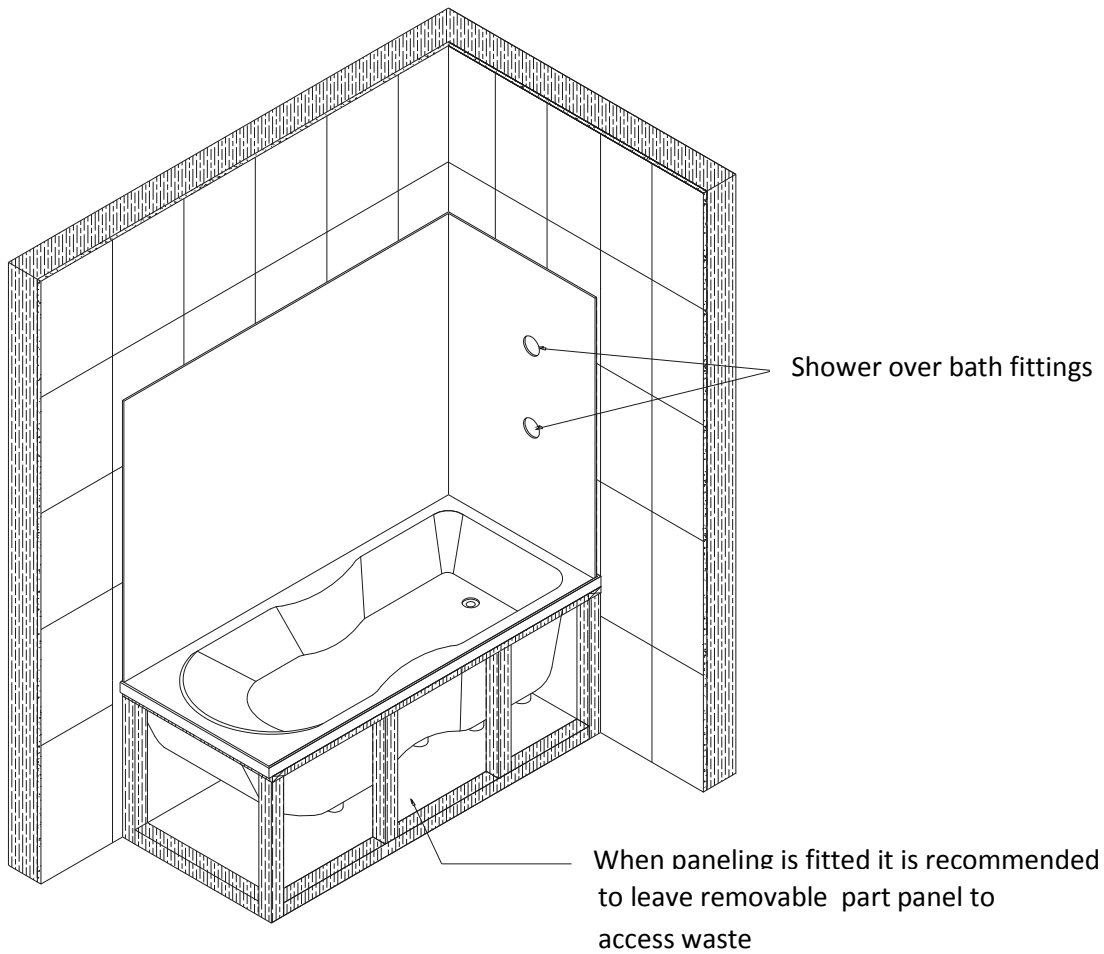


Fig9

DRILLING AND CUTTING ACRYLIC IF REQUIRED

- Small holes can be drilled with a twist drill, but back off the cutting edge of the drill. (the sharp cutting edge must be dulled)
- Larger holes must be drilled with a fine tooth hole saw.
- Always drill from the acrylic surface.
- Use a hand fine tooth hacksaw blade if any recess cut is required.
- Do not use and electric jig saw on acrylic.

WARNING

INSTALLER LEAVE THIS INSTRUCTION WITH THE HOME OWNER

SAFETY AND ACRYLIC SURFACE CARE

- When running water into the bath always run cold water first, then blend in the hot water. This reduces the risk of burns and also protects the acrylic surface. NZ building code sets hot water cylinders at 60 deg C. It gives the running temperature into showers, baths, and wash basins at 55 deg C.
- Take extra precautions with wet back hot water systems over, temperature is common and can cause damage to the bath surface, or severe skin burns.

Cleaning Instructions

- There are cleaners on the market that are not suitable for cleaning acrylic.
- When purchasing cleaners make sure they are worded as suitable for acrylic baths, acrylic basins, and acrylic showers.
- Solvents, abrasive cleaners, must never be used on an acrylic installation.