

## INSTALLING A FRAMELESS LUXURY DOORSET ONTO TILES

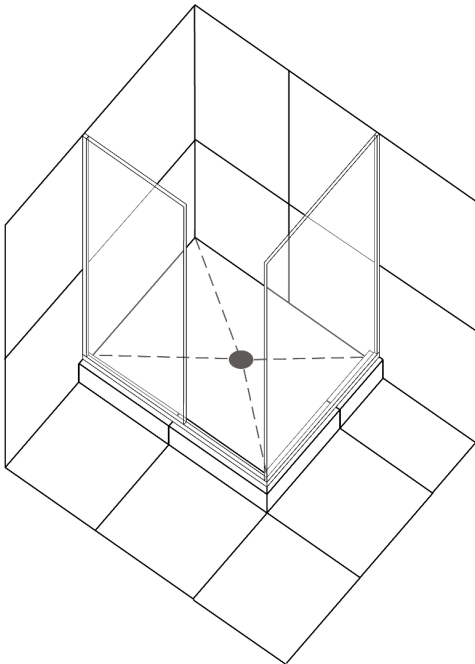
The Stellar Luxury 2000 Door and Return Set can be Installed directly onto a Tiled Floor and Tile Wall easily.

There are normally two types of tiled shower installation -

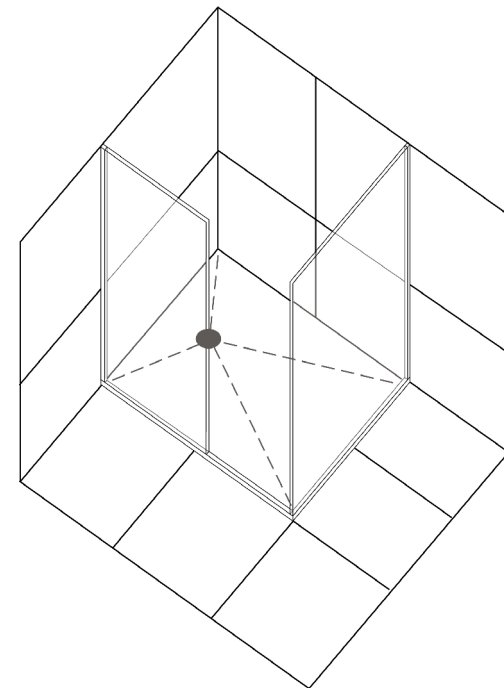
Type 1 - a "tile hob" installation, where a raised perimeter is made around the shower floor provide containment of water, and to allow a section of floor which has "fall" for drainage back to the waste outlet. See Example 1

Type 2 - a "level" entry floor which has tiles at the same level as the floor entering into the shower, then an area of tiles which have "fall" to for drainage back to the waste outlet. See Example 2

Example 1 - Tiled Hob Floor Installation



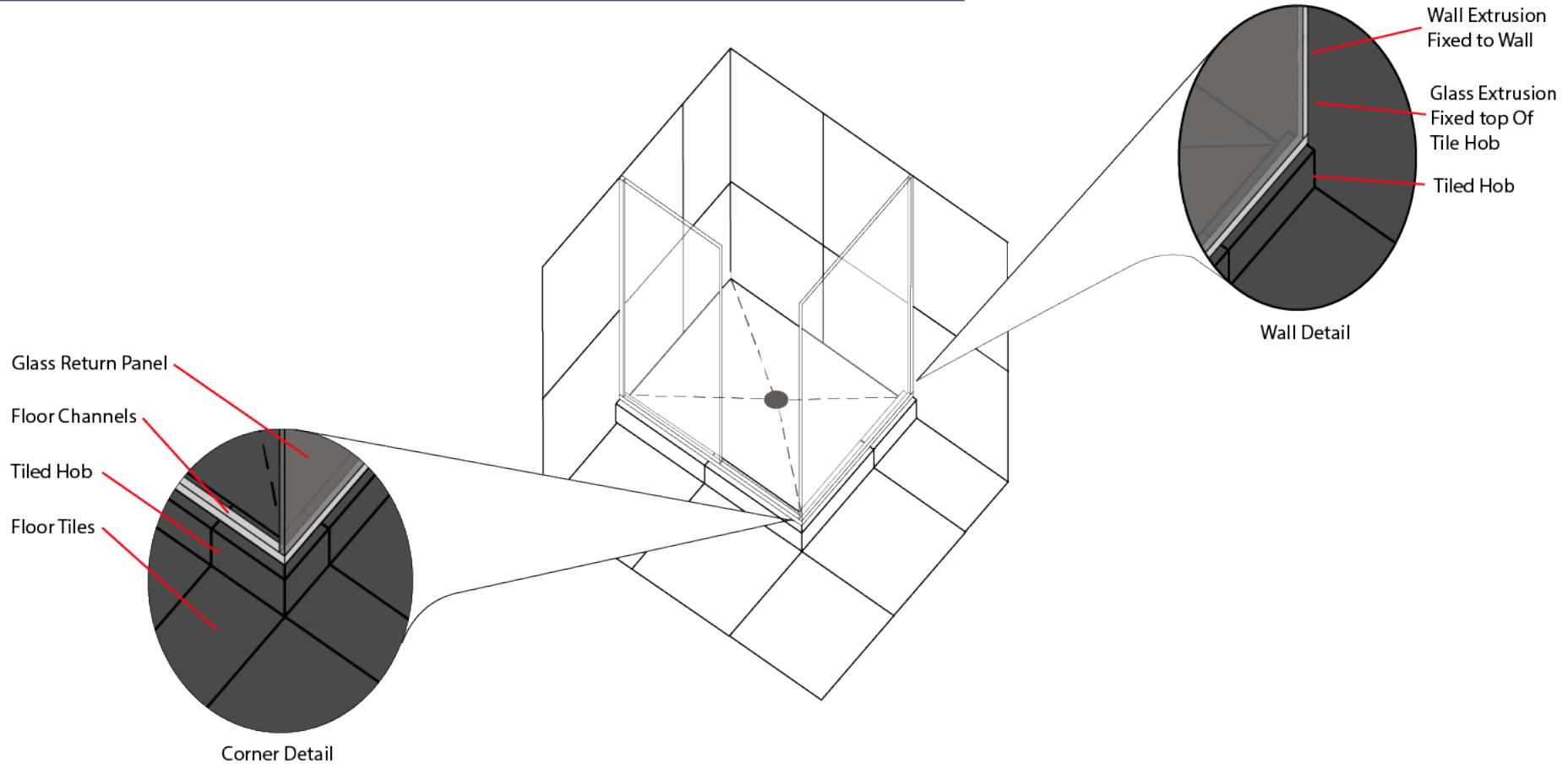
Example 2 - Level Entry Floor Installation



## “HOB” Floor tile Installation part 1

Below is pictured a “hob” tile floor installation. There is a raised area around the perimeter of the shower which is tiled. These tiles are layed in a position which allows the Door and Return extrusions to sit directly on top of the hob, and parallel the the Internal Shower walls.

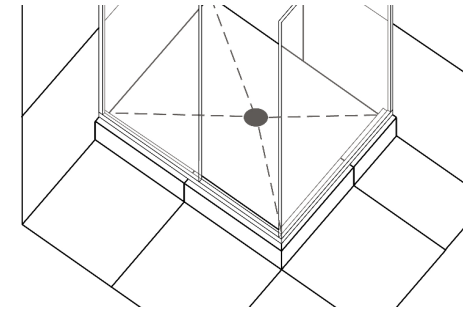
The wall extrusions are then installed directly above and inline with the floor extrusions. Glass and then all hardware can be installed to complete.



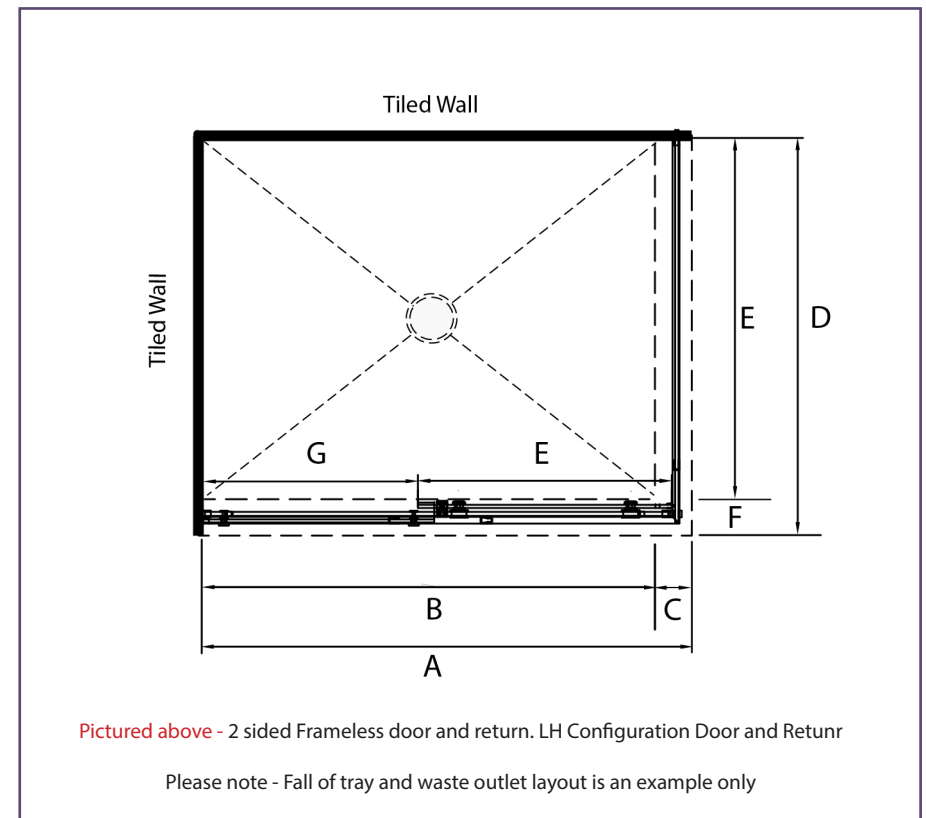
## “HOB” Floor tile Installation part 2

As the Door and Return set is manufactured to a specific dimension and is non adjustable, it is **critical** to ensure all dimensions and setout of walls and floor tiling is correct.

Below is a dimension guide for our 4 sizes of door/return set in 2 sided form  
Please note all Dimensions are to the “FINISHED TILE” surface.  
This is very important as tile thickness varies



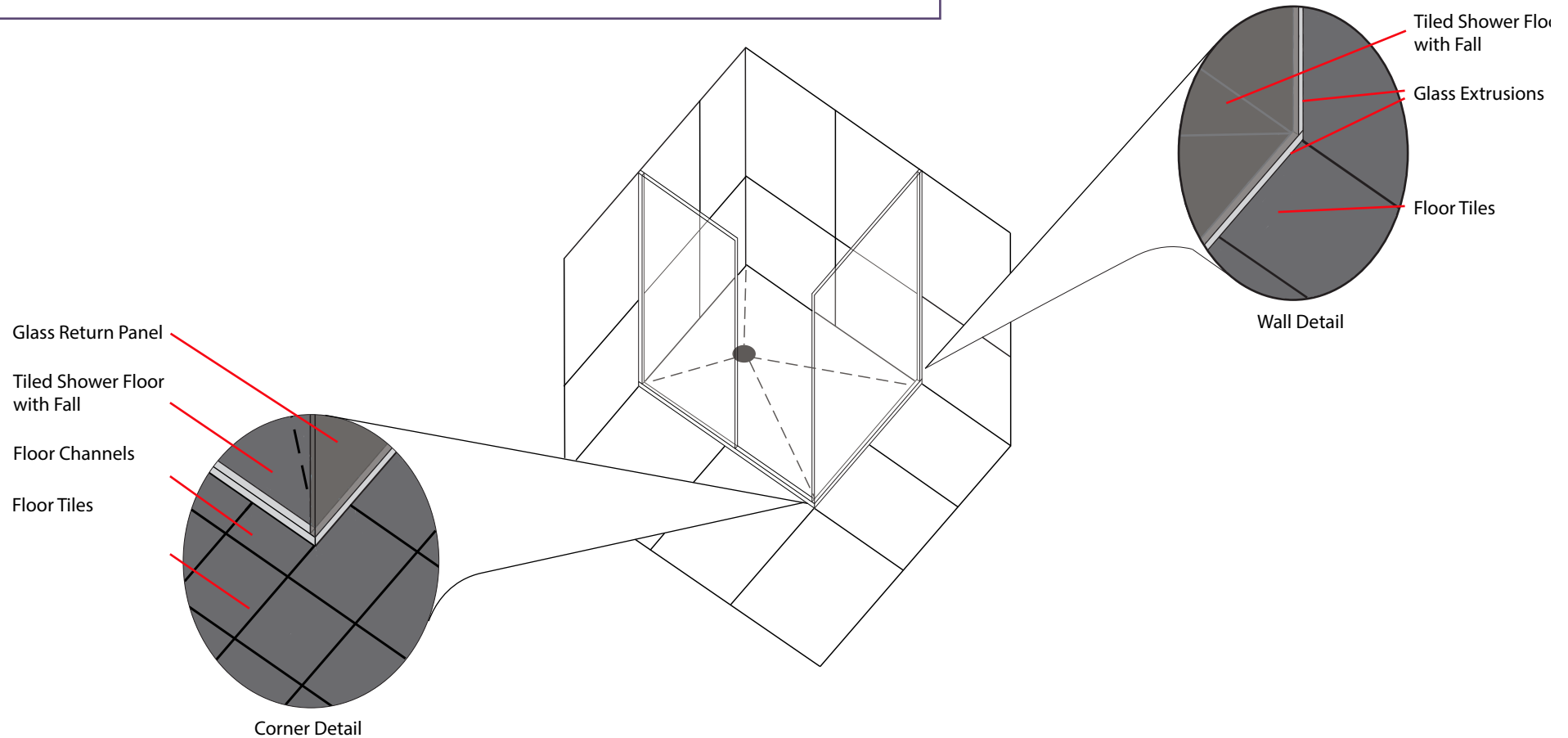
Dimension	Description	Shower Size			
		1200x800	1200x900	1200x1000	1400x1000
A	Finished Wall to Outer Edge of Hob (minimum) - Door Side	1190mm	1190mm	1190mm	1390mm
B	Finished Wall to Inner Edge of Hob (maximum) - Door Side	1150mm	1150mm	1150mm	1350mm
C	Hob Width (minimum)	40mm	40mm	40mm	40mm
D	Finished Wall to Outer Edge of Hob (minimum) - Large Return Side	790mm	890mm	990mm	990mm
E	Finished Wall to Inner Edge of Hob (maximum) - Large Return Side	750mm	850mm	850mm	950mm
F	Hob Width (minimum)	40mm	40mm	40mm	40mm
G	Small Return Panel Width	562mm	562mm	562mm	562mm
H	Door opening +/- 10mm	540mm	540mm	540mm	640mm



## “Level Entry” Floor tile Installation part 1

Below is pictured a Level Entry Tiled floor installation. This means the Tiled surface runs throughout the bathroom floor, and falls down into the waste outlet position.

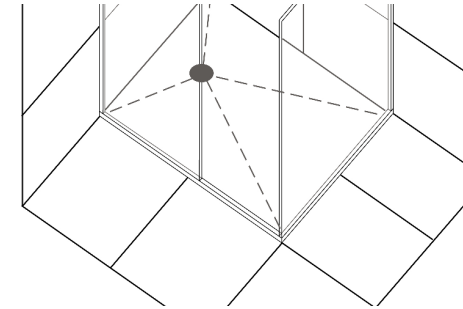
To install our door set onto this type of floor it is critical the tiles run at floor level and are flat under the Floor extrusions. Once inside of the perimeter of the floor extrusions, fall can be formed to the floor to allow for drainage to the waste outlet.



## “Level Entry” Floor tile Installation part 2

As the Door and Return set is manufactured to a specific dimension and is non adjustable, it is critical to ensure all dimensions and setout of walls and floor tiling is correct.

Below is a dimension guide for our 4 sizes of door/return set in 2 sided form  
Please note all Dimensions are to the “FINISHED TILE” surface.  
This is very important as tile thickness varies



Dimension	Description	Shower Size			
		1200x800	1200x900	1200x1000	1400x1000
A	Finished Wall to Start of Floor Fall (Maximum) - Door Side	1190mm	1190mm	1190mm	1390mm
B	Finished Wall to Start of Floor Fall (Maximum) - Return Side	750mm	850mm	850mm	950mm
C	Small Return Panel Width	562mm	562mm	562mm	562mm
D	Door opening +/- 10mm	540mm	540mm	540mm	640mm

