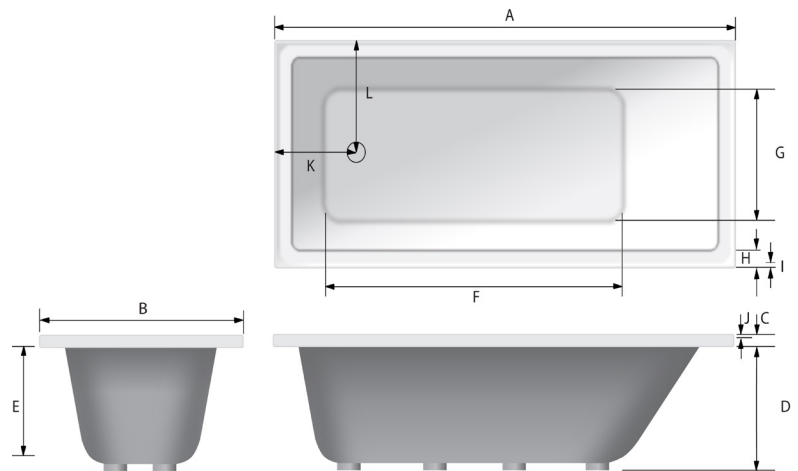


Vida Bath



Pictured - Vida 1675mm Bath

SKU - **BTHVIDA1675**

DESCRIPTION

The Vida Bath can be purchased as a bath only in 3 size variations.

Vida can also be purchased as a Shower / Bath Package.

The Bath is designed with a 15mm upstand around its complete perimeter to aid waterproofing between the bath and the wall lining.

The upstand is tightly pressed to make liner fitting easy, and also provide a square edge to bring waterproofing tapes and tiles down to.

The Vida Bath features solid mounted support feet which must be attached to the floor or to solid packers to support the base of the bath.

FEATURES

- Bath surface is 100% solid acrylic - most robust material for long term reliability
- 15mm pressed upstand around perimeter of bath
- Generous bathing / showering area
- Fibreglass reinforced
- Contoured for comfortable bathing
- Bath stands on levelling support feet
- Height - 470mm

LEGEND

Dimension	Description	Bath Size		
		1525mm	1675mm	1800mm
A	Bath Length	1525mm	1675mm	1800mm
B	Bath Width	760mm	760mm	760mm
C	Lip Height	40mm	40mm	40mm
D	External Depth (less lip, incl feet) +/- 3mm	430mm	430mm	430mm
E	Internal Depth (less lip)	420mm	420mm	420mm
F	Internal Length of Floor	1025mm	1180mm	1300mm
G	Internal Width of Floor	440mm	440mm	440mm
H	Rim Width	80mm	80mm	80mm
I	Upstand Thickness +/- 2mm	7mm	7mm	7mm
J	Upstand Height	15mm	15mm	15mm
K	Waste Depth to edge of Bath	290mm	290mm	290mm
L	Waste Width to edge of Bath	380mm	380mm	380mm

ORDERING CODES

Description	SKU
1525mm x 760mm x 470mm Cubit Bath Only White	BTHVIDA1525
1675mm x 760mm x 470mm Cubit Bath Only White	BTHVIDA1675
1800mm x 760mm x 470mm Cubit Bath Only White	BTHVIDA1800

WARRANTY INFORMATION

All bathroomware products supplied by Nouera Shower Systems carry our Quality Assurance and Product Warranty. We use the highest quality materials available and manufacture these in accordance with New Zealand specifications and requirements to ensure that all products are fit for the intended purpose for which they are designed. Our customers peace of mind is of paramount importance to us.

Warranty Periods

Showers	10 years
Drop In baths	10 years
Shower Screens and Doors	10 years
Black Coating on Framework	5 years
Freestanding Baths	5 years
Dezine Range Showers	5 years
Accessories	2 years

Warranty Exclusions

The product must be installed according to the instructions supplied.

The water supply temperature applied to the product must not exceed 55 degrees Celsius.

Commercial applications (where products are installed in a building where occupancy is via a commercial arrangement i.e. rental property, hotel, hostel etc.) are restricted to a 2 year warranty on all products.



PRODUCT MAINTENANCE

Bathroom products are used often and the following is our suggestion on how to clean and care for them.

Shower Wall

We use Durosan premium quality sanitaryware grade Acrylic. It is, by design, very robust and chemical resistant. A soft damp cloth with non-abrasive cleaners should be used. Use only non-abrasive cleaners that are recommended for acrylic products.

Shower Tray and Bath

We manufacture our Shower Trays and Baths using a Solid Acrylic Surface. Most other shower trays are manufactured using a veneer acrylic surface. The great advantage is that small scratches can be removed easily by using fine cutting compound. Again the same basic cleaning methods as the wall are recommended.

Shower Doors and Glass

All glass is compliant to AS/NZS 2208. We suggest that the glass surfaces are wiped down or squeegeed following use to remove excess water. For best results use a trusted glass cleaner.

Metal framework

Should be cleaned using a soft damp cloth with non-abrasive cleaner. Note that on round showers, the bottom rollers are easy release for ease of cleaning. If chemical spray cleaners are used, avoid direct contact with the rollers and guides and ensure the shower is rinsed off to avoid residue build up.

Weather seals and drip strips

Can be removed if required for cleaning, and can be replaced when they no longer look their best. Refer to the spare parts and accessories section of our website for more details.

Note - If the Glass has been treated follow specific cleaning instructions from the system provider.