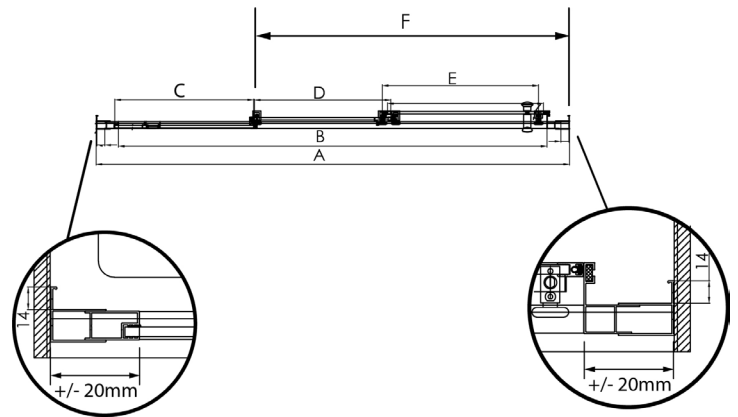


3 PANEL STACKER DOOR



Pictured above - 3 Panel Stacker Door Silva



DESCRIPTION

The Symphony 3 Panel Stacker Door can be purchased on its own and is a perfect door replacement when renovating an existing Alcove Shower.

A Return Panel can also be added to create a custom 2 Sided Shower.

FEATURES

- Internal slider
- Door is reversible and can open left to right or right to left
- Standard heights 1950mm/1830mm
- No door swing out into the bathroom dripping water onto the floor
- Water drains back into the shower
- Door panels go behind the bottom extrusion
- No splash-back out the bottom of the shower door
- Low profile extrusion to and bottom to hold wheels
- Approx 15mm adjustment allowing for out of plumb walls
- Stylish chrome handle
- New roller assembly ensures greater reliability and smooth functionality
- 6mm Safety Glass compliant to AS/NZS2208
- Silva finish only

LEGEND

Dimension	Description	Door Size		
		900mm	1000mm	1200mm
A	Maximum Outside Frame Width	880mm	980mm	1180mm
B	Internal Frame Width	768mm	868mm	1068mm
C	Fixed Panel Width	246mm	280mm	346mm
D	Centre Sliding Panel Width	240mm	273mm	340mm
E	Outer (handle) Panel Width	289mm	322mm	288mm
F	Door Opening Dimension	417mm	484mm	617mm

ORDERING CODES

Product Description	SKU		
	900mm	1000mm	1200mm
Door Only Silva (LH/RH Reversible) 1830mm High	3614439	3614440	D3PS1200S118
Door Only Silva (LH/RH Reversible) 1900mm High	D3PS900S1195	D3PS1000S1195	D3PS1200S1195

WARRANTY INFORMATION

All bathroomware products supplied by Nouera Shower Systems carry our Quality Assurance and Product Warranty. We use the highest quality materials available and manufacture these in accordance with New Zealand specifications and requirements to ensure that all products are fit for the intended purpose for which they are designed. Our customers peace of mind is of paramount importance to us.

Warranty Periods

Showers	10 years
Drop In baths	10 years
Shower Screens and Doors	10 years
Black Coating on Framework	5 years
Freestanding Baths	5 years
Dezine Range Showers	5 years
Accessories	2 years

Warranty Exclusions

The product must be installed according to the instructions supplied.

The water supply temperature applied to the product must not exceed 55 degrees Celsius.

Commercial applications (where products are installed in a building where occupancy is via a commercial arrangement i.e. rental property, hotel, hostel etc.) are restricted to a 2 year warranty on all products.



CLEANING AND MAINTENANCE

Bathroom products are used often and the following is our suggestion on how to clean and care for them.

Shower Wall

We use Durosan premium quality sanitaryware grade Acrylic. It is, by design, very robust and chemical resistant. A soft damp cloth with non-abrasive cleaners should be used. Use only non-abrasive cleaners that are recommended for acrylic products.

Shower Tray and Bath

We manufacture our Shower Trays and Baths using a Solid Acrylic Surface. Most other shower trays are manufactured using a veneer acrylic surface. The great advantage is that small scratches can be removed easily by using fine cutting compound. Again, the same basic cleaning methods as the wall are recommended.

Shower Doors and Glass

All glass is compliant to AS/NZS 2208. We suggest that the glass surfaces are wiped down or squeegeed following use to remove excess water. For best results use a trusted glass cleaner.

Metal Framework

Should be cleaned using a soft damp cloth with non-abrasive cleaner. Note that on round showers, the bottom rollers are easy release for ease of cleaning. If chemical spray cleaners are used, avoid direct contact with the rollers and guides and ensure the shower is rinsed off to avoid residue build up.

Weather Seals and Drip Strips

Can be removed if required for cleaning, and can be replaced when they no longer look their best. Refer to the spare parts and accessories section of our website for more details.

Note - If the Glass has been treated follow specific cleaning instructions from the system provider.