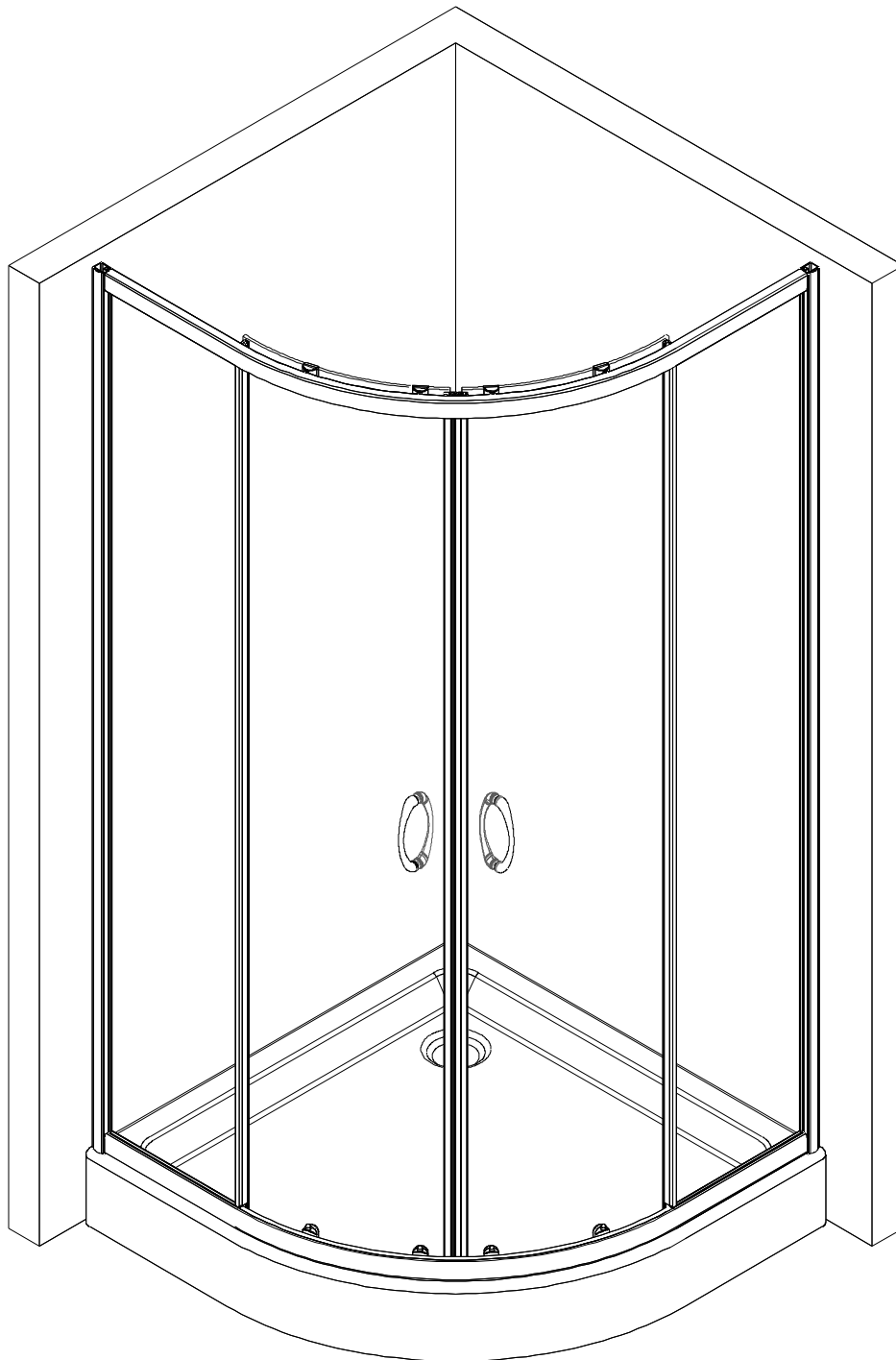
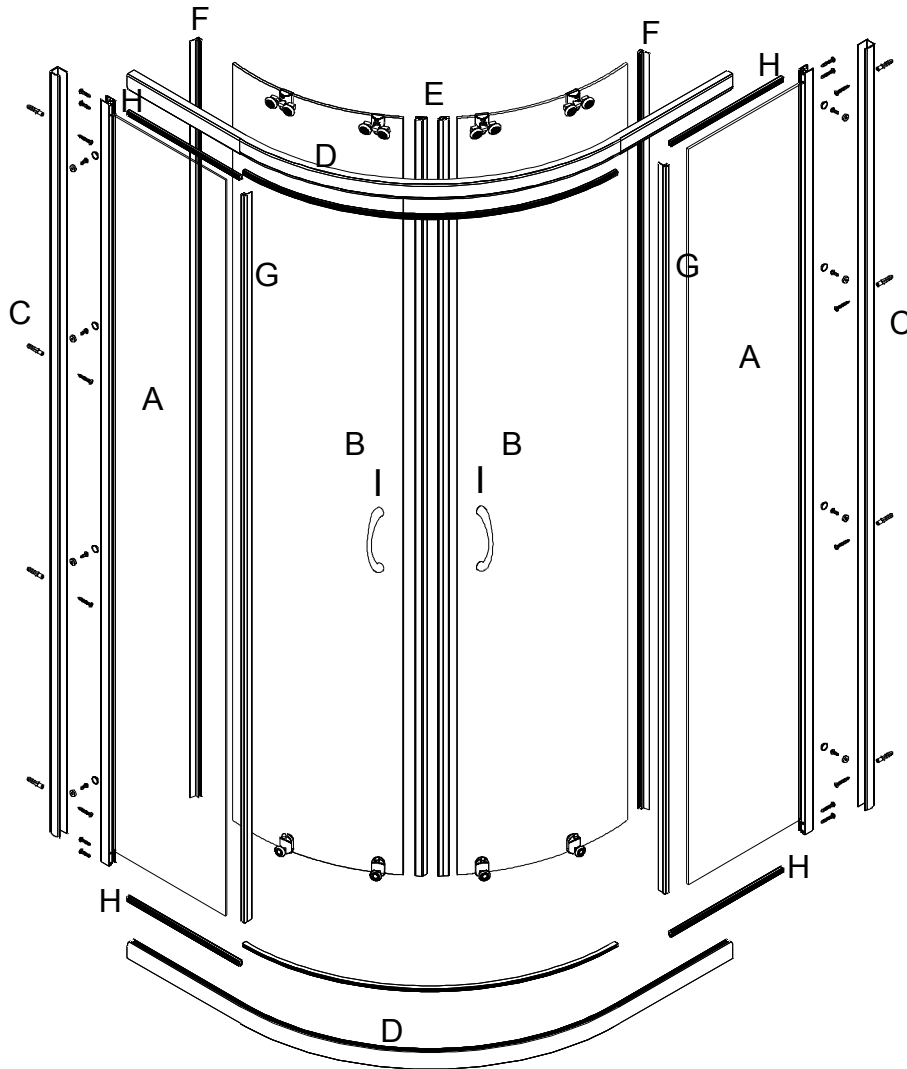


SHOWER INSTALLATION INSTRUCTION




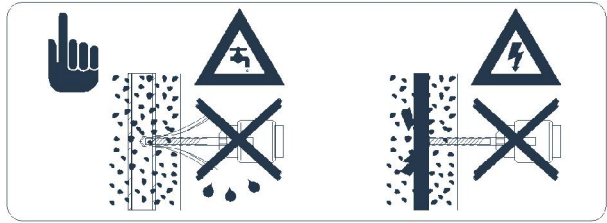
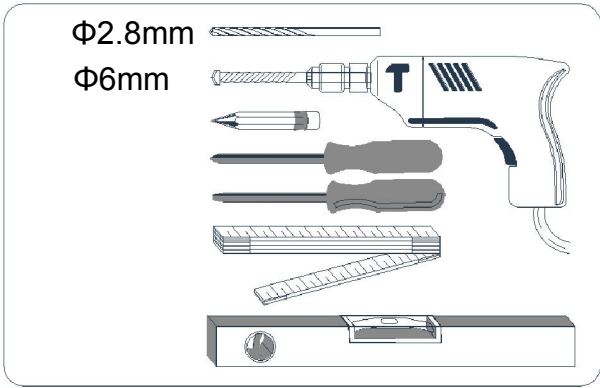
ASSEMBLY INSTRUCTIONS

PARTS

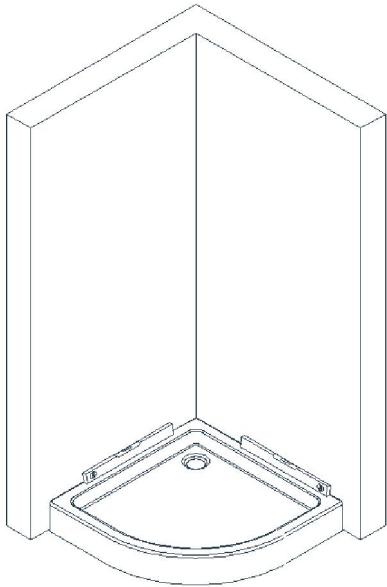


NO	A	B	C	D	E	F	G	H	I
PIECES	2	2	2	2	2	2	2	4	2

NO	DESCRIPTION	PIECES	NO	DESCRIPTION	PIECES	NO	DESCRIPTION	PIECES
①		4	④		8 4.2*30	⑦		8
②		4	⑤		8 4.2*25	⑧		4
③		2	⑥		8 4.2*10			



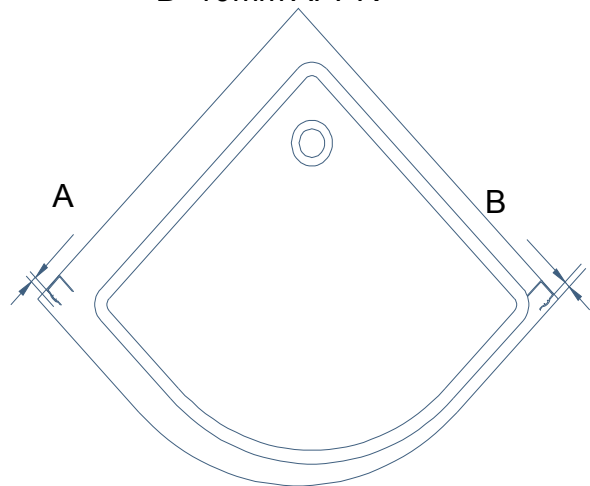
1



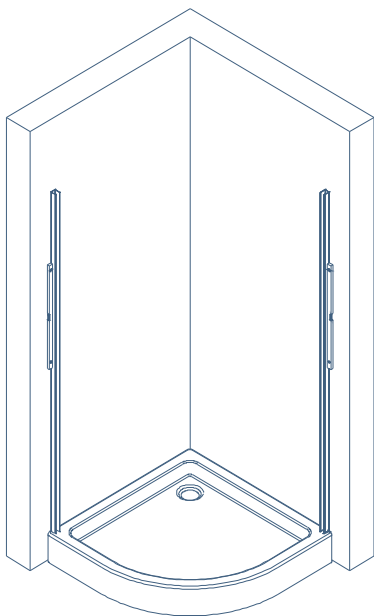
2

A=10mm APPR

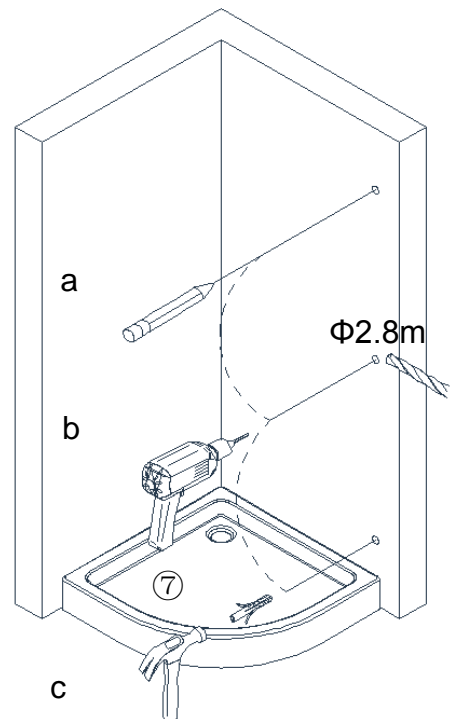
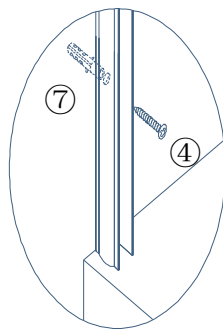
B=10mm APPR



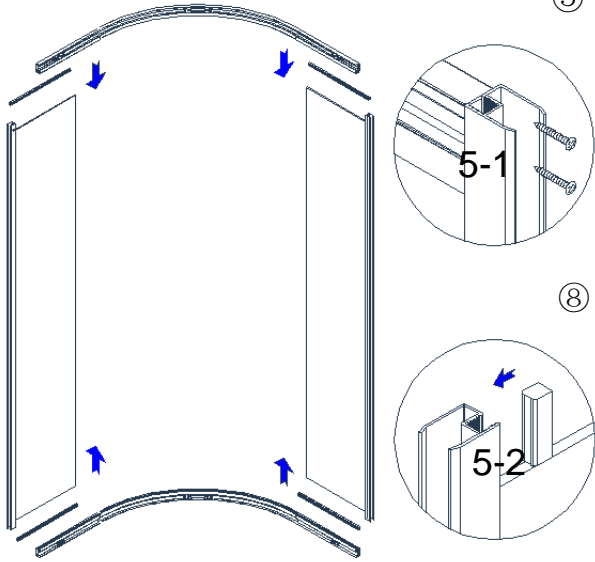
3



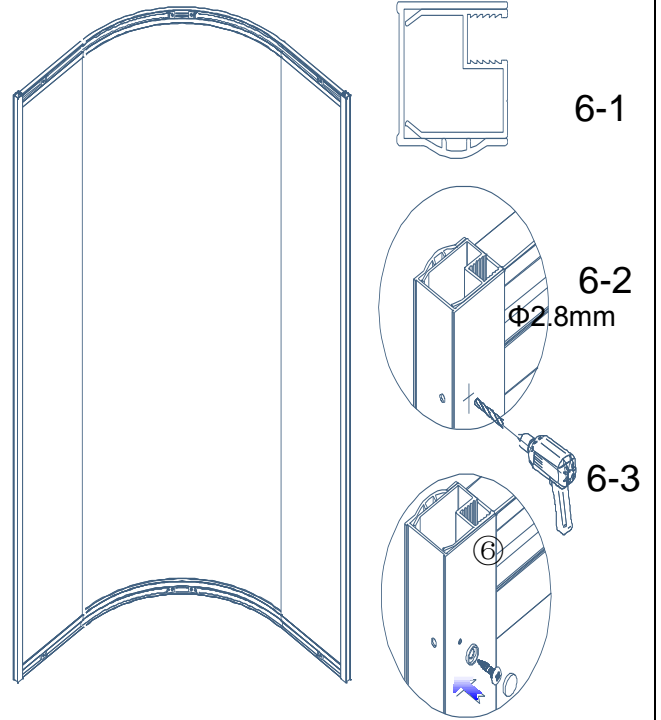
4



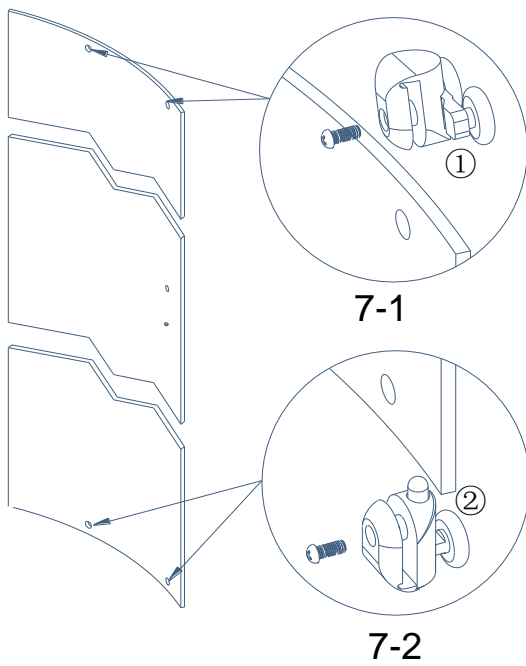
5



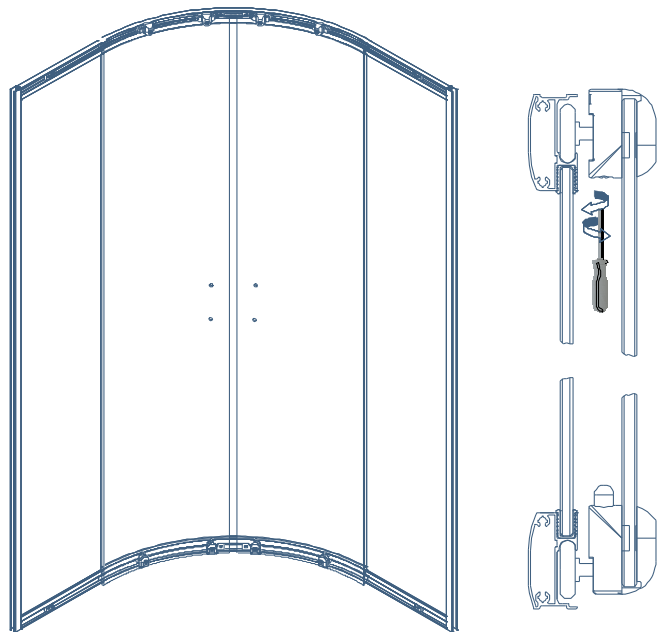
6



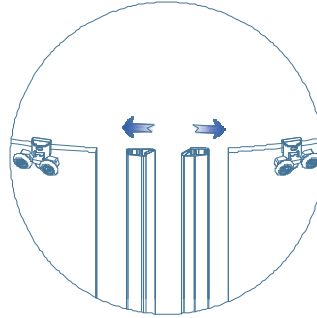
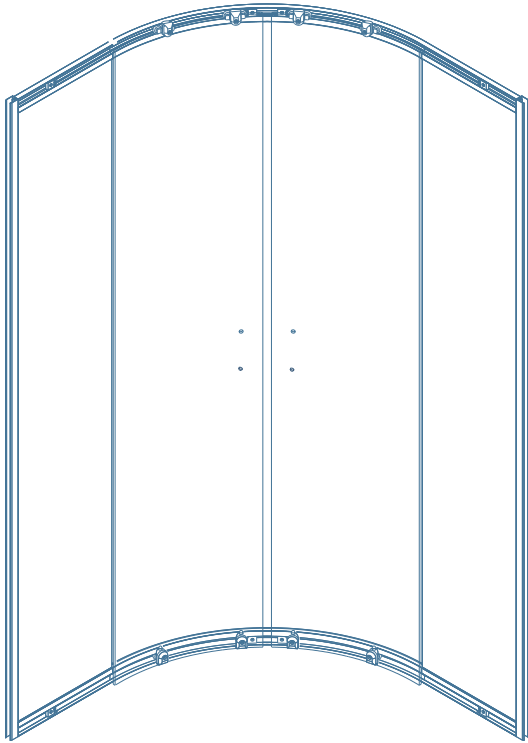
7



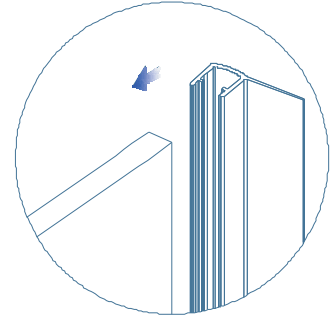
8



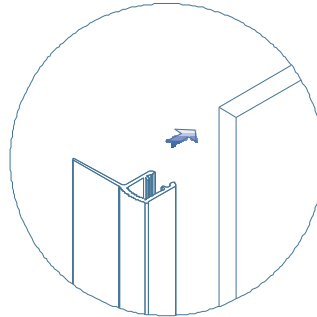
9



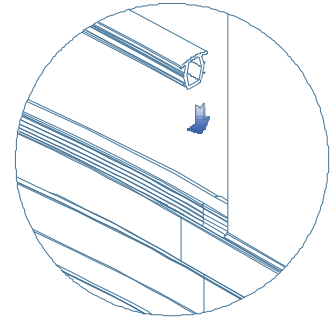
9-1



9-2

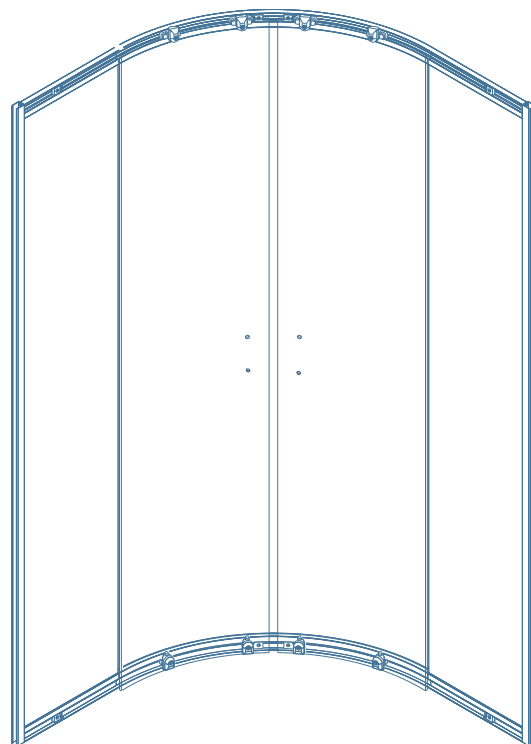
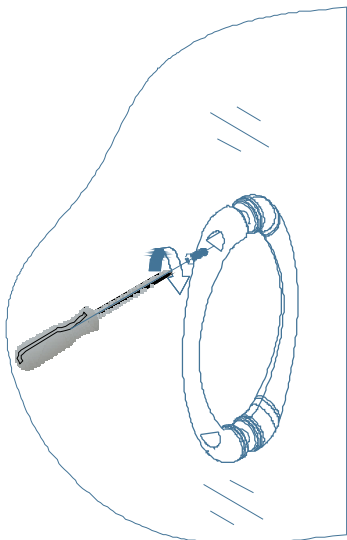


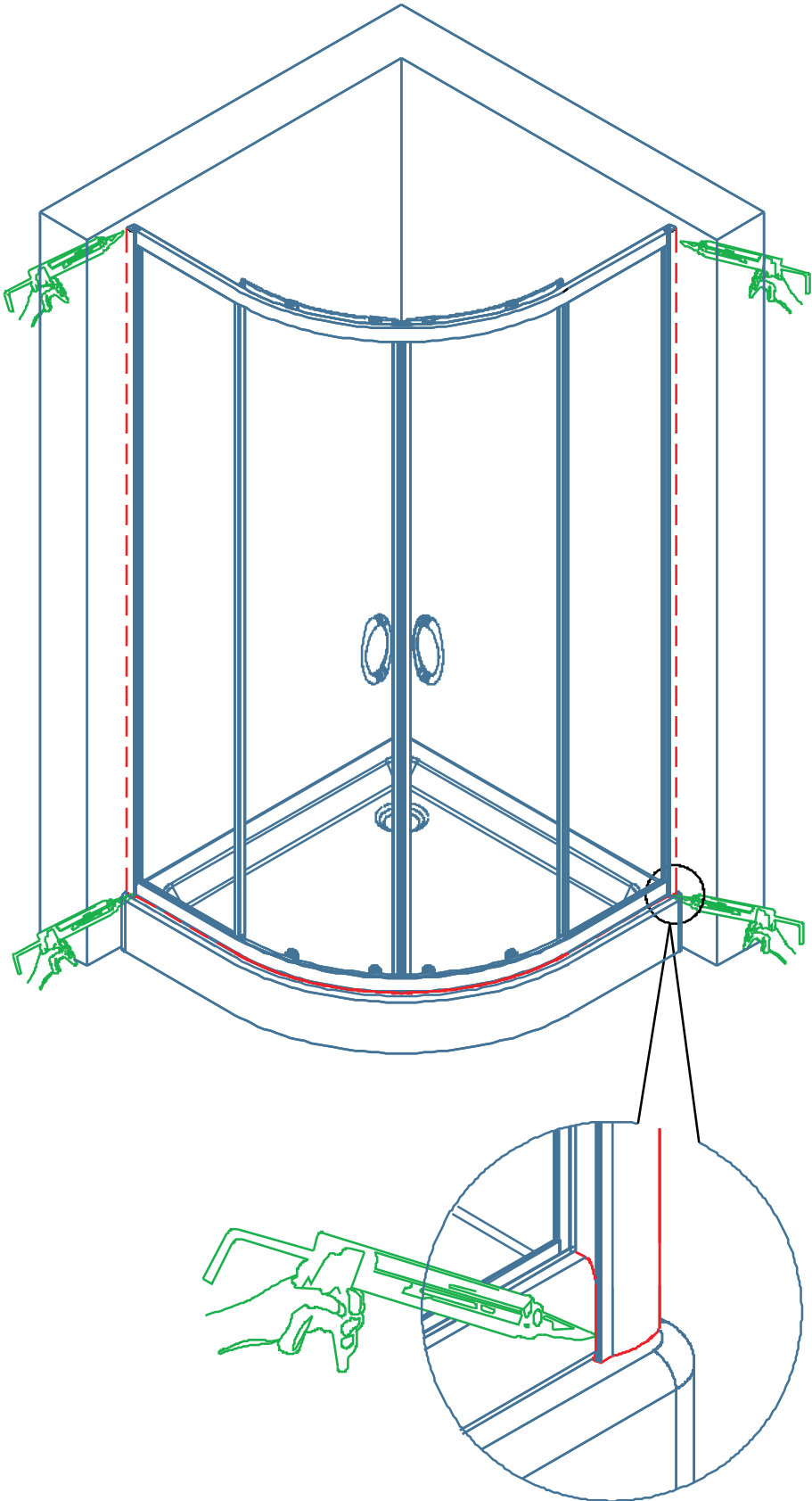
9-3



9-4

10





INSTALLATION

BEFORE INSTALLING THE DOOR,THE SHOWER BASE&WALL LINER MUST BE ALREADY INSTALLED IN ACCORDANCE WITH THE SEPERATE INSTALLATIONS.

1. Measure approximately 10mm in from the edge of the shower base and mark this position(both sides).Then place the Wall Receiver in position and level vertically.(Page 3 fig3).Drill holes using 2.8mm Drill bit.(Solid fixing to nogs is preferred).However if nog is not available enlarge the hole to 6mm to receive the plug. Note that the Wall Receivers are pre drilled. With the 6 ST4x30S/S screws supplied(Page2 item4) fix the wall receivers. It is advisable to apply a small "Eye Brow" of Silicone Sealer above each screw prior to fixing. Apply Silicone to the screw thread also.
2. Identify the Top and Bottom Curved Rails. These should be clearly marked. The Flat Glass Panels can be installed to the Top and Bottom Curved Rails.(Page4 fig5).To avoid possible damage to the Silicon Seal(Fitted to the Curved Rail Ends) slide the Flat Glass Panels into the Top and Bottom Curved Rails leaving a small gap between the Rail Ends and the Flat Glass Panel Aluminum Extrusion. This is a firm fit so check that the Curved Rail is equal height to the Vertical Flat Glass Aluminium Extrusion. Then using the ST3.5x30S/S screws supplied (Page 2 item 5)secure the Curved Rails and Flat Panel Glass Assemblies.
3. This completed assembly (Page 3 fig4)can now be fitted to the Wall Receivers(already fitted).Note that this door assembly fits over both sides of the Wall Receiver. This allows correct fitting and adjustment. Note that it is a tight fit. You can give the top Wall Receiver a firm squeeze(by hand only)to aid the "start" of the fit. Do not do this to the bottom of the Wall Receiver.
4. Position the Door Assembly so that the Bottom Curved Rail is the best fit to the Shower Base. Attach the Curved Door Frame to the Wall Receivers by drilling holes(using 2.8mm drill bit)at the bottom corners first.(Inside of the shower).Best position is approximately 50mm up from the bottom of the Door Frame. Fix in place using the ST4x10 S/S screws supplied (Page 2 item 6).Once the two bottom corners are fixed check the vertical level and repeat the procedure for the 4 remaining screws.(Total of 6 screws).Cover the screws with the caps supplied.(Page 4 fig 6).
5. Assemble the Top and Bottom Door Roller Assemblies to the Curved Glass Doors.(Page 4).The Top Rollers are adjustable and the Bottom Rollers have a Spring Release. With great care hang the curved door on to the Top Curved Rail. This is easiest done by standing inside the shower. Tilt the top of the Curved Glass Door away from you to achieve an angle and fit the Top Rollers into the Top Curved Rail Track. Once the rollers are securely in position allow the door to hang. Step outside the shower and push down the centre release button(of the bottom roller) and pull the door back towards you. Slide the roller under the bottom guide of the Curved Door Frame.

Note you may need to adjust the Top rollers to achieve this(see Door Adjustment Procedure).Repeat this procedure for the other Round Glass Door.

6. Attach Weather Seals. The longer ones are for the Curved Round Glass Doors and the shorter ones are for the Flat Glass Panels. Attach the Magnetic Seals (if not already fitted)All of these Seals require a firm fit. Do not reverse the Magnetic Seals.
7. Fix the Handle Assemblies to the two Curved Glass Doors. Do not over tighten.
8. DOOR ADJUSTMENT. Using a Medium Phillips screw driver turn the Top Roller Adjustment Screw. Each Top Roller has adjustment. Firstly check that the Bottom Rollers can be released(for cleaning purpose).If this can not be achieved adjust the Top Rollers to lower the Curved Glass Door. Ensure that the Bottom ROLLERS release correctly. Repeat this procedure for both Curved Glass Doors. Once this "Coarse" adjustment is done slide the doors together and check that they meet evenly. Hold the two doors apart and finely adjust the Top Rollers to achieve an even gap just before the Magnetic Seal pulls them together. Check the doors for smooth and even operation.
9. SEALING OF THE SHOWER****IMPORTANT****

This is most important and should ONLY be preformed by an experienced Shower Installer. The Installer carries the guarantee of workmanship which covers the water proofing of the Shower Door. The following is a guide only and it must be understood that the Installer carries this responsibility.

Make a continuous seal of Silicone around the OUTSIDE of the shower only.(As per fig 14).No silicone should be applied to the inside of the shower. A neat finish can be achieved by carefully "masking" the join between the Aluminum Extrusions and the Acrylic Walls/Shower Base again as per fig 14. Apply a bead of Silicone around the perimeter as evenly as possible. Then using a "gloved" finger wipe along the length of the bead starting at the top on one side and working toward the other end. This wiping motion will further push the Silicone into the gap and create a good seal. Periodically wipe any excess away .If you have not done this before practice with a cardboard box or something similar.****IMPORTANT****The Masking tape must be removed prior to the Silicone curing.

Once the Masking Tape is removed any small imperfections should not be attended to until the Silicone has cured.

Helpful Hint: AS the door frame is metal and subject to condensation in low temperature no sealing should be attempted in very low temperatures. We recommend above 20 Degrees Celsius for good long term adhesion.

We recommend Silaflex NG Ice White. Refer to User Guide for specific information. Allow 24 Hours before use.