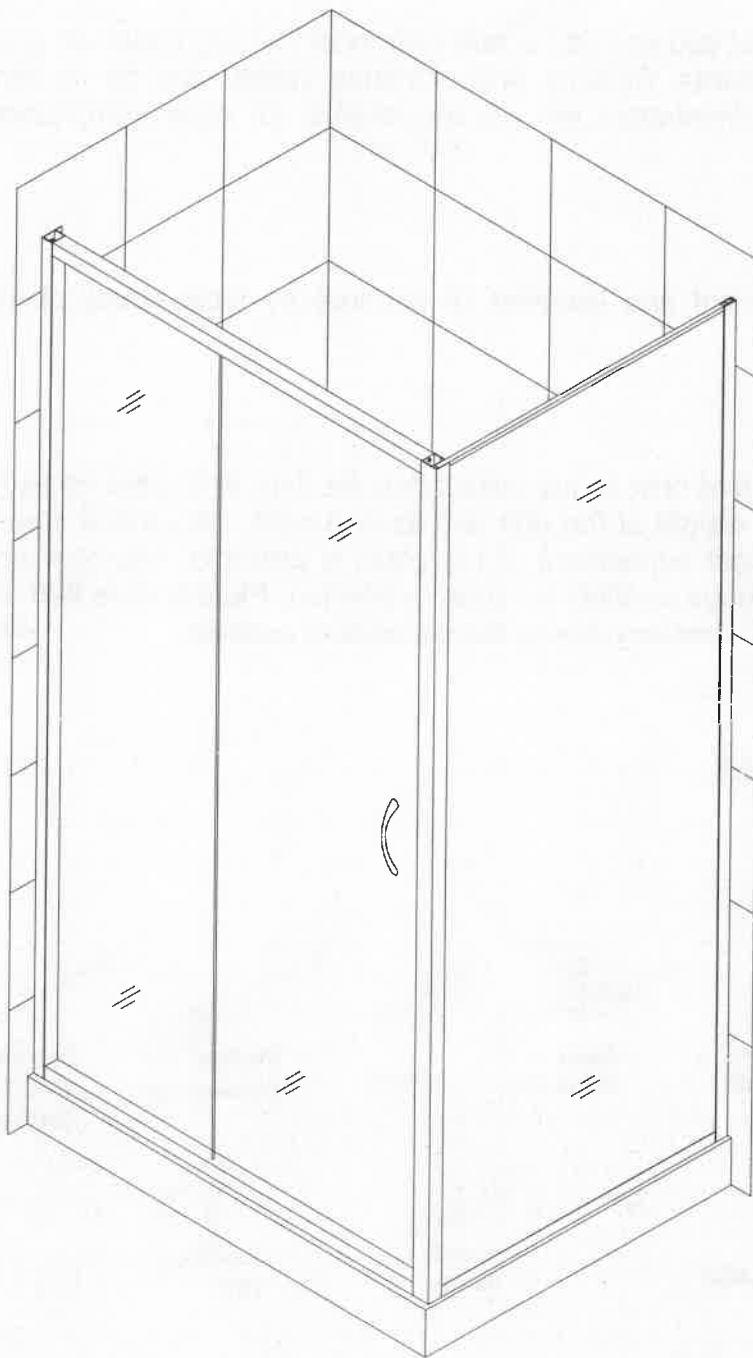


Shower Enclosure Installation Manual

IMPORTANT

Please read carefully the following instructions before installing your shower enclosure. If you have any questions on this shower enclosure installation - please call your local dealer.

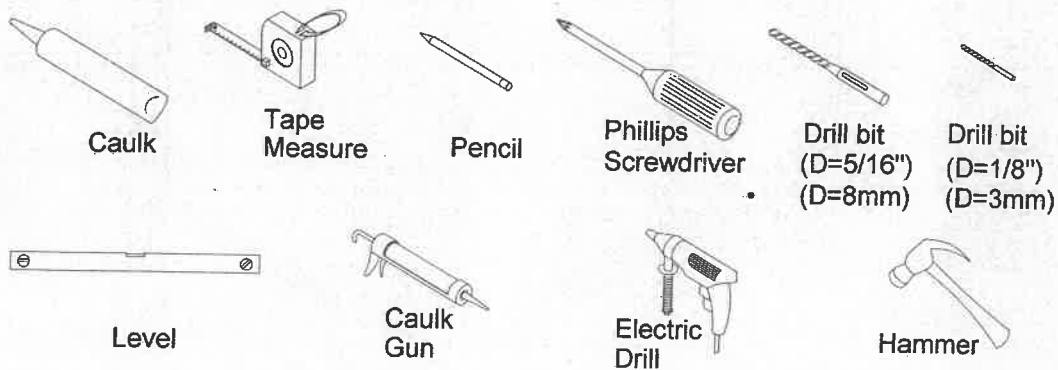


Our product may have changes without prior notice

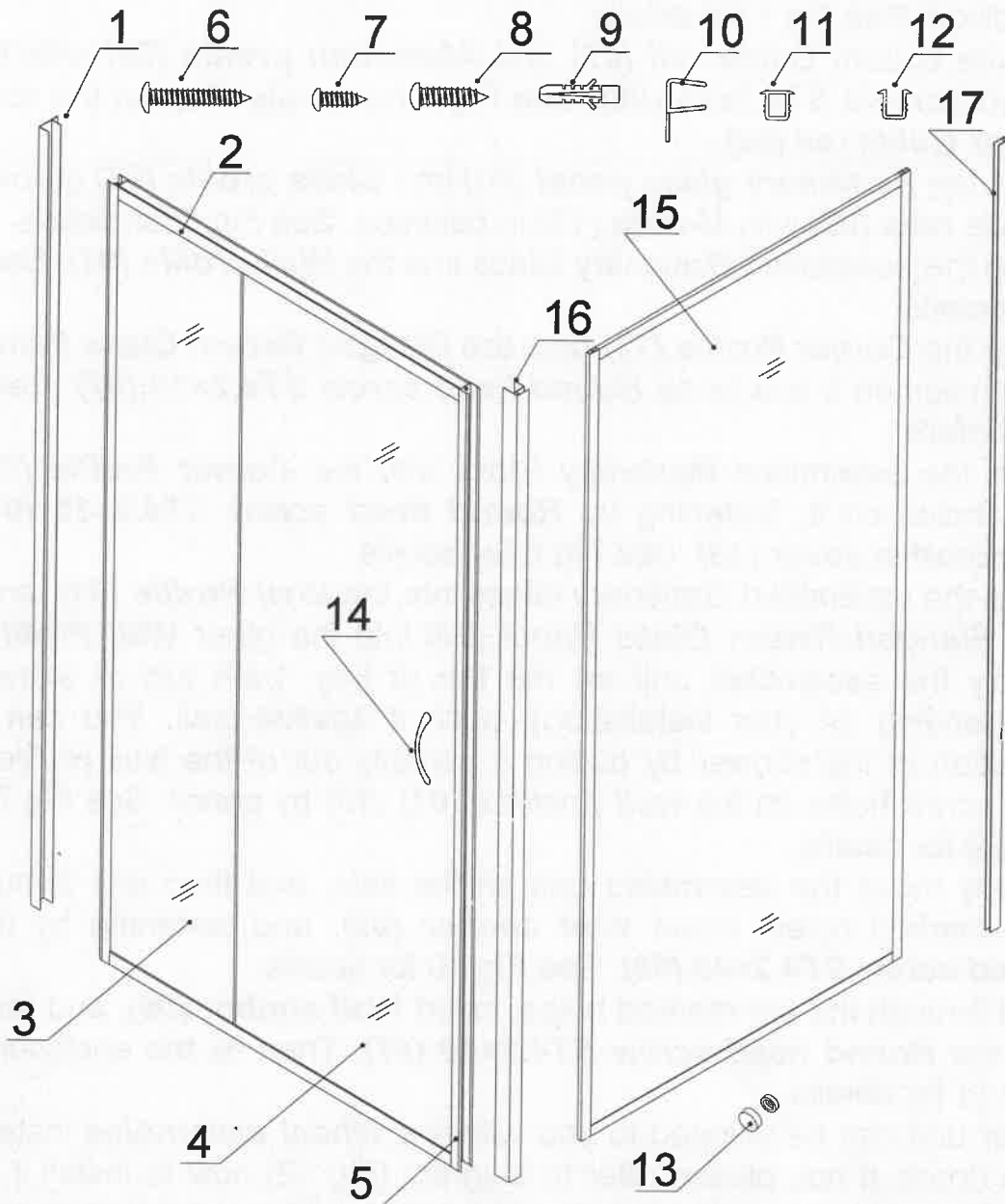
Preparation

1. After opening all the boxes, read this introduction carefully, verify that all packed parts are complete by cross checking all the components against the "Detailed Diagram of Shower Enclosure Components". Examine for shipping damage. If the unit has been damaged or you have any other questions - please contact your local distributor.
2. Please note that you should consult your local building codes on questions on installation compliance standards. Building and plumbing codes vary by country and location, your local dealers or distributors are not responsible for code compliance standards for your project.
3. Use a competent and licensed (if required by local code) plumber for all plumbing installation.
4. Please insure that prior to the installation the floor is leveled and solid and will be able to support the total weight of the unit and its occupant. Also make sure the walls are at right angles. While some adjustment of the glass is possible, improper angle of the side walls will result in a serious problem for your installation. Please, note that some adjustments and drilling might be necessary during the installation process.

Tools Required



Detailed Diagram of Enclosure Components



Packing List

01	Wall Profile	1pc	09	Wall anchor	8pcs
02	Guide Rail	2pcs	10	Flanged anti-water strip	3pcs
03	Stationary Glass Panel	1pc	11	Article decoration	2pcs
04	Glass Door Panel	1pc	12	U-strip	2pcs
05	Glass profile	1pc	13	Decorative cover	9pc
06	Big head screw ST4.2×40	4pcs	14	Handle	1pc
07	Round head screw ST4.2×10	12pcs	15	Flanged Return Glass Panel	1pc
08	Round head screw ST4.2×25	4pcs	16	Corner Profile	1pc
			17	Wall Profile 2	1pc

Shower Enclosure Installation

1. Install the shower tray or stone base according to the customer's actual condition. See Fig 1 for details.
2. Secure bottom **Guide rail (02)** and **Aluminum profile (05)** with **Round head screws ST4.2x25 (08)**. See Fig 2 for details. Repeat the same for upper **Guide rail (02)**.
3. Push the **Stationary glass panel (03)** into **Glass profile (05)** groove, and **guide rails (02)** with **U-strip (12)** in between. See Fig 3 for details.
4. Snap the assembled Stationary Glass into the **Wall profile (01)**. See Fig 4 for details.
5. Snap the **Corner Profile (16)** onto the **Flanged Return Glass Panel (15)**; drill holes on it and fix by **Round-head screw ST4.2x10 (07)**. See Fig 5 for details.
6. Slide the assembled Stationary Glass into the **Corner Profile (16)** and drill holes on it, fastening by **Round head screw ST4.2x10 (07)** and **Decorative cover (13)**. See Fig 6 for details.
7. Slide the assembled Stationary Glass into the **Wall Profile (01)**, and slide the **Flanged Return Glass Panel (15)** into the other **Wall Profile (17)**. Carry the assembled unit on the top of tray, bath tub or stone base (depending on your installation); push it against wall. You can adjust position of the shower by pulling it partially out of the wall profile. Mark the screw holes on the **wall profiles (01) (17)** by pencil. See Fig 7 and 8 and 9 for details.
8. Gently move the assembled unit on the side, and then drill through the pre-marked holes, insert **Wall anchor (09)**, and fastening by the **Big head screw ST4.2x40 (06)**. See Fig 10 for details.
9. Drill through the pre-marked holes, insert **Wall anchor (09)**, and fastening by the **Round head screw ST4.2x40 (07)**. Then fix the enclosure. See Fig 11 for details.
10. Your unit can be shipped to you with the **Wheel assemblies** installed on the doors. If not, please refer to diagram (Fig 12) how to install it. Attach the top and bottom wheels to the glass doors. The wheel that goes on the top has an adjustable screw and nut to adjust the door level. Note that the lock nut of upper wheel should face up. The bottom wheel has a press button to fix the wheel on the bottom guide rail; that button should face up. Place the **Anti-water strip (10)** on the long (vertical) side of the glass door and the stationary glass. And then place the **Glass door panel (4)** on the guide rails. See Fig 13 for details.
11. Install the **Handle (14)** on the glass door. And insert the **Article Decoration (13)** to the profile. See Fig 14 for details.
12. Drill on the profiles according to the adjusted position together, and fix with **Round head screw ST4.2x10 (07)** and the **Decorative Covers (13)**, so as to fasten the door well. See Fig 15 for details.
13. Apply the mild silicon caulk on the connection between the enclosure and the tray, and between the enclosure and the wall. See Fig 16 for details.

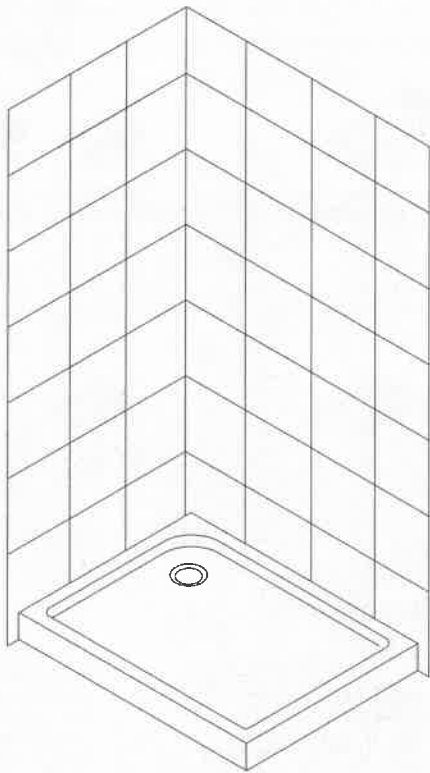


Fig1

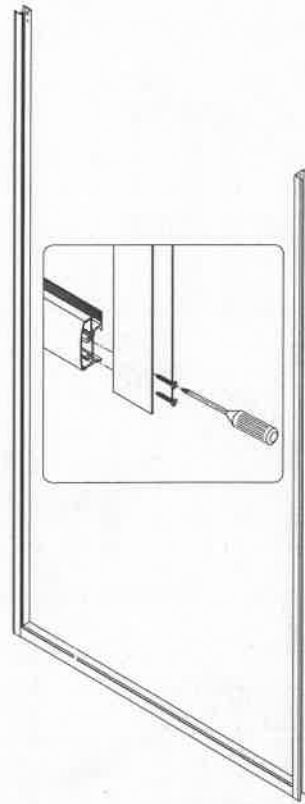


Fig2

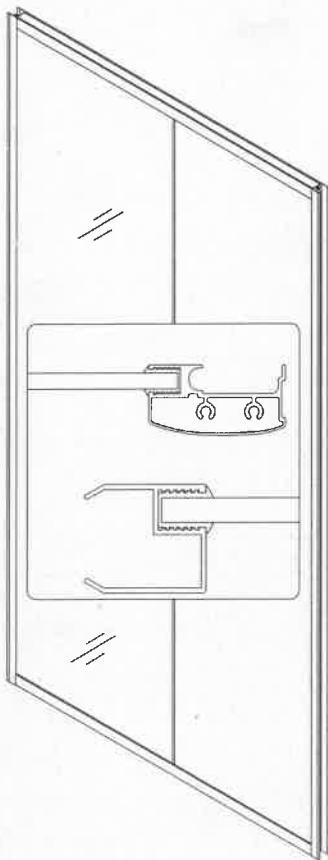


Fig3

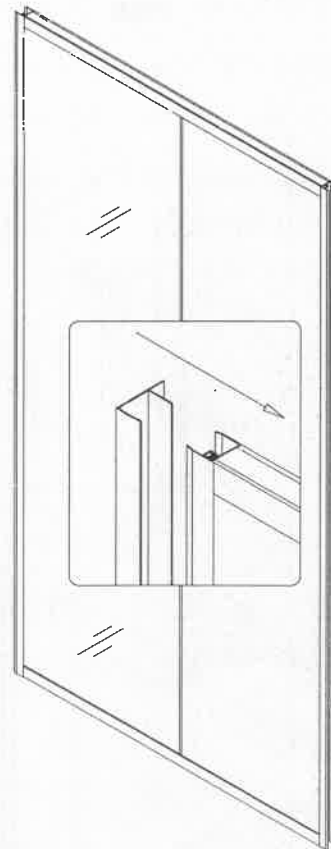


Fig4

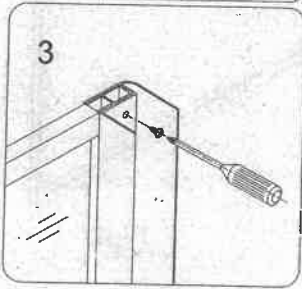
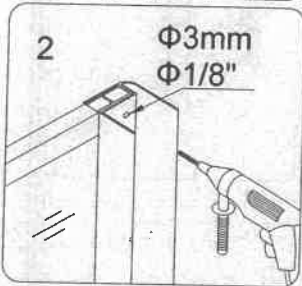
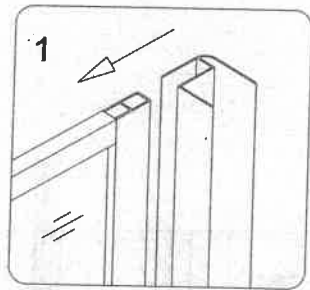


Fig5

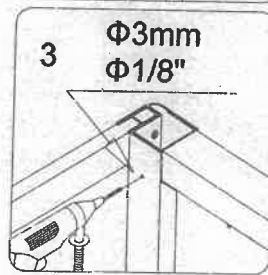
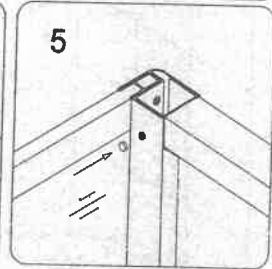
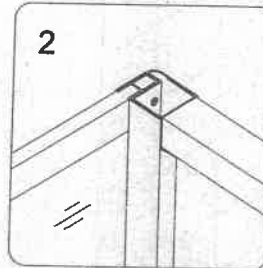
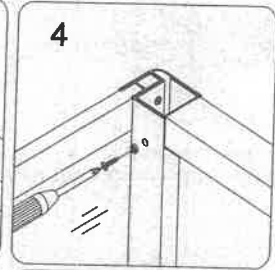
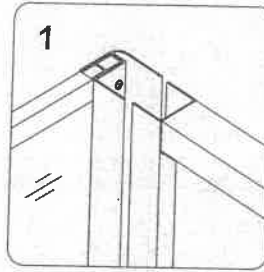


Fig6

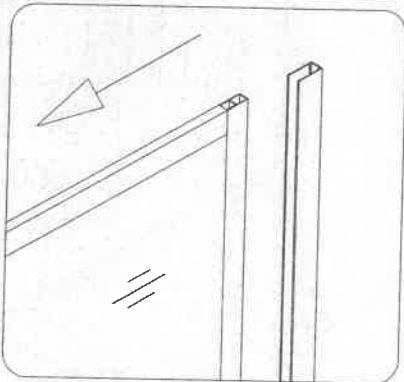
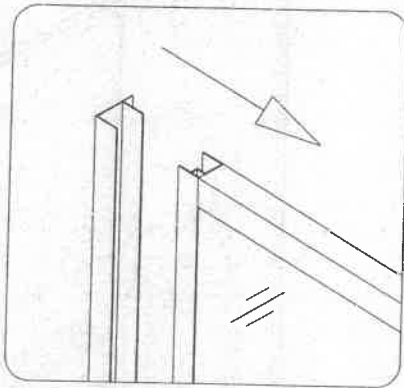


Fig7

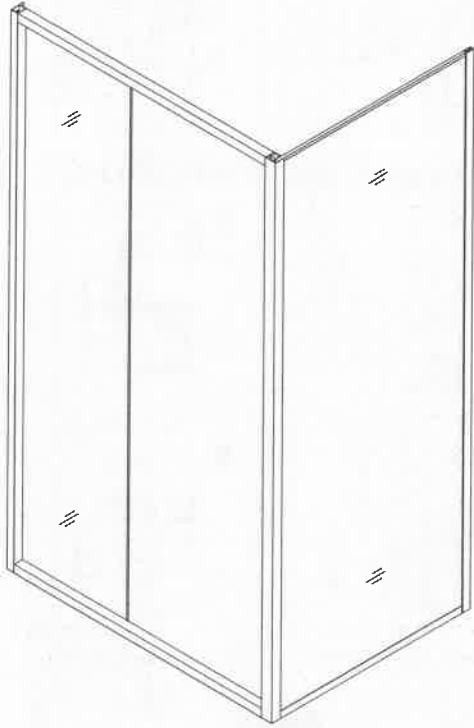


Fig 8

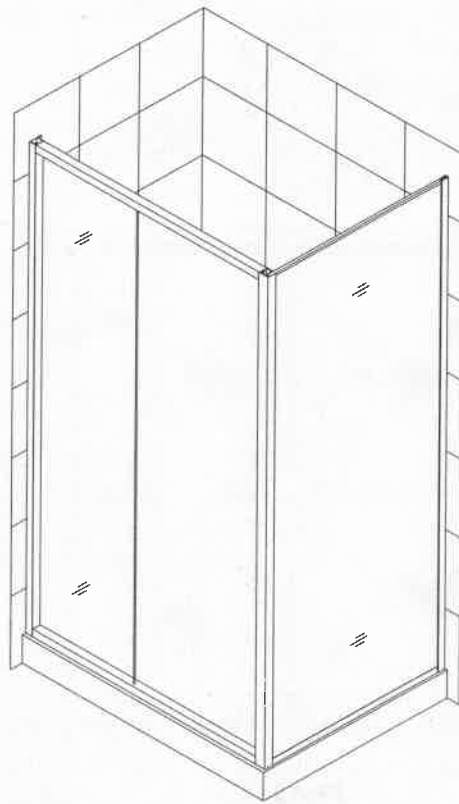


Fig 9

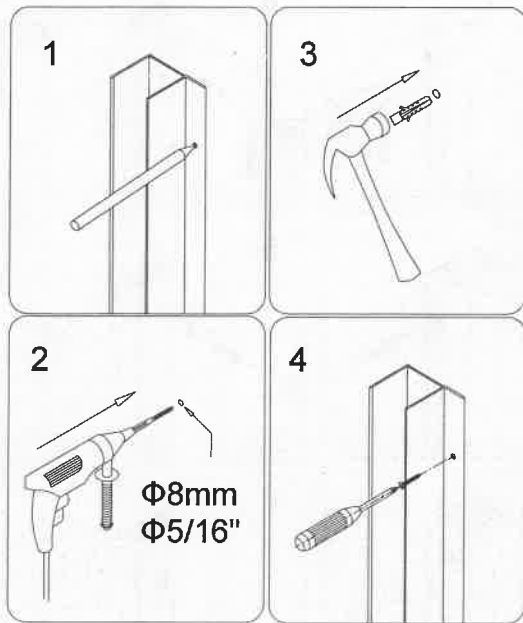


Fig 10

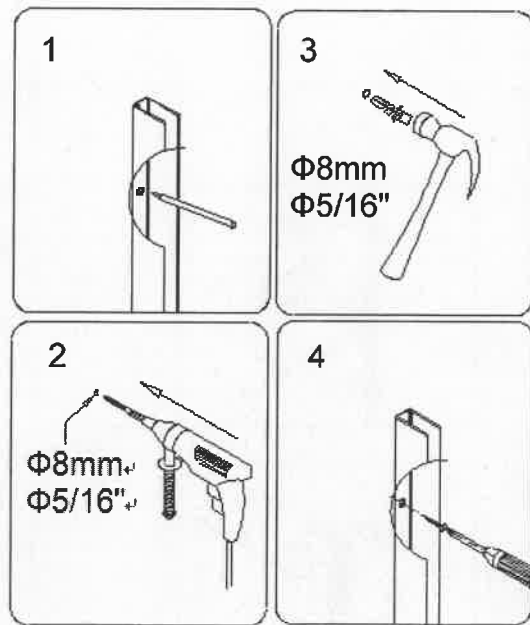


Fig 11

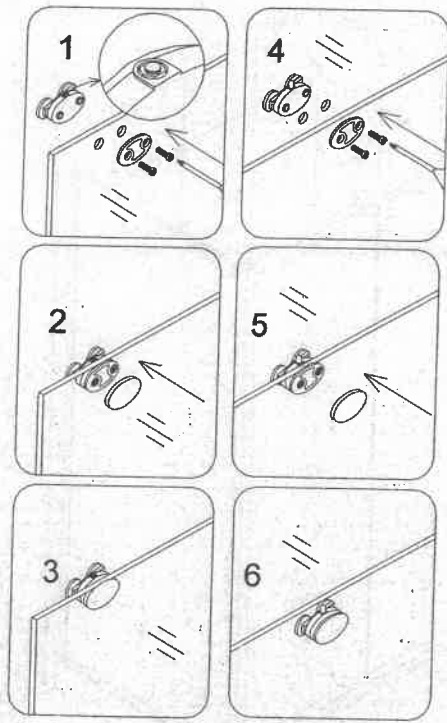


Fig 12

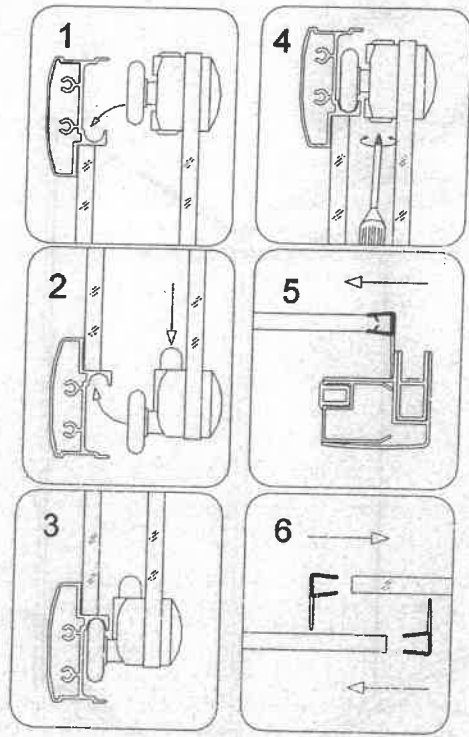


Fig 13

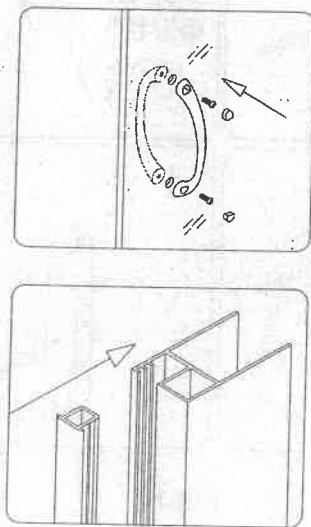


Fig 14

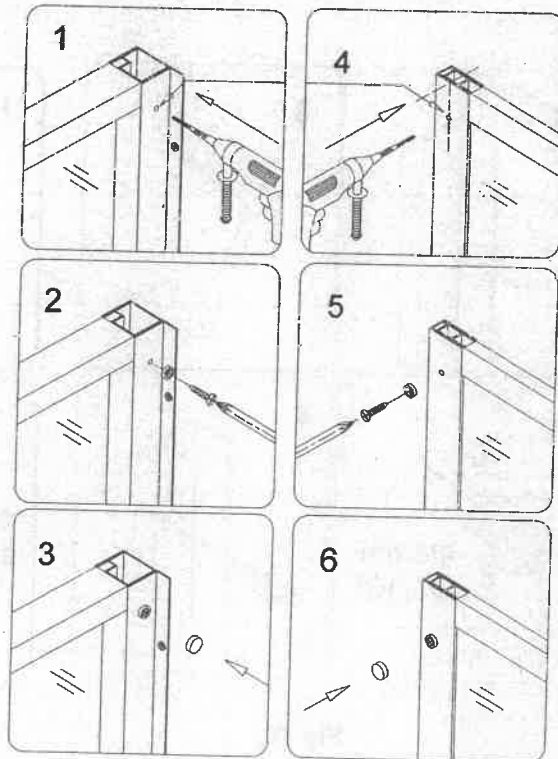


Fig 15

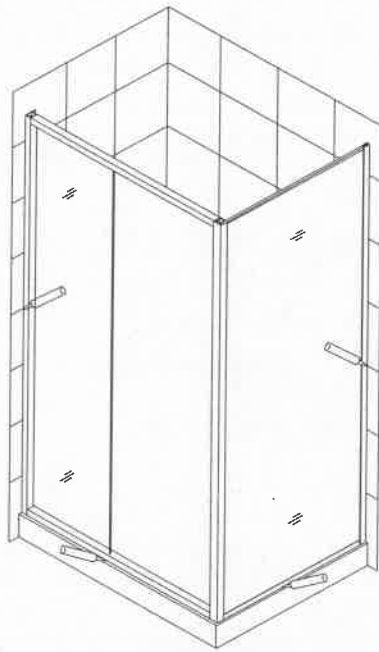


Fig 16

Product Maintenance

1. Tempered glass can be cleaned with nonabrasive bathroom cleaner or any glass cleaner you use elsewhere in your home. Rinse off any glass cleaner that gets on the aluminum as soon as possible to avoid damage to the anodized surface. Avoid striking it with any sharp or hard objects. Such damage can cause either immediate or delayed breakage of tempered glass.
2. The aluminum in your shower door is durable and resistant to water damage. It is advisable, but not necessary to wipe it with your towel after your shower. Clean it as often as needed to keep the buildup off. Never use any type of abrasive cleaner. Use only a soft damp cloth and nonabrasive bathroom cleaners