



IMPORTANT - PLEASE RETAIN THIS DOCUMENT FOR WARRANTY REFERENCE. PLEASE ALSO ATTACH YOUR SALES RECEIPT FOR ANY FUTURE ENQUIRIES

INSTALLATION GUIDE

Frameless 3 Sided Door Set

1

Contents

Introduction	Page 3
Contents supplied	Page 4
Tools required / safety warnings	Page 5
Installing wall receivers	Page 6
Frame assembly and installation	Page 7
Fixing frame and installing door	Page 8
Door adjustment	Page 9
Door adjustment (continued)	Page 10
Sealant installation	Page 11
Warranty / Cleaning and After Sales Service	Page 12

2 Introduction

Thank you for purchasing a Nouera Product. As a 100% New Zealand owned and operated company with over 35 years experience, we appreciate your support, and we're sure you will find this product of the highest quality.

This installation manual is designed to provide you with as much assistance as possible during the installation process. If at any stage you encounter confusion, we invite you to contact us at your earliest convenience. One of our technicians will be more than happy to talk you through any questions you may have. Our contact details are at the back page of this manual.

It is important to consider the implications not only of voided warranty, but also potential water leakage if installation is not carried out correctly. It's always better to be safe than sorry.

This product has been manufactured to meet all of our quality assurance standards, and as required by the New Zealand Building Code, our Glass is manufactured to meet all requirements of AS / NZS 2208.

This product is also covered by our full 10 year "NO NONSENSE" warranty. The full details of this can be found on Page 12 of this manual.



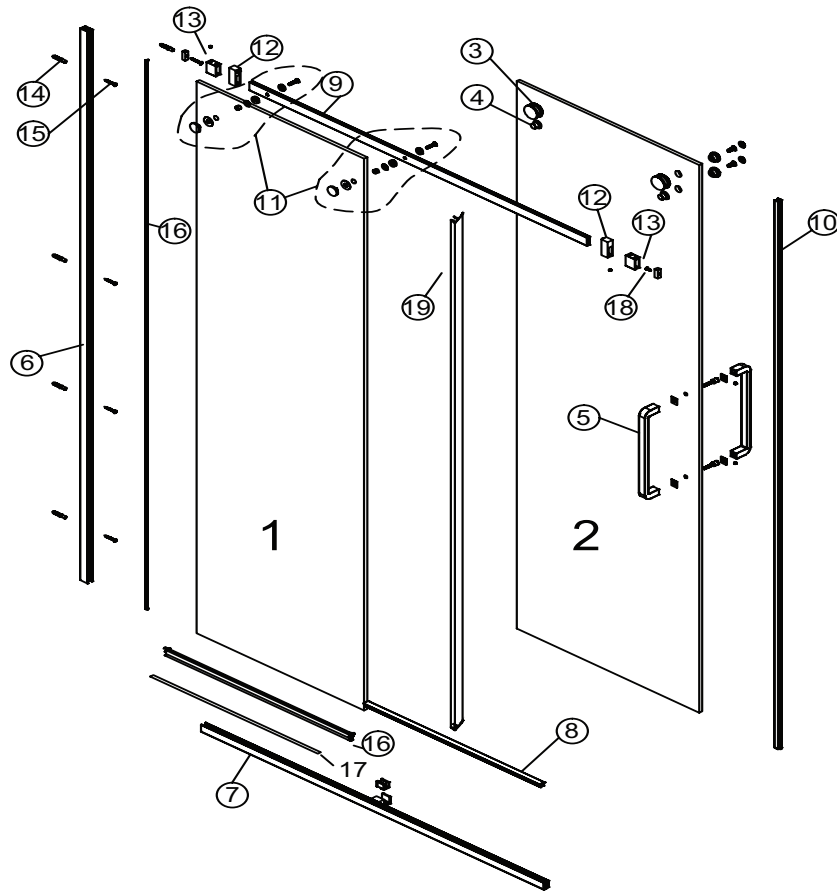
900x1200x900 RH FIXED



900x1200x900 LH FIXED

3 Contents Supplied

Please ensure that all parts listed below are supplied prior to starting installation



PARTS LIST

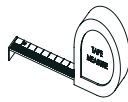
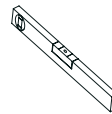

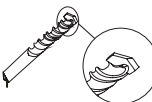
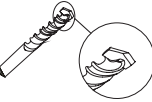
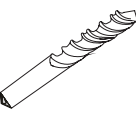
Part Number	Description (QTY)
1	Small glass return panel (1)
2	Glass sliding door panel (1)
3	Roller set (2)
4	Safety Pins (2)
5	Handle set (1)
6	Wall channel (1)
7	Bottom channel (1)
8	Channel cover (1)
9	Roller bar (1)
10	Buffer weatherseal (1)
11	Glass hardware fixing pack (2)

Part Number	Description (QTY)
12	Door Stop (1)
13	Rail to wall/glass fixing block (2)
14	Hollow wall anchors (9)
15	Fixing screws 4x30mm (9)
16	Glass wedge seal (4)
17	Glass bottom packers(4)
18	Fixing screw 4x12mm (2)
19	Vertical weatherseal (1)

4

Tools Required

	Flat head Screwdriver
	Phillips Screwdriver
	Marking Tool
	Drill
	Hammer

	Tape Measure
	Level
	Caulking Gun / Silicone
	6mm Tile Drill Bit (if wall surface is tiled and hollow wall anchors are installed)
	3mm Tile Drill Bit (if wall surface is tiled and solid timber mounting is available)
	3mm HSS Drill Bit

** We recommend the use SIKA Sikasil NG Arctic White Silicone

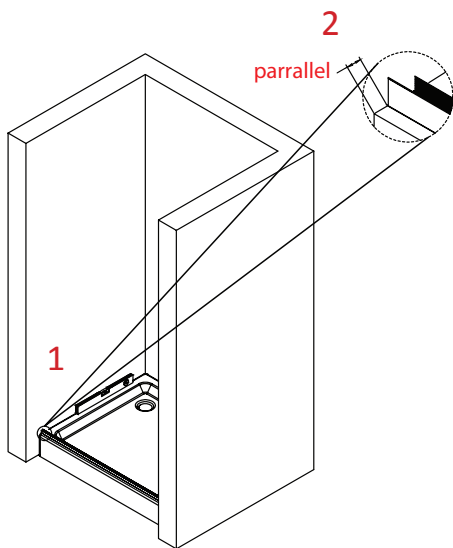
Safety / Warnings

Warning - The Glass Panels of this product are made from high quality Safety Glass. The nature of Safety Glass means that it is highly impact resistant on its FACE (flat side). However, it is sensitive to impact on its edges. Take all possible steps to ensure the edges of the glass panels are protected from impact during installation.

Safety - Please take all possible steps to ensure that the correct Personal Protection Equipment is used, and that care is taken during the installation of this product.

5 Installing glass channels

Before installing the wall receivers, the shower tray and wall liner must be installed in accordance with the separate instruction manual.



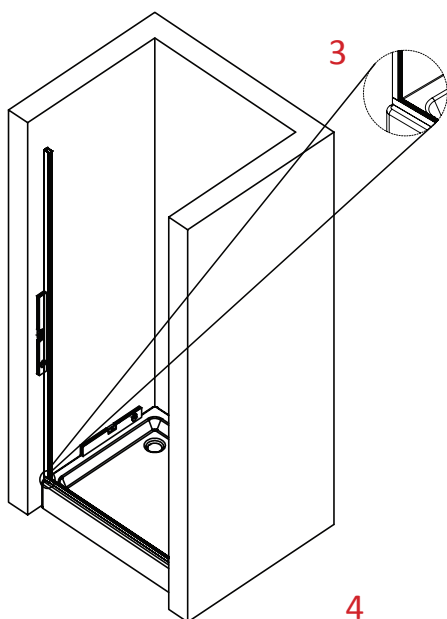
Step 1 - Using a level, ensure the tray is level along all 4 edges prior to channel installation.

Step 2 - Place the bottom channel onto the tray and ensure and position so the channel is running parallel, and 12mm inside of the front edge of the tray.

Mark the positions of the channel.

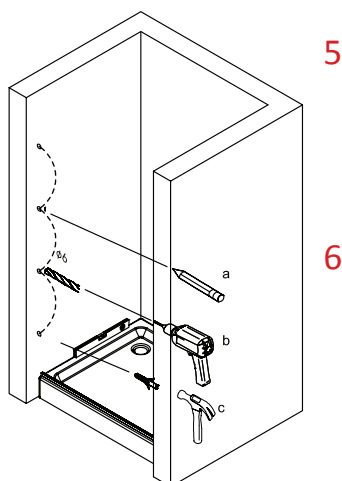
Remove the channel and run a silicone bead on the bottom of the channel. Install the channel onto the tray and bead off excess silicone.

Allow 24 hours to dry prior to next installation step



Step 3- Place the wall channel onto the top of the floor channel and align. Then using a level ensure the wall channel is vertically plumb, and mark the hole positions on the wall surface.

IMPORTANT - If you are installing the doorset onto a **TILED WALL** and an **ACRYLIC TRAY** the **floor AND wall** channels should be installed to the wall lining **PRIOR TO TILING**.



Step 4 - Drill 3m pilot holes.

Step 5 -If the walls are hollow, drill a 6mm hole and install the hollow wall anchors.

If you have solid timber fixings (preferable), drill a 3mm pilot hole through the wall surface.

Step 6 - Install screws through wall receivers and into wall/anchors.

Run a small "eyebrow" bead of silicone onto the thread as you insert the screw.

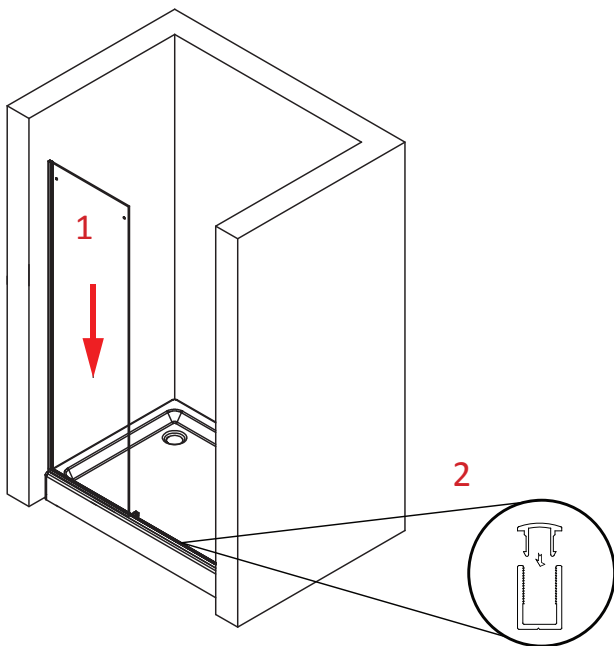
6 Installing glass

IMPORTANT - Prior to installing the glass panel, place a level onto the top edge of the bottom glass channel and ensure the channel is level. If the channel is not exactly level, when the glass is installed it will not finish level at the top, and the fixing holes for the door roller bar will not be level.

To compensate for this, inside the seal package there are 4 x clear silicone rubber packers. You can cut these again if required and use them to pack up the glass panel until the glass is level.

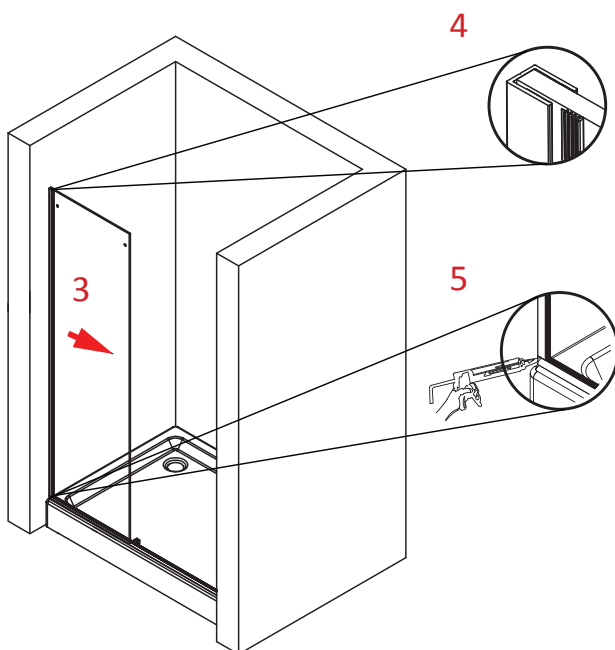
WARNING - Take care when lifting and installing the glass panel. This panel is safety glass which is very strong on its face, but its edges are highly sensitive to impact.

It is recommended that safety glasses are worn, and also use glazing suction tools when lifting and placing the glass into the channel.



Step 1 - Place the small glass return panel into the wall and floor channel. Allow the glass panel to stand in place.

Step 2 - Install the door threshold capping into the bottom channel. Ensure the outside edge fits tightly against the wall.



Step 3 - Re-position the small glass return panel so its outside edge fits tightly against the door threshold cover.

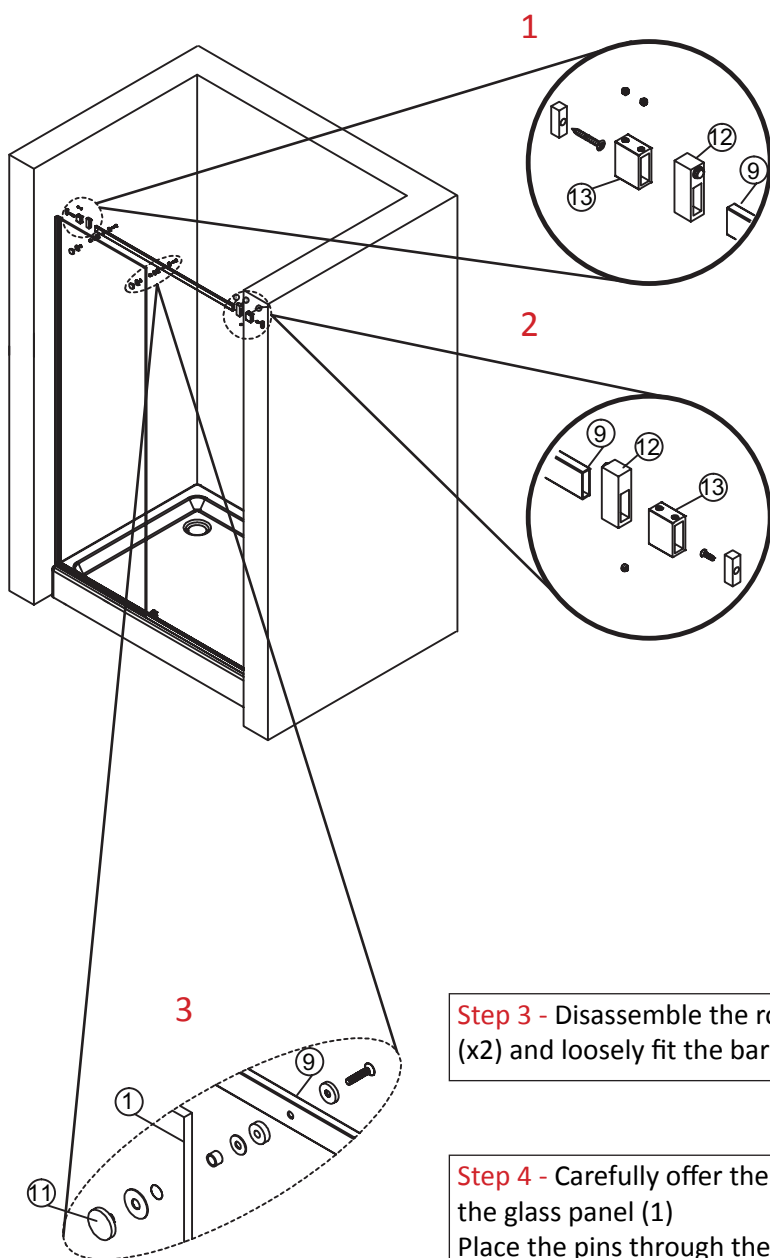
Step 4 - Install the glass wedge seal on the OUTSIDE of the glass panel along the floor and wall channels.

Step 5 - Run a small bead of silicone along the joint between the wall and floor channels on the OUTSIDE of the shower.

7

Pre-fitting the roller bar

HINT - Before pre-fitting the roller bar, place the door panel **INSIDE** the shower. Place it on something soft to protect the edge of the glass and lean it against the wall. It is easier to fit the door from the inside after the bar is installed.



Step 1 - Pre assemble (do not fit tightly) the mounting block (13) and the door roller stop (12) onto the door opening side end of the roller bar (9).

Ensure the wall mounting plate is attached solidly to the mounting bock with the grub screw.

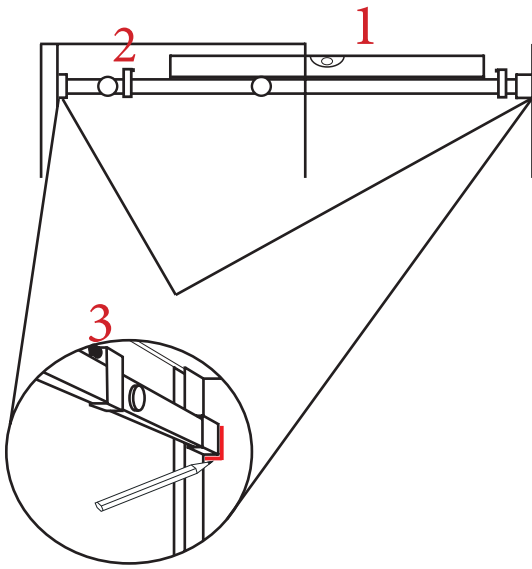
Step 2 - Pre assemble (do not fit tightly) the second mounting block (13) and the roller stop (12) onto the door closing end of the roller bar (9).

Ensure the wall mounting plate is attached solidly to the mounting bock with the grub screw.

Step 3 - Disassemble the roller bar mounting bar fixing pin assemblies (x2) and loosely fit the bar fixing pins (C) through the bar.

Step 4 - Carefully offer the bar (with the components loosely fitted) up to the glass panel (1)
Place the pins through the hole in the glass return panel (1).
Loosely install the glass fixing flanges (11) onto the pins.

Installing the roller bar



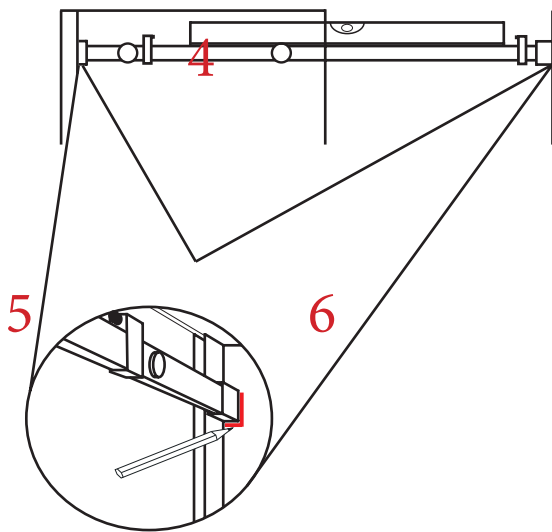
Step 1 - With the bar loosely fitted.

Check that the bar is level. If adjustment is required, lower or raise the bar until it is level.

Tighten the bar fixing pins onto the glass.

Step 2 - Slide the bar mounting block back to the wall lining and onto the glass return panel fixing bracket.

Step 3 - From the inside of the shower, using a pen or marker, mark carefully around the outside of the mounting block where it meets the wall linings.

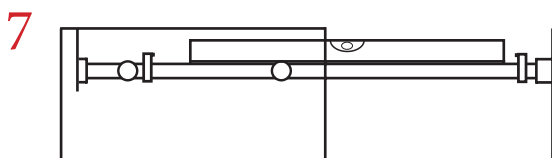


Step 4 - Carefully remove the bar from the glass by removing all the fixings.

Step 5 - Hold the mounting blocks back up to the marked positions, and mark the fixing hole position on the liner or wall.

Drill a 3.5mm hole through the liner / wall linings and into the timber framing.

Step 6 - Hold the mounting blocks up to the marked position, and install a 4x30 fixing screw through the liner/ wall linings and into the framing. Ensure this screw is tight.



Step 7 - Re-install the bar.

Be sure to include the door stops.

Re-fit the bar fixing pins onto the glass.

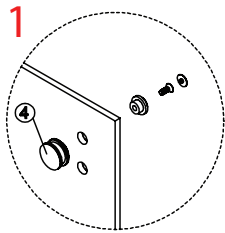
Tighten all fixings.

Re-check the bar is level.

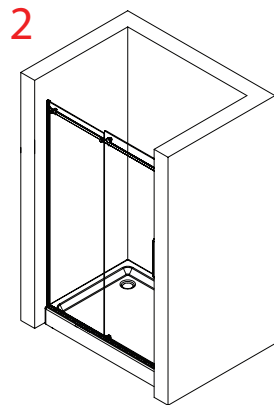
Re-check all fixings are tight.

9

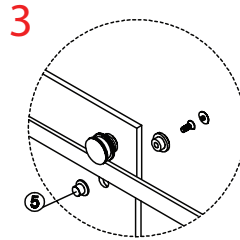
Fitting the door



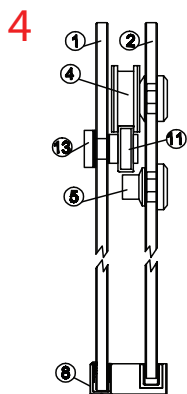
Step 1 -
Install the Roller Mechanisms (x2) into the top holes of the glass door panel.
NOTE - The rollers fit onto the glass with plastic inserts which have offset holes. These allow for adjustment of the door position after installation. We will refer to these in step 5.



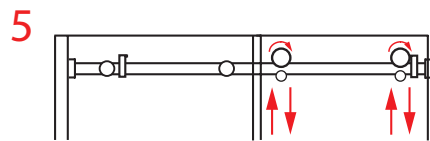
Step 2 -
Carefully hang the door onto the bar. The bottom edge of the door must be inserted **CAREFULLY** into the bottom guide block as the rollers are being lowered onto the bar.



Step 3 -
Install the retaining pins onto the door panel. These also have offset eccentric cam and should be adjusted so the pins stop the door from being lifted off the bar, but still have enough clearance for the door to slide without interference.



Step 4 -
Re-check the position of all the components is correct. Refer to this side view to show the correctly installed positions of components on the glass panels.



Step 5 -
Slide the glass door panel so that it is almost fully closed. Check that the gap between the door and the large glass return panel is equal.

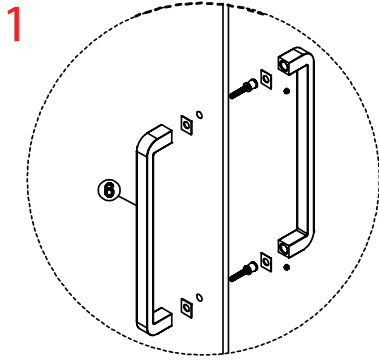
To adjust this -
From the inside of the shower - loosen the allen keys which hold the roller mechanisms to the glass door panel.

Turn the chrome flange around the allen key bolt carefully which will turn the offset inserts and lift or lower the door.

NOTE: Not the roller

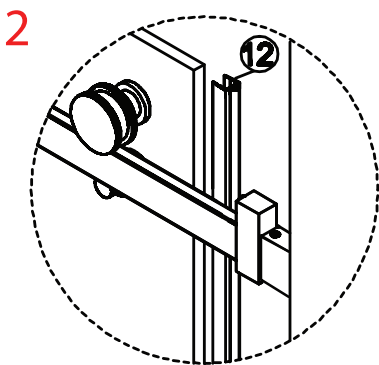
Once aligned, re-tighten the allen keys bolt while holding the chrome flange collar and check alignment.

Handle, seals and sealant Installation



Step 1 -

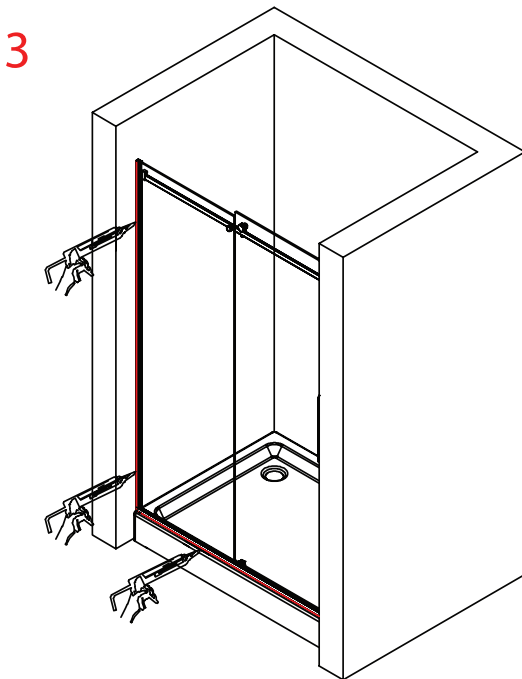
Install the handle onto the glass panel.



Step 2 -

Install the "bump" seal onto the leading edge of the door.

Install the "flap" seal onto the trailing edge of the door.



Step 3 -

Apply a bead of silicone to the **OUTSIDE** perimeter of the shower.

Apply a bead to the outside of the wall receiver where they meet the liner / wall surface.

Continue this bead down to the junction of the liner / receiver and tray.

Take care at this junction to ensure the corner joint is completely sealed on the outside. Repeat on the other wall receiver, then run a bead along the joint between the door frame and tray. Trim and allow to dry for 24 hours.

WARNING -

Silicone sealant should only be applied to the **OUTSIDE** perimeter of the shower. Installing silicone inside the shower can cause blockage of water and leakage, and **WILL** cause mould build up. Your warranty **WILL BE VOIDED**.

11 Warranty

All bathroomware products supplied by Nouera Shower Systems carry our Quality Assurance and Product Warranty. We use the highest quality materials available and manufacture these in accordance with New Zealand specifications and requirements to ensure that all products are fit for the intended purpose for which they are designed. Our customers peace of mind is of paramount importance to us.

Warranty Periods

Baths	10 years
Showers	10 years
Shower Screens and Doors	10 years
Black Coated Framework	5 years

Warranty Exclusions

The product must be installed according to the instructions supplied.
The water supply temperature applied to the product must not exceed 55 degrees Celsius.
Commercial applications are restricted to a 2 year warranty on all products.

12 Cleaning

Shower Wall

We use Durosan premium quality sanitaryware grade Acrylic. It is, by design, very robust and chemical resistant. A soft damp cloth with non abrasive cleaners should be used. Use only non abrasive cleaners that are recommended for Acrylic products.

Shower Tray and Bath

We manufacture our Shower Trays and Baths using a Solid Acrylic Surface. Most other shower trays are manufactured using a veneer Acrylic surface. The great advantage is that small scratches can be removed easily by using fine cutting compound. Again the same basic cleaning methods as the wall are recommended.

Shower Doors and Glass

All glass is compliant to AS/NZS 2208. We suggest that the glass surfaces are wiped down or squeegeed following use to remove excess water. For best results use a trusted glass cleaner.

Metal framework

Should be cleaned using a soft damp cloth with non abrasive cleaner. Note that on most showers, the bottom rollers are easy release for ease of cleaning. If chemical spray cleaners are used, avoid direct contact with the rollers and guides and ensure the shower is rinsed off to avoid residue build up.

Weather seals and drip strips

Can be removed if required for cleaning, and can be replaced when they no longer look their best. Refer to the Spare Parts and Accessories section of our website for more details.

Note - If the Glass has been treated follow specific cleaning instructions from the system provider.

13 After sales service

We trust you have found this manual helpful during the installation of this product. However, if you have any questions at all regarding your Nouera product, please feel free to contact us.

Phone 09-274-7423

Fibre Systems Ltd
20 Neilpark Drive
East Tamaki
Auckland