



# fibre

systems

raising the standard in showers  
since 1986



symphony  
showersystems

PINNACLE  
COLLECTION

2022





NATURAL  
STRENGTH

FORGING NEW  
PATHWAYS



EMBRACING  
NATURE

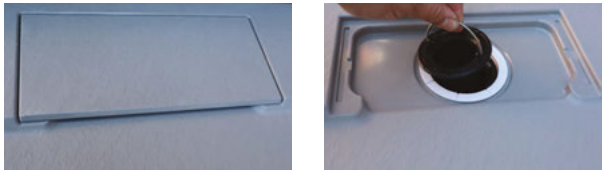


Pinnacle shower trays utilise new technology and materials to reimagine natural durability and strength.

Embracing nature in your bathroom has never been easier.

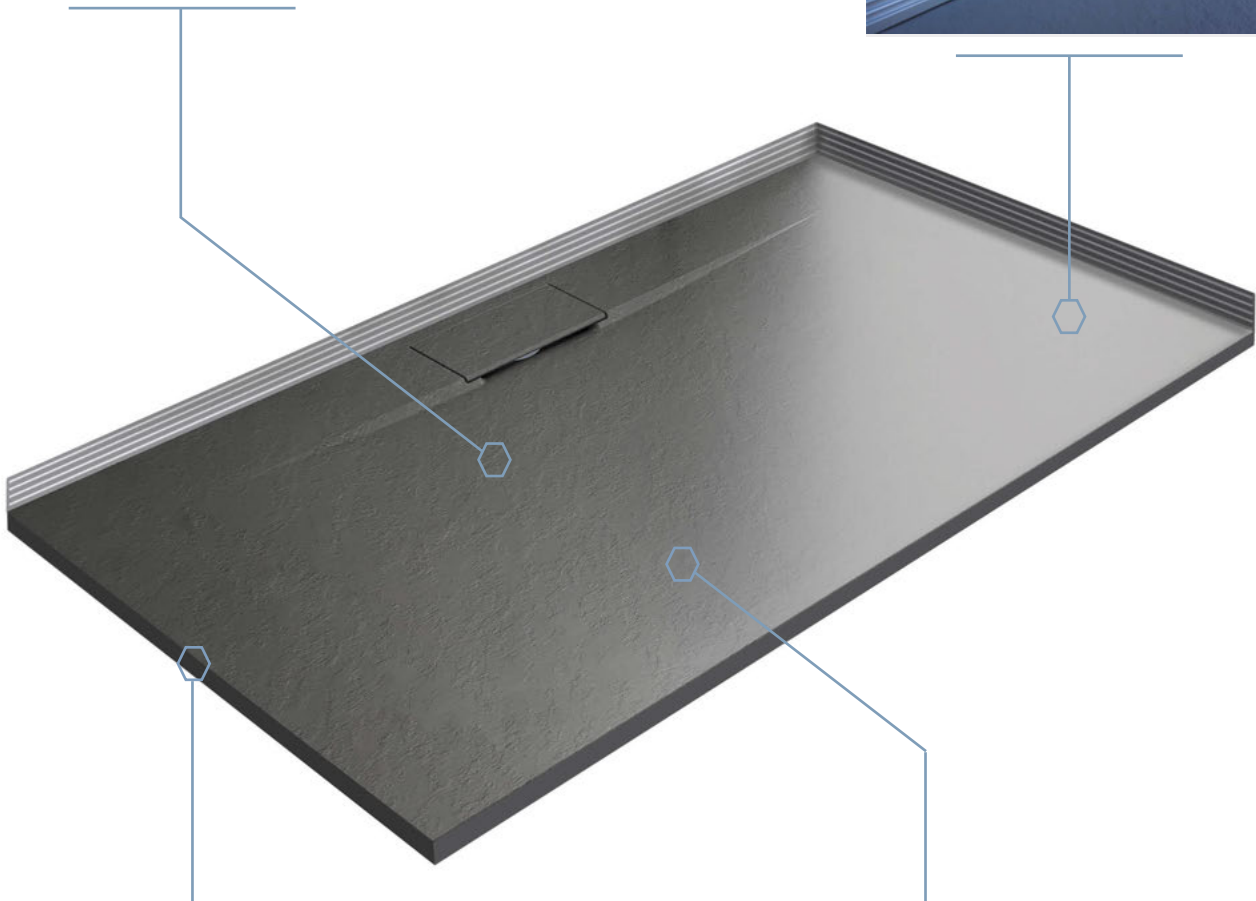
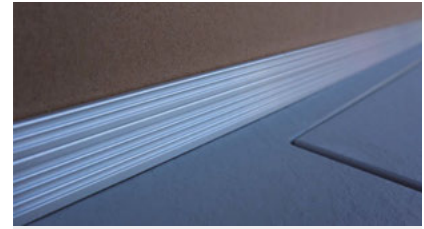
## SEAMLESS DESIGN

Symphony Pinnacle trays feature a hidden waste design. An easy clean waste is hidden under a cover lid. Water exits the tray via a waste "slot" and when cleaning is required, the lid easily lifts up revealing the waste and the removable waste bucket.



## WATERTIGHT STRENGTH

Watertightness is just as important as strength. That's why Pinnacle trays feature factory-fitted 30mm high Aluminium Upstands which feature horizontal ribs to aid sealant or waterproofing material retention

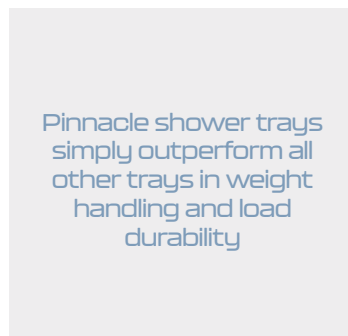
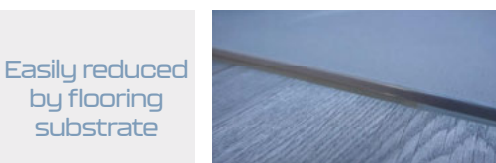
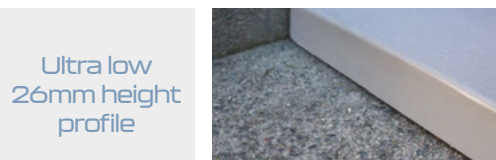


## LOW PROFILE

Pinnacle trays have an ultra low height profile of 26mm. This could easily be lowered with flooring installation up to the side of the tray. Pinnacle trays can also be recessed into the floor if required.

## DURABLE AND SAFE

SMC is a composite material made from resin, fillers and glass fibre. The material is poured into precision alloy moulds at over 150°C and compressed, leaving a precise, solid form which will not distort, discolour, or break down after years of use. The surface is finished to mimic natural slate, which also provides a non-slip finish for added safety.





# Warranty

## 10 years :

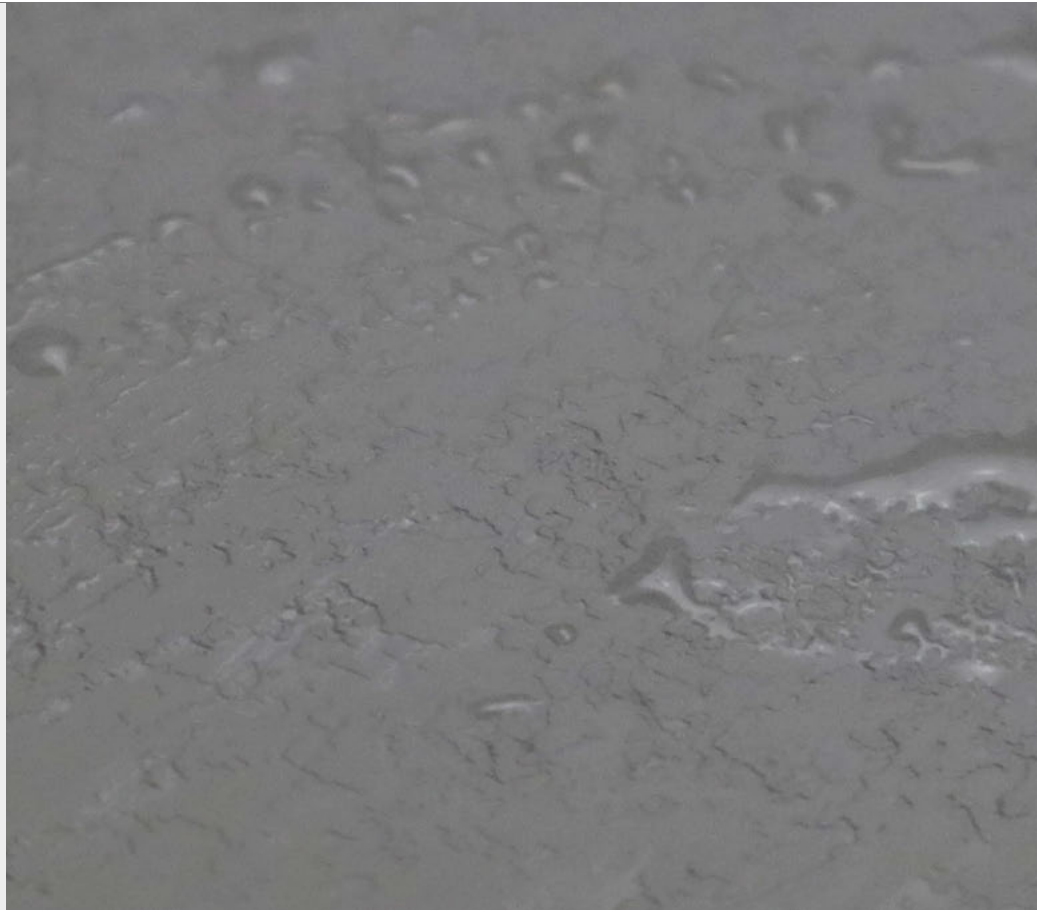
- Tray
- Liner
- Glass
- Silva finish frames / hinges and hardware
- Seals / rollers

## 5 years :

- Black finish frames / hinges and hardware

## 7 years :

- Easy Clean wastes



## INSTALLATION

It is **HIGHLY** recommended to engage a competent installer for peace of mind. Most installers offer a full warranty on their workmanship. Remember if your Symphony Shower is installed incorrectly, this could lead to not only a void product warranty, but also expensive damage to the building structure if hidden leaks occur.

If you are combining your new Pinnacle tray with tiled walls, you must consult with your local council in relation to required consents. Additionally, a PS1 certified waterproofing installer must carry out all waterproofing work.

The same consideration must be taken when floor tiles are installed adjacent to a shower tray with no door system (walk in shower).

## MANUFACTURED WITH PRIDE

Fibre Systems have been manufacturing, designing and importing showers for the New Zealand market since 1986. We are a 100% owned and operated family business, and we specialise in showers.

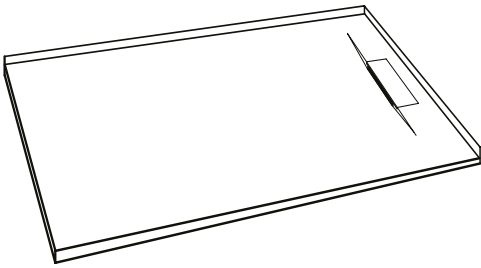
Our latest tray, the Pinnacle, brings us closer to the ultimate showering experience, where the natural look and feel of stone combines with the reliability of an acrylic cubicle.

DESIGNED AND  
ENGINEERED BY



raising the standard in showers  
since 1986

## CONFIGURATION OPTIONS



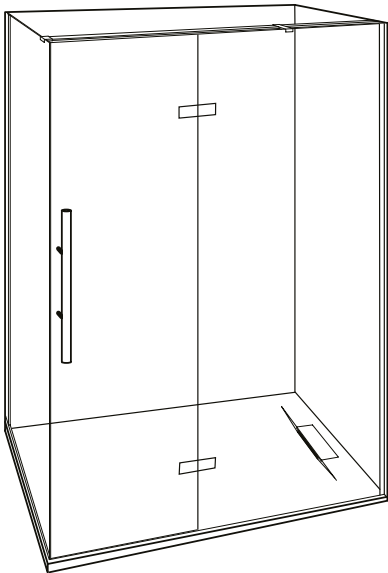
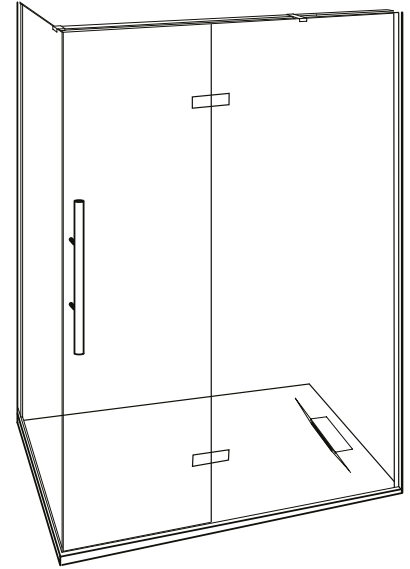
### Tray Only

Pinnacle shower trays can be purchased as a tray only, complete with factory fitted upstand. Trays are supplied standard with a side outlet easy clean waste, bottom outlet is an optional code. This allows you to finish your walls and enclosure with your own choice of materials or door systems. Please remember to check our tray specification sheets to ensure our tray will suit your installation requirements.

### Tray + Enclosure Glass

Another option is to purchase a shower tray AND door system. This allows for flexibility with wall substrates and finishes, but means the tray and door systems will work seamlessly.

Remember to check our door specification sheets as our door systems are designed to fit our trays, and it is important to ensure they will work within your project measurements.



### Complete Cubicle

And the most popular option is to purchase a complete shower cubicle. This provides a simple to install, leak free installation which is very easy to clean and cost effective to install.

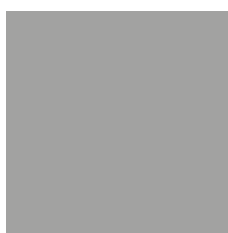
Simply add the Pinnacle tray upgrade to any applicable Symphony Shower cubicle.

## COLOUR OPTIONS

Pinnacle trays are available in 3 naturally finished colours.



Natural  
White



Natural  
Grey

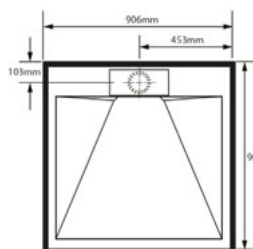


Natural  
Black

# Pinnacle Alcove Trays

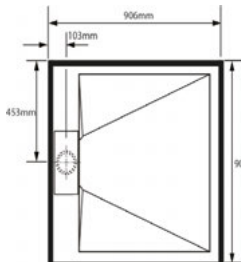
## 900x900x900

### Rear waste



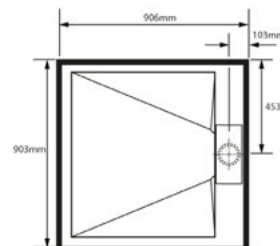
Black  
PT9X9X9RCWBL  
White  
PT9X9X9RCWWH  
Grey  
PT9X9X9RCWGY

### LH waste



Black  
PT9X9X9LHBL  
White  
PT9X9X9LHWH  
Grey  
PT9X9X9LHGY

### RH waste



Black  
PT9X9X9RHBL  
White  
PT9X9X9RHWH  
Grey  
PT9X9X9RHGY

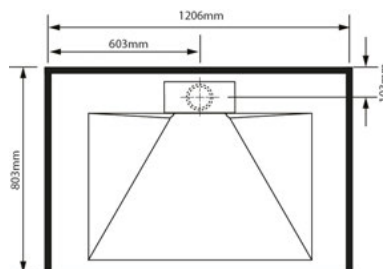
## 800x1200x800

800x1200x800 Alcove trays are the ultimate space saver, providing ample width, but limiting your showering area projection into the rest of the bathroom.

Sliding doors also aid space saving and keep water in the showering area.

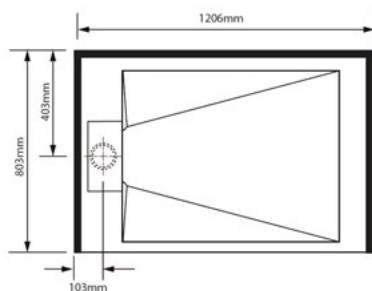
- Limited projection into bathroom
- 3 waste outlet options
- Suit pivot and sliding doors
- Perfect replacement for a 3 sided Shub.

### Rear waste



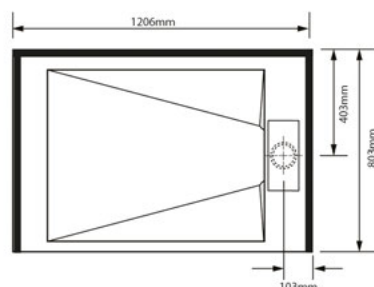
Black  
PT8X12X8RCWBL  
White  
PT8X12X8RCWWH  
Grey  
PT8X12X8RCWGY

### LH waste



Black  
PT8X12X8LHBL  
White  
PT8X12X8LHWH  
Grey  
PT8X12X8LHGY

### RH waste



Black  
PT8X12X8RHBL  
White  
PT8X12X8RHWH  
Grey  
PT8X12X8RHGY

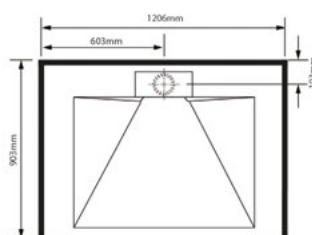
## 900x1200x900

900x1200x900 Alcove trays provide luxurious interior space and do not extend deeper than a standard shower, they can fit into almost every bathroom space.

Pinnacle trays offer 3 outlet positions to cater for all waste and water outlet positions.

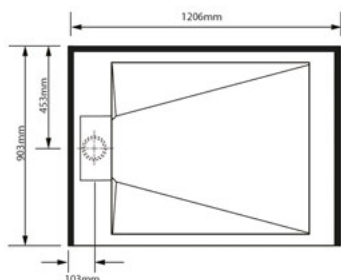
- Luxurious interior space.
- 3 waste outlet options
- Suit pivot and sliding doors
- Perfect replacement for a 3 sided Shub.
- Same projection as standard 900mm shower

### Rear waste



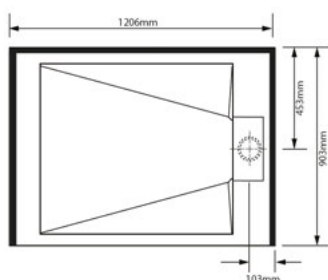
Black  
PT9X12X9RCWBL  
White  
PT9X12X9RCWWH  
Grey  
PT9X12X9RCWGY

### LH waste



Black  
PT9X12X9LHBL  
White  
PT9X12X9LHWH  
Grey  
PT9X12X9LHGY

### RH waste



Black  
PT9X12X9RHBL  
White  
PT9X12X9RHWH  
Grey  
PT9X12X9RHGY

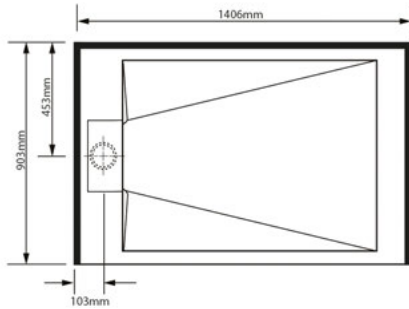
## 900x1400x900

900x1400x900 Alcove trays can create new options for bathrooms. Removing a shower over bath or Shub? Add luxury and space by optimising the width available, but keeping a similar projection into the bathroom.

Pinnacle trays offer 3 waste outlet positions to cater for all waste and water outlet positions.

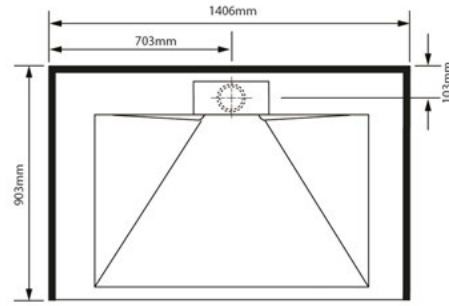
- Standard 900mm projection
- 3 waste options
- Suit pivot and sliding doors
- Perfect replacement for a 3 sided Shub shower over bath.
- Fill one end wall of the bathroom with a spacious shower.

### LH waste



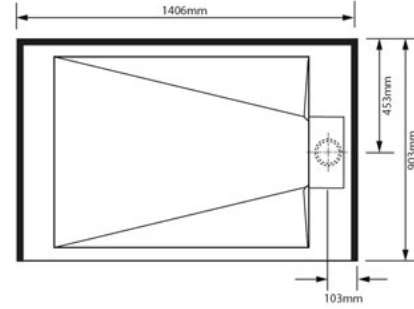
- Black  
PT9X14X9LHBL
- White  
PT9X14X9LHWH
- Grey  
PT9X14X9LHGY

### Rear waste



- Black  
PT9X14X9RCWBL
- White  
PT9X14X9RCWWH
- Grey  
PT9X14X9RCWGY

### RH waste



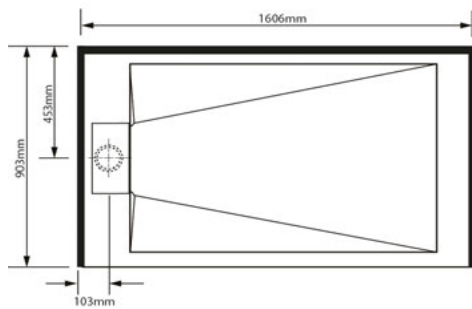
- Black  
PT9X14X9RHBL
- White  
PT9X14X9RHHW
- Grey  
PT9X14X9RHGY

## 900x1600x900

900x1600x900 Alcove trays provide a huge showering space. The ultimate replacement for a 3 sided shower over bath, or design with a complete wall to be a showering paradise.

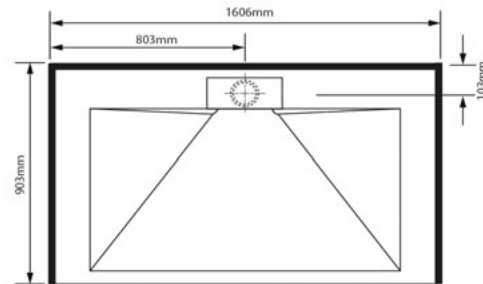
Pinnacle trays offer 3 waste outlet positions to cater for all waste and water outlet positions.

- Standard 900mm projection
- 3 waste outlet options
- Suit pivot and sliding doors
- Perfect replacement for a 3 sided Shub. shower over bath.
- Fill one end wall of the bathroom with a spacious shower.



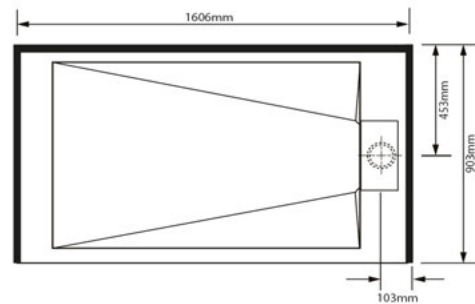
- Black  
PT9X16X9LHBL
- White  
PT9X16X9LHWH
- Grey  
PT9X16X9LHGY

### Rear waste



- Black  
PT9X16X9RCWBL
- White  
PT9X16X9RCWWH
- Grey  
PT9X16X9RCWGY

### RH waste



- Black  
PT9X16X9RHBL
- White  
PT9X16X9RHHW
- Grey  
PT9X16X9RHGY

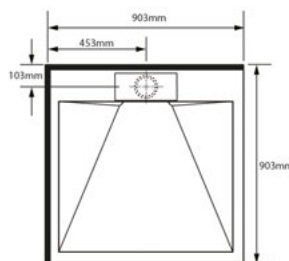
# Pinnacle 2 Sided Trays

## 900x900

Pinnacle 2 sided trays offer a wide range of sizes and tray positions. Embrace nature with a tray or a complete shower solution.

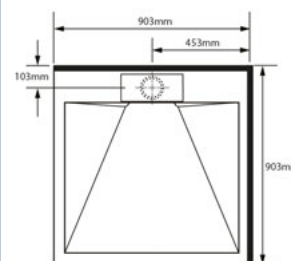
- Wide range of size options
- Waste outlet options
- Available in Black, White or Grey
- Purchase as tray only, or with liner and door set.
- Also compatible with Walk in Panels

### LH waste



Black  
PT9X9LHBL  
White  
PT9X9LHWH  
Grey  
PT9X9LHGY

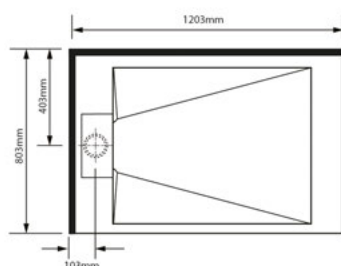
### RH waste



Black  
PT9X9RHBL  
White  
PT9X9RHWH  
Grey  
PT9X9RHGY

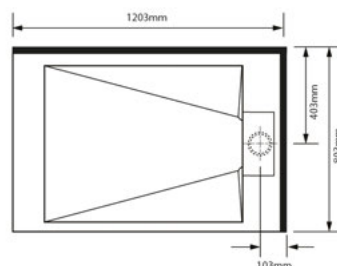
## 1200x800

### LH waste



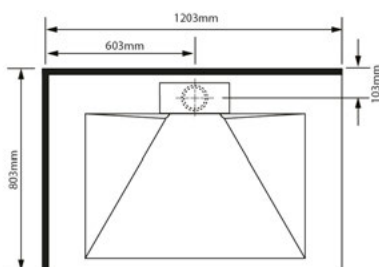
Black  
PT12X8LHSWBL  
White  
PT12X8LHSWWH  
Grey  
PT12X8LHSWG

### RH waste



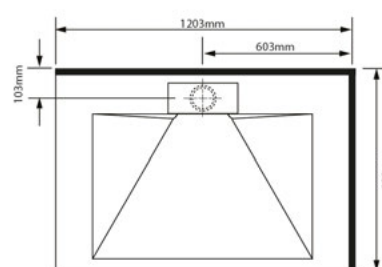
Black  
PT12X8RHSWBL  
White  
PT12X8RHSWWH  
Grey  
PT12X8RHSWG

### LH Rear waste



Black  
PT12X8LHRCWBL  
White  
PT12X8LHRCWWH  
Grey  
PT12X8LHRCWG

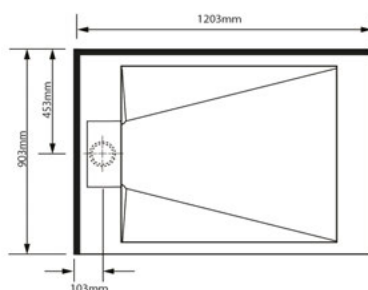
### RH Rear waste



Black  
PT12X8RHRCWBL  
White  
PT12X8RHRCWWH  
Grey  
PT12X8RHRCWG

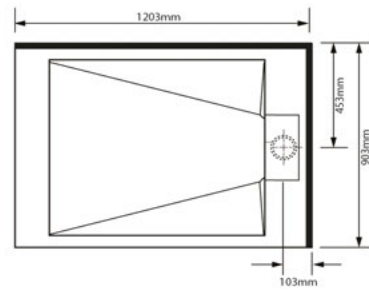
## 1200x900

### LH waste



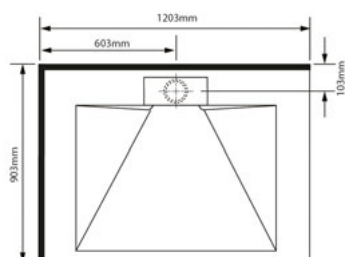
Black  
PT12X9LHSWBL  
White  
PT12X9LHSWWH  
Grey  
PT12X9LHSWG

### RH waste



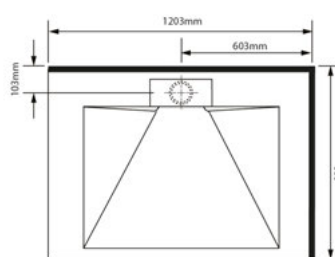
Black  
PT12X9RHSWBL  
White  
PT12X9RHSWWH  
Grey  
PT12X9RHSWG

### LH Rear waste



Black  
PT12X9LHRCWBL  
White  
PT12X9LHRCWWH  
Grey  
PT12X9LHRCWG

### RH Rear waste

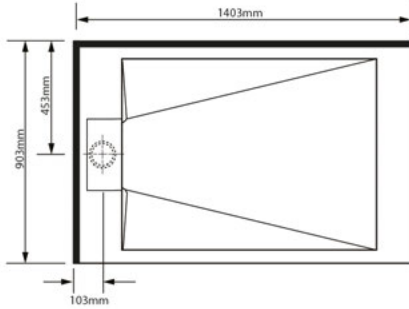


Black  
PT12X9RHRCWBL  
White  
PT12X9RHRCWWH  
Grey  
PT12X9RHRCWG



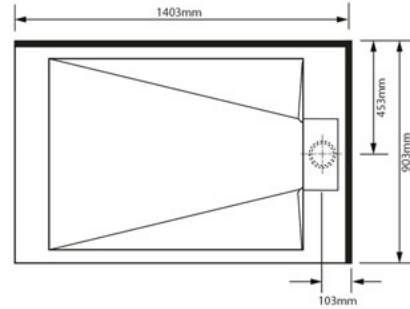
## 1400x900

LH waste



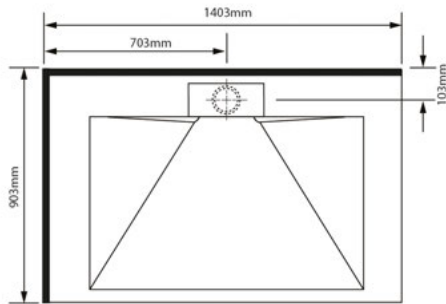
Black  
PT14X9LHSWBL  
White  
PT14X9LHSWWH  
Grey  
PT14X9LHSWGY

RH waste



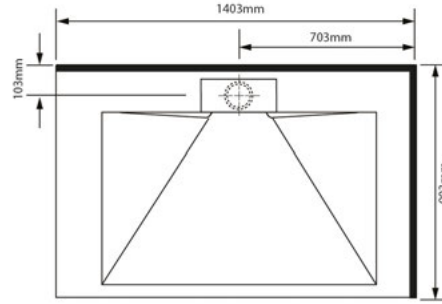
Black  
PT14X9RHSWBL  
White  
PT14X9RHSWWH  
Grey  
PT14X9RHSWGY

LH Rear waste



Black  
PT14X9LHRCWBL  
White  
PT14X9LHRCWWH  
Grey  
PT14X9LHRCWGY

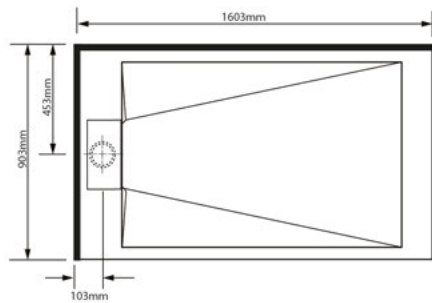
RH Rear waste



Black  
PT14X9RHRCWBL  
White  
PT14X9RHRCWWH  
Grey  
PT14X9RHRCWGY

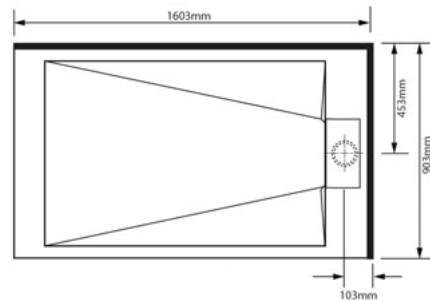
## 1600x900

LH waste



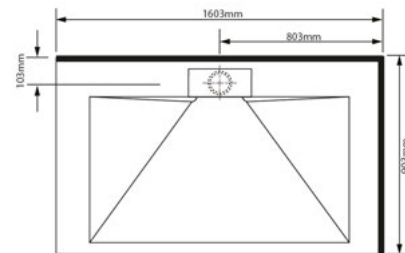
Black  
PT16X9LHSWBL  
White  
PT16X9LHSWWH  
Grey  
PT16X9LHSWGY

RH waste



Black  
PT16X9RHSWBL  
White  
PT16X9RHSWWH  
Grey  
PT16X9RHSWGY

RH Rear waste



Black  
PT16X9RHRCWBL  
White  
PT16X9RHRCWWH  
Grey  
PT16X9RHRCWGY

## Easy clean waste

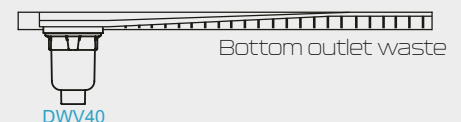
Pinnacle trays are supplied STANDARD with a side outlet easy clean waste. A bottom outlet waste is an option. This waste is specific to Pinnacle trays.

Please specify SKU - **BOTTOMEXIT** when ordering.



Side outlet waste

DWV40



Bottom outlet waste

DWV40

# Complete Cubicles

Ordering a Symphony Shower cubicle with a Pinnacle tray upgrade is as easy as 1,2,3.

If you are upgrading Tray AND wall linings on showers above 1200x1000mm you will need to order the tray, linings, and doors as individual components.

## Step 1

Identify the size, the upstand configuration, eg LH or RH, and the waste position of the Pinnacle shower tray you plan to install using this brochure.

## Step 2

Go to the Symphony Showers brochure, and identify the door type you wish to install onto your tray.

Then identify the cubicle which matches

- a. The same size Pinnacle tray
- b. The same LH and RH configuration of the Pinnacle tray required.

## Step 3

Order the correct codes by simply -

- a. Ordering the shower using the code selected in Step 2.
- b. Adding one of the following codes for the Pinnacle tray to be added  
White Tray - Add PTUPGRADEWHITE  
Black Tray - Add PTUPGRADEBLACK  
Grey Tray - Add PTUPGRADEGREY

- c. Finally, specify the waste position of the tray on your purchase order by placing a comment noting either -  
LH Waste  
Rear Waste  
RH Waste



Pictured - 1200 x 900 Symphony Premier frameless sliding door RH Tray Black door.  
SKU Code SP12X9BLFWRH



Pictured - 1200 x 900 Symphony Premier frameless sliding door Grey Pinnacle tray with RH Waste and Black door.

To Order this then the following should be shown on the order  
SP12X9BLFWRH , PTUPGRADEGREY,  
then comment RH Waste

## Tile patterned wall linings

Fibre Systems also offer SMC wall linings designed specifically for wet areas.

Enjoy the look of tiles, with the watertightness of a shower liner.

Easy-clean, gloss finish with no grout or exposed silicone joints to collect dirt or create mould zones.

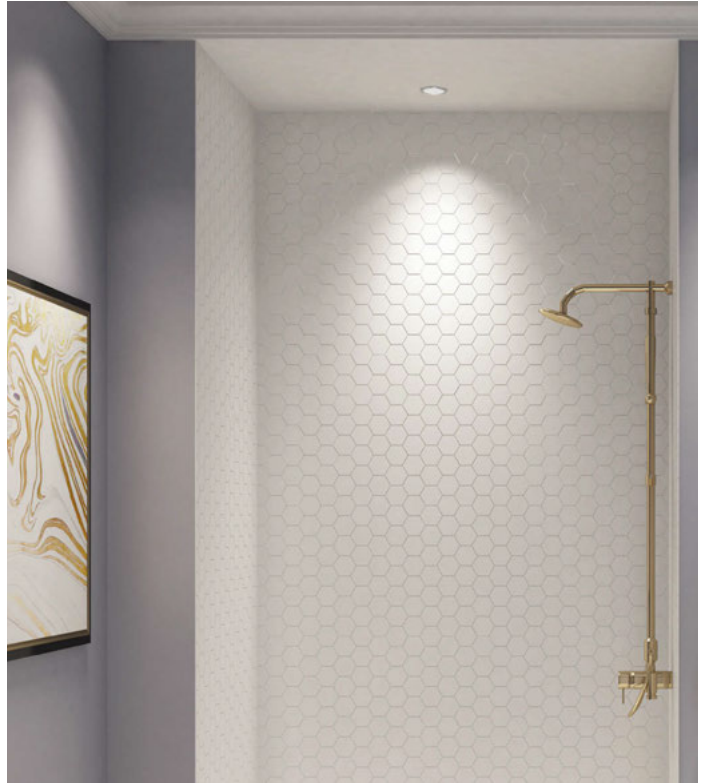
Supplied in complete "upgrade kits" for your Symphony shower cubicle, or as individual sheets.

Supplied in 2000H x 1200W x 3.2mm thick sheets.

Individual corner and straight joiners, and edge cappings also sold separately.

Easy to install.

Remove the requirement for waterproofing, tiling and consent delays.



Pictured - 900x1200x900 Alcove installation with hex white pattern walls



Pictured - 1200x900 Symphony Frameless Black LH with 2 sided Subway tile upgrade

**SKU CODES**  
**SP12X9BLFWLH**  
 then add **PWALLUGSUBWAY2S**

## Ordering Codes

### UPGRADE KITS

For shower sizes above 1200x1000mm wall upgrade kits are not available, the only way to do this is in individual components.

#### SUBWAY

PWALLUGSUBWAY2S 2 sided shower subway gloss white

PWALLUGSUBWAY3S 3 sided shower subway gloss white

#### HEXAGONAL

PWALLUGHEXAGON2S 2 sided shower hexagon gloss white

PWALLUGHEXAGON3S 3 sided shower hexagon gloss white

### SINGLE SHEETS + COMPONENTS

#### SUBWAY

PWALLSUBWAYWH 1200wx2000h subway gloss white sheet

#### HEXAGONAL

PWALLHEXAGONWH 1200wx2000h hexagon gloss white

PWALLCORNER Corner wall joiner Silva

PWALLSTRAIGHT Straight wall joiner Silva

PWALLEDGE Edge wall capping Silva

## Slate and textured walls

Fibre Systems also offer SMC wall linings designed specifically for wet areas.

A natural textured wall lining colour matched to Pinnacle trays.

Easy-clean, natural finish with no grout or exposed silicone joints to collect dirt or create mould zones.

Supplied in complete "upgrade kits" for your Symphony shower cubicle or as individual sheets.

Supplied in 2000H x 1200W x 3.2mm thick sheets.

Easy to Install.



Pictured - 900x1200x900 Alcove installation black slate wall linings

## Ordering Codes

### UPGRADE KITS

For shower sizes above 1200x1000mm wall upgrade kits are not available, the only way to do this is in individual components.

### SLATE

PWALLUGSLATEBL2S	2 sided shower black slate
PWALLUGSLATEBL3S	3 sided shower black slate
PWALLUGSLATEGREY2S	2 sided shower grey slate
PWALLUGSLATEGREY3S	3 sided shower grey slate
PWALLUGSLATEWH2S	2 sided shower white slate
PWALLUGSLATEWH3S	3 sided shower white slate

### TEXTURED VERTICAL TILE

PWALLUGVTEXBL2S	2 sided shower black VTEX
PWALLUGVTEXBL3S	3 sided shower black VTEX
PWALLUGVTEXGREY2S	2 sided shower grey VTEX
PWALLUGVTEXGREY3S	3 sided shower grey VTEX
PWALLUGVTEXWH2S	2 sided shower white VTEX
PWALLUGVTEXWH3S	3 sided shower white VTEX

### SINGLE SHEETS + COMPONENTS

PWALLSLATEBL	1200wx2000h slate black sheet
PWALLSLATEGREY	1200wx2000h slate grey sheet
PWALLSLATEWH	1200wx2000h slate white sheet
PWALLVTEXBL	1200wx2000h VTEX black sheet
PWALLVTEXGREY	1200wx2000h VTEX grey sheet
PWALLVTEXWH	1200wx2000h VTEX white sheet
PWALLCORNER	Corner wall joiner Silva
PWALLSTRAIGHT	Straight wall joiner Silva
PWALLEDGE	Edge wall capping Silva



Pictured - 900x1200x900 Alcove installation vertical textured tile white