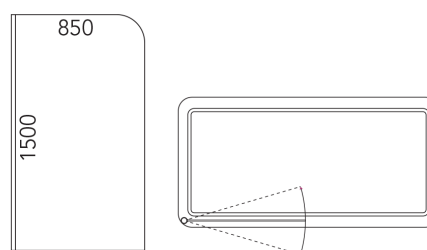
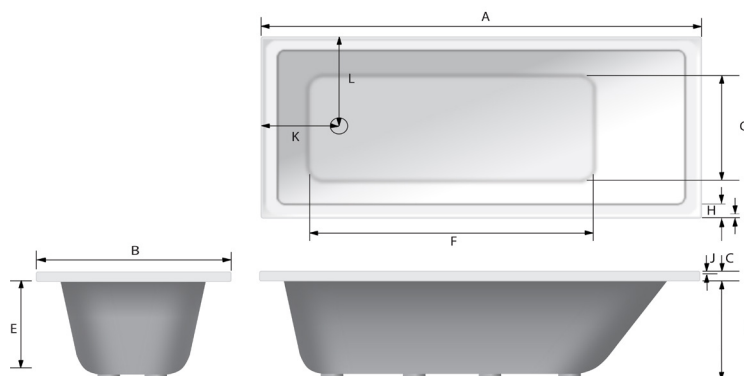


# Vida Single Swing Bath Set



Pictured - Vida 1675mm Single Panel Flat Wall Bath Set  
SKU - **BSC1675BLFWSP**

Swing panel swings in and out of bath providing wide, easy access to bath and tapware.

## DESCRIPTION

The Vida Bath Set is design as the complete answer to a shower over bath installation. The wall liner provides a large waterproof area of protection, and the bath is solid and offers a large showering area.

The Vida Bath Set is a complete pack which includes the Bath, the Bath Screen and a 2 Sided Wall Liner.

Also available as an ALCOVE set with a 3 Sided Wall Liner.

All of these items can be purchased as individual items also.

There is also an optional bath skirt which is installed around the bath - this is sold as an individual item and IS NOT supplied in the standard bath set package.

## FEATURES

- Bath surface is 100% solid acrylic
- 850mm water protection single panel bathscreen
- One piece wall liner
- 15mm pressed upstand around perimeter of bath
- Generous showering / bathing area
- Bath stands on support rings
- Available in White, Silva and Black

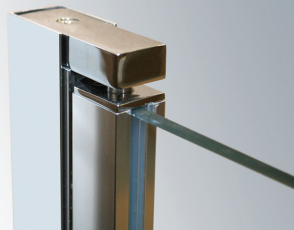
## LEGEND

Dimension	Description	Bath Size		
		1525mm	1675mm	1800mm
A	Bath Length	1525mm	1675mm	1800mm
B	Bath Width	760mm	760mm	760mm
C	Lip Height	40mm	40mm	40mm
D	External Depth (less lip, incl feet) +/- 3mm	430mm	430mm	430mm
E	Internal Depth (less lip)	420mm	420mm	420mm
F	Internal Length of Floor	1025mm	1180mm	1300mm
G	Internal Width of Floor	440mm	440mm	440mm
H	Rim Width	80mm	80mm	80mm
I	Upstand thickness +/- 2mm	7mm	7mm	7mm
J	Upstand Height	15mm	15mm	15mm
K	Waste Depth to edge of Bath	290mm	290mm	290mm
L	Waste Width to edge of Bath	380mm	380mm	380mm

## ORDERING CODES

Product Description	SKU CODE		
	1525mm	1675mm	1800mm
Complete Set (incl Bath/FLAT Wall Liner/Single Swing Panel) White	BSC1525WHFWSP	BSC1675WHFWSP	BSC1800WHFWSP
Complete Set (incl Bath/FLAT Wall Liner/Luxury Single Swing Panel) Silva	BSC1525SIFWSP	BSC1675SIFWSP	BSC1800SIFWSP
Complete Set (incl Bath/FLAT Wall Liner/Luxury Single Swing Panel) Black	BSC1525BLFWSP	BSC1675BLFWSP	BSC1800BLFWSP
Complete Set ALCOVE (incl Bath/3 Sided FLAT Wall Liner/Single Swing Panel) White	BSC1525WHFWSP3S	BSC1675WHFWSP3S	BSC1800WHFWSP3S
Complete Set ALCOVE (incl Bath/3 Sided FLAT Wall Liner/Luxury Single Swing Panel) Silva	BSC1525SIFWSP3S	BSC1675SIFWSP3S	BSC1800SIFWSP3S
Complete Set ALCOVE (incl Bath/3 Sided FLAT Wall Liner/Luxury Single Swing Panel) Black	BSC1525BLFWSP3S	BSC1675BLFWSP3S	BSC1800BLFWSP3S
Luxury Single Swing Bath Panel Only 1500mm x 850mm White	BC850WH15	BC850WH15	BC850WH15
Luxury Single Swing Bath Panel Only 1500mm x 850mm Silva	BC850SI15	BC850SI15	BC850SI15
Luxury Single Swing Bath Panel Only 1500mm x 850mm Black	BC850BL15	BC850BL15	BC850BL15
Bath Only White	BTHVIDA1525	BTHVIDA1675	BTHVIDA1800
Wall Liner 1550mm High White 2 Sided Flat	LBATH1525FW2S	LBATH1675FW2S	LBATH1800FW2S
Wall Liner 1550mm High 3 Sided Flat Wall	LBATH1525FW3S	LBATH1675FW3S	LBATH1800FW3S
Bath Skirt Only White (760mm wide x 430mm) High 2 Sided	LBATHSKIRT15252S	LBATHSKIRT16752S	LBATHSKIRT18002S
Bath Skirt Only White (760mm wide x 430mm) High 1 Sided	LBATHSKIRT15251S	LBATHSKIRT16751S	LBATHSKIRT18001S

Luxury Single Silva Hinge



## WARRANTY INFORMATION

All bathroomware products supplied by Fibre Systems carry our Quality Assurance and Product Warranty. We use the highest quality materials available and manufacture these in accordance with New Zealand specifications and requirements to ensure that all products are fit for the intended purpose for which they are designed. Our customer's peace of mind is of paramount importance to us.

### Warranty Periods

Baths	10 years
Showers	10 years
Shower Screens and Doors	10 years
Silva and White Coatings	10 years
E-Line + Squareline + Dezine Showers	5 years
Black Coatings	5 years
Aquaknight Easy Clean Wastes	7 years
Accessories	2 years

### Warranty Exclusions

The product must be installed according to the instructions supplied.

The water supply temperature applied to the product must not exceed 55 degrees Celsius.

All cleaning and cleaning products must be in accordance with our cleaning instructions and guidance.

Commercial Applications (where products are installed in a building where occupancy is via a commercial arrangement i.e. a rental property, hotel, hostel etc) are restricted to a 2 year warranty on all products.



## CLEANING AND MAINTENANCE

Please refer to our cleaning instructions document for guidance - available on our website.