



**fibre**  
systems

raising the standard in showers  
since 1986



**symphony**  
showersystems

**PINNACLE  
COLLECTION**

**2024**





NATURAL  
STRENGTH

FORGING NEW  
PATHWAYS



EMBRACING  
NATURE



Pinnacle shower trays utilise new technology and materials to reimagine natural durability and strength.

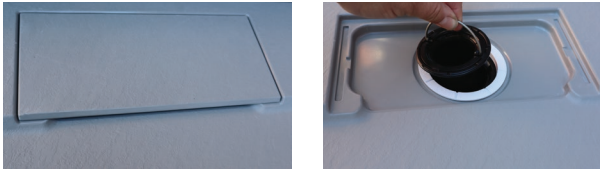
Embracing nature in your bathroom has never been easier.



# Tray Features

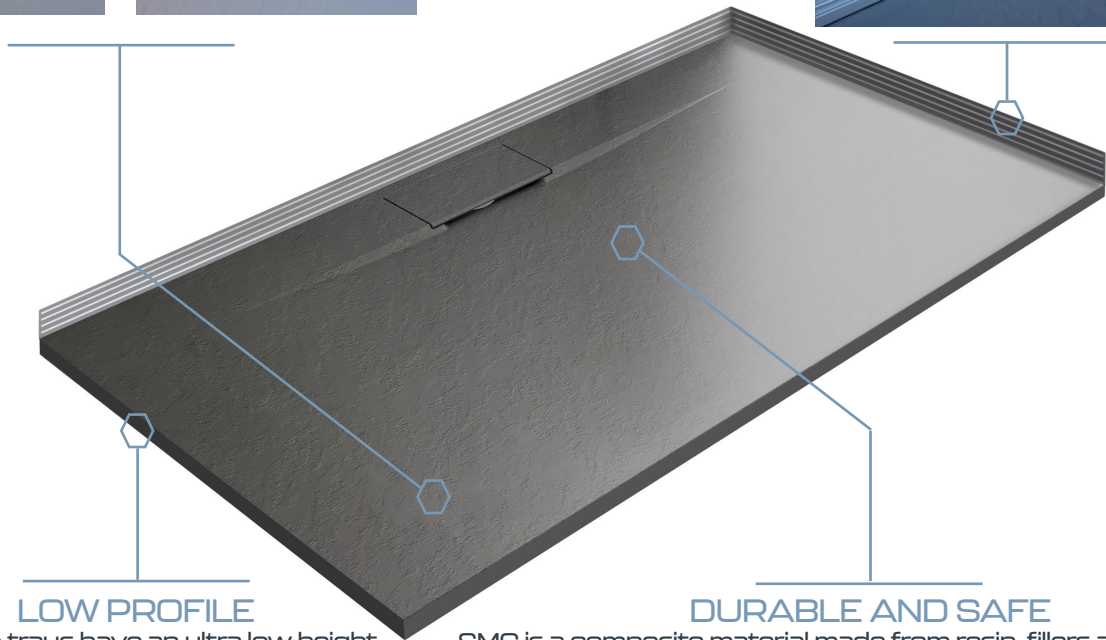
## SEAMLESS DESIGN

Symphony Pinnacle trays feature a hidden waste design. An easy clean waste is hidden under a cover lid. Water exits the tray via a waste "slot" and when cleaning is required, the lid easily lifts up revealing the waste and the removable waste bucket.



## WATERTIGHT STRENGTH

Watertightness is just as important as strength. That's why Pinnacle trays feature factory-fitted 30mm high Aluminium Upstands which feature horizontal ribs to aid sealant or waterproofing material retention



## LOW PROFILE

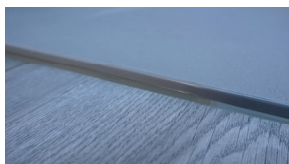
Pinnacle trays have an ultra low height profile of 26mm. This could easily be lowered with flooring installation up to the side of the tray.

Pinnacle trays can also be recessed into the floor if required.

Ultra low 26mm height profile



Easily reduced by flooring substrate



## DURABLE AND SAFE

SMC is a composite material made from resin, fillers and glass fibre.

The material is poured into precision alloy moulds at over 150°C and compressed, leaving a precise, solid form which will not distort, discolour, or break down after years of use.

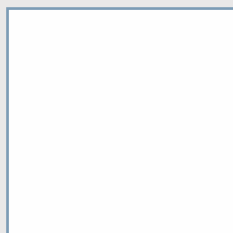
The surface is finished to mimic natural slate, which also provides a non-slip finish for added safety.

Pinnacle shower trays simply outperform all other trays in weight handling and load durability

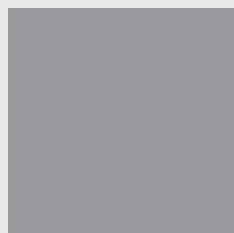


## COLOUR OPTIONS

Pinnacle trays are available in 3 naturally finished colours.



Natural White



Natural Grey



Natural Black

**NEW! - White/ Marble effect trays in limited sizes**

# Wall Lining Features

## EASY TO CLEAN

Symphony Pinnacle Wall Linings are available in Slate, and Tiled patterns. All effects and tile patterns are moulded - not milled into the sheet providing smooth easy to clean "grout effect lines".

## EASY TO INSTALL

Pinnacle Wall Linings are supplied in standard 2000mm high x 1200mm wide sheets.

All Wall Linings are easy to cut to size to suit the width of your shower. All panels are easy to drill, lightweight and durable to handle, and have a compliment of colour coded corner and straight joiners which fit to the sheets with ease.



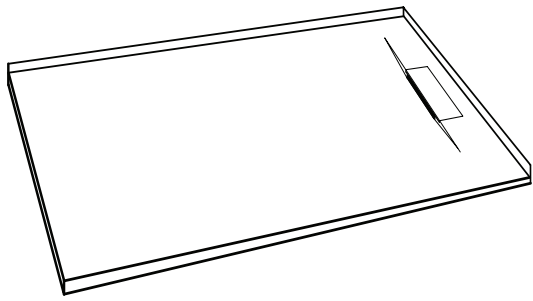
## QUALITY AESTHETICS

Every sheet of Pinnacle Wall lining is manufactured identical to the next, tile and pattern alignment is easy.

## DURABLE SAFE AND EFFICIENT

Symphony Pinnacle Wall Linings are manufactured from the same SMC material as Pinnacle Trays providing a durable sheet which is strong but lightweight, easy to adhere to wall substrates and which will not fade, and dull over time.

## CONFIGURATION OPTIONS



### Tray Only

Pinnacle shower trays can be purchased as a tray only, complete with factory fitted upstand. Trays are supplied standard with a side outlet easy clean waste, bottom outlet is an optional code.

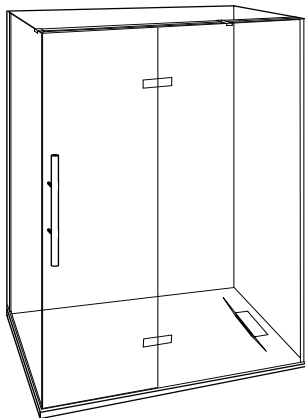
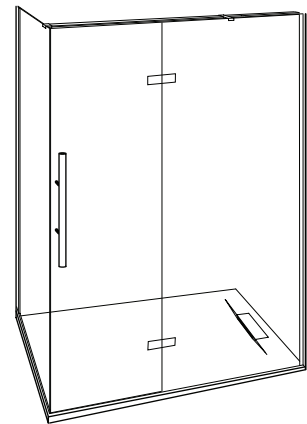
This allows you to finish your walls and enclosure with your own and choice of materials or door systems.

Please remember to check our tray specification sheets to ensure our tray will suit your installation requirements.

### Tray + Enclosure Glass

Another option is to purchase a shower tray AND door system. This allows for flexibility with wall substrates and finishes, but means the tray and door systems will work seamlessly.

Remember to check our door specification sheets as our door systems are designed to fit our trays, and it is important to ensure they will work within your project measurements.



### Complete Cubicle

And the most popular option is to purchase a complete shower cubicle. This provides a simple to install, leak free installation which is very easy to clean and cost effective to install.

Simply add the Pinnacle tray upgrade to any applicable Symphony Shower cubicle.

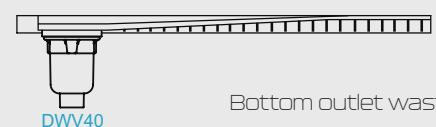
## EASY CLEAN WASTE

Pinnacle trays are supplied STANDARD with a side outlet easy clean waste. A bottom outlet waste is an option. This waste is specific to Pinnacle trays.

Please specify SKU - BOTTOMEXIT when ordering.



Side outlet waste



Bottom outlet waste

# Pinnacle Alcove Trays

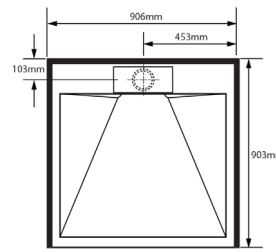
## 900x900x900

900x900x900 Alcove trays are the perfect tray for the small ensuite, or laundry to bathroom conversion.

These trays can be fitted with both our Frameless and framed pivoting door showers, however space saving stacking doors can also be fitted where external space is limited.

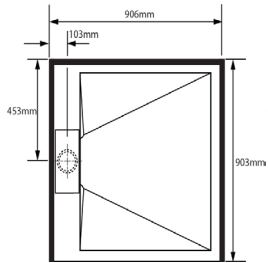
- Limited projection into bathroom
- 3 waste outlet options
- Suit pivot and stacking doors
- Perfect replacement standard size shower enclosures

### Rear waste



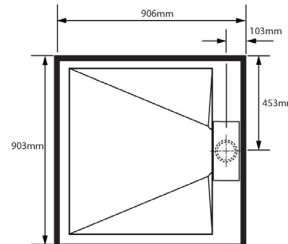
- Black  
PT9X9X9RCWBL
- White  
PT9X9X9RCWWH
- Grey  
PT9X9X9RCWGY
- Marble  
PT9X9X9RCWMARBLEWH

### LH waste



- Black  
PT9X9X9LHBL
- White  
PT9X9X9LHWH
- Grey  
PT9X9X9LHGY
- Marble  
PT9X9X9LHMARBLEWH

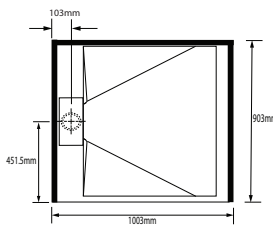
### RH waste



- Black  
PT9X9X9RHBL
- White  
PT9X9X9RHWH
- Grey  
PT9X9X9RHGY
- Marble  
PT9X9X9RHMARBLEWH

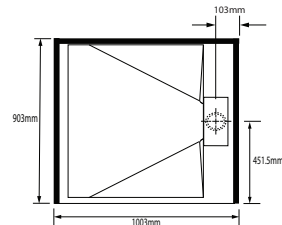
## 900x1000x900

### LH waste



- Black  
PT9X1X9LHBL
- White  
PT9X1X9LHWH
- Grey  
PT9X1X9LHGY

### RH waste



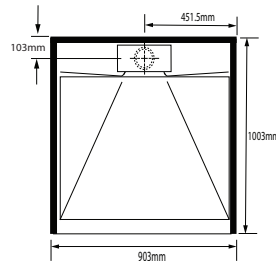
- Black  
PT9X1X9RHBL
- White  
PT9X1X9RHWH
- Grey  
PT9X1X9RHGY

## 1000x900x1000

1000x900x1000 Alcove trays provide a little extra depth where a 900mm wide tray only can fit. Every centimeter counts in small bathrooms so you can go just that little bit larger without compromising width.

- Increased projection into bathroom
- 1 waste outlet option
- Suit pivot and stacking doors
- when you've only got 900mm side, but depth is more flexible

### Rear waste



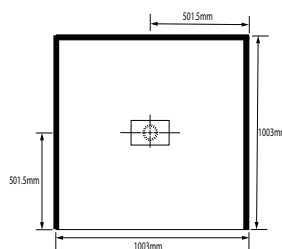
- Black  
PT1X9X1RCWBL
- White  
PT1X9X1RCWWH
- Grey  
PT1X9X1RCWGY

## 1000x1000x1000

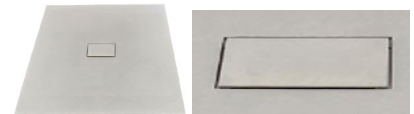
1000x1000x1000 Alcove trays are more than adequate for showering in luxury. These trays can be fitted with both our frameless and framed pivoting door showers, however space saving stacking and corner sliding doors can provide maximum internal and external space around the shower.

- Limited projection into bathroom
- 1 waste outlet option
- Suit pivot, stacking doors, and corner sliding doors

### Centre waste



- Black  
PT1X1X1BLOW
- White  
PT1X1X1WHCW
- Grey  
PT1X1X1GYCW



Rectangular Waste Lid

# Pinnacle Alcove Trays

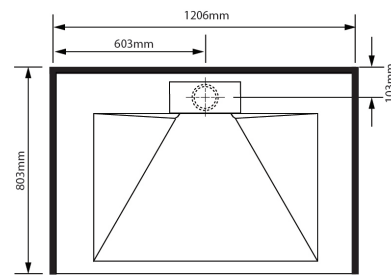
## 800x1200x800

800x1200x800 Alcove trays are the ultimate space saver, providing ample width, but limiting your showering area projection into the rest of the bathroom.

Sliding doors also aid space saving and keep water in the showering area.

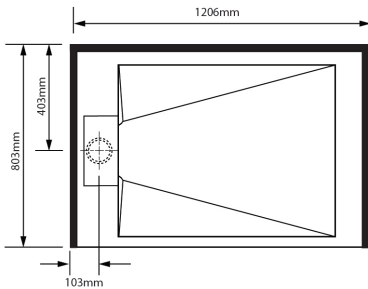
- Limited projection into bathroom
- 3 waste outlet options
- Suit pivot and sliding doors
- Perfect replacement for a 3 sided Shub.

### Rear waste



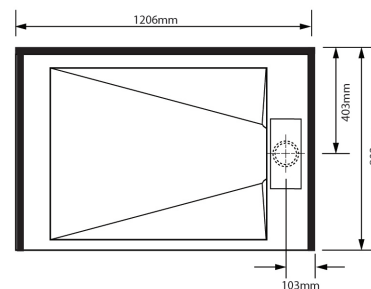
- Black  
PT8X12X8RCWBL
- White  
PT8X12X8RCWWH
- Grey  
PT8X12X8RCWGY

### LH waste



- Black  
PT8X12X8LHBL
- White  
PT8X12X8LHWH
- Grey  
PT8X12X8LHGY

### RH waste



- Black  
PT8X12X8RHBL
- White  
PT8X12X8RHWH
- Grey  
PT8X12X8RHGY

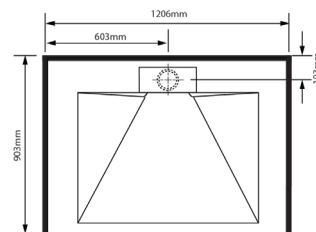
## 900x1200x900

900x1200x900 Alcove trays provide luxurious interior space and do not extend deeper than a standard shower, they can fit into almost every bathroom space.

Pinnacle trays offer 3 outlet positions to cater for all waste and water outlet positions.

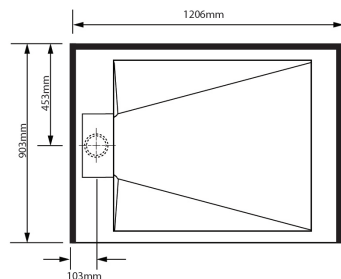
- Luxurious interior space.
- 3 waste outlet options
- Suit pivot and sliding doors
- Perfect replacement for a 3 sided Shub.
- Same projection as standard 900mm shower

### Rear waste



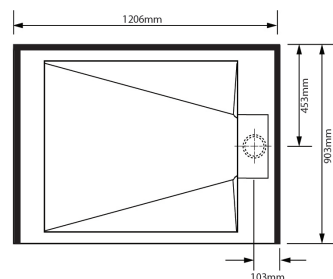
- Black  
PT9X12X9RCWBL
- White  
PT9X12X9RCWWH
- Grey  
PT9X12X9RCWGY

### LH waste



- Black  
PT9X12X9LHBL
- White  
PT9X12X9LHWH
- Grey  
PT9X12X9LHGY
- Marble  
PT9X12X9LHMARBLEWH

### RH waste



- Black  
PT9X12X9RHBL
- White  
PT9X12X9RHWH
- Grey  
PT9X12X9RHGY
- Marble  
PT9X12X9RHMARBLEWH

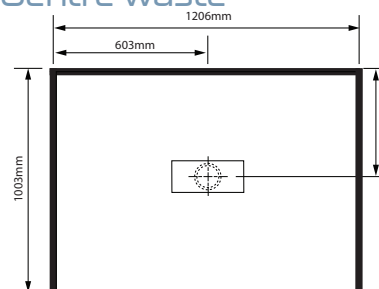
## 1000x1200x1000

1000x1200x1000 Alcove trays provide a little extra depth where a 900mm wide tray only can fit.

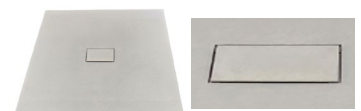
At 1200mm wide door selection is higher with a range of framed and frameless pivot and sliding door options.

- Increased projection into bathroom
- 1 waste outlet option
- Suit pivot and sliding doors
- 1200mm width with extra depth

### Centre waste



- Black  
PT1X12X1BL
- White  
PT1X12X1WH
- Grey  
PT1X12X1GY



Rectangular Waste Lid



# Pinnacle Alcove Trays

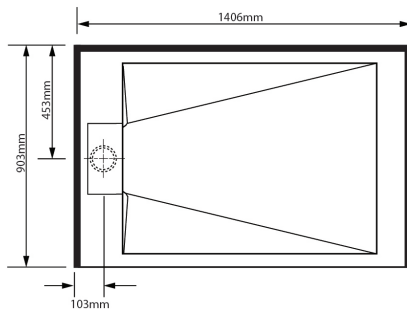
## 900x1400x900

900x1400x900 Alcove trays can create new options for bathrooms. Removing a shower over bath or Shub? Add luxury and space by optimising the width available, but keeping a similar projection into the bathroom.

Pinnacle trays offer 3 waste outlet positions to cater for all waste and water outlet positions.

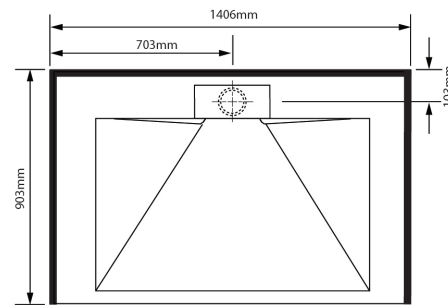
- Standard 900mm projection
- 3 waste options
- Suit pivot and sliding doors
- Perfect replacement for a 3 sided Shub shower over bath.
- Fill one end wall of the bathroom with a spacious shower.

### LH waste



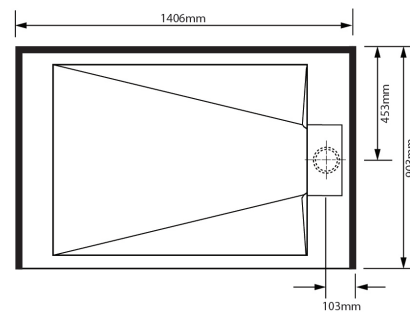
Black  
PT9X14X9LHBL  
White  
PT9X14X9LHWH  
Grey  
PT9X14X9LHGY

### Rear waste



Black  
PT9X14X9RCWBL  
White  
PT9X14X9RCWWH  
Grey  
PT9X14X9RCWGY

### RH waste



Black  
PT9X14X9RHBL  
White  
PT9X14X9RHWH  
Grey  
PT9X14X9RHGY

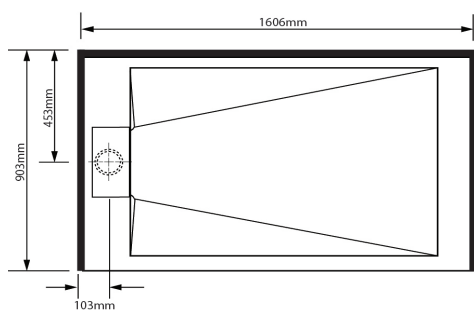
## 900x1600x900

900x1600x900 Alcove trays provide a huge showering space. The ultimate replacement for a 3 sided shower over bath, or design with a complete wall to be a showering paradise.

Pinnacle trays offer 3 waste outlet positions to cater for all waste and water outlet positions.

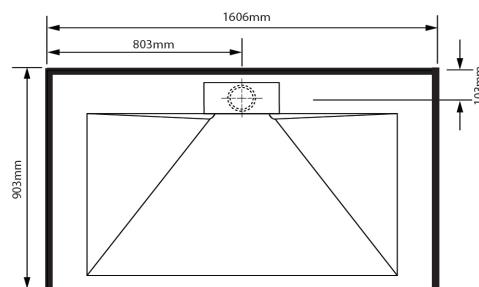
- Standard 900mm projection
- 3 waste outlet options
- Suit pivot and sliding doors
- Perfect replacement for a 3 sided Shub. shower over bath.
- Fill one end wall of the bathroom with a spacious shower.

### LH waste



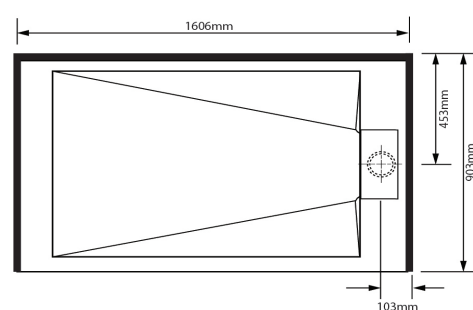
Black  
PT9X16X9LHBL  
White  
PT9X16X9LHWH  
Grey  
PT9X16X9LHGY

### Rear waste



Black  
PT9X16X9RCWBL  
White  
PT9X16X9RCWWH  
Grey  
PT9X16X9RCWGY

### RH waste



Black  
PT9X16X9RHBL  
White  
PT9X16X9RHWH  
Grey  
PT9X16X9RHGY

## EASY CLEAN WASTE

Pinnacle trays are supplied STANDARD with a side outlet easy clean waste. A bottom outlet waste is an option. This waste is specific to Pinnacle trays.

Please specify SKU - **BOTTOMEXIT** when ordering.



Side outlet waste



Bottom outlet waste

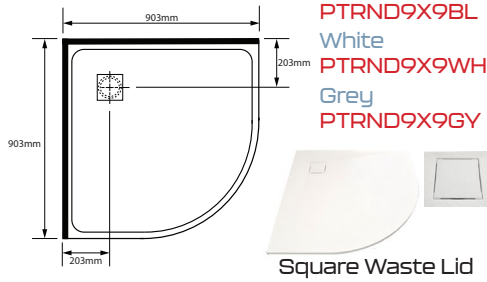
DWV40



# Pinnacle 2 Sided Trays

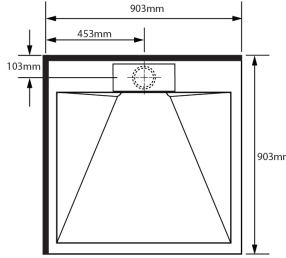
## 900x900

Round Corner



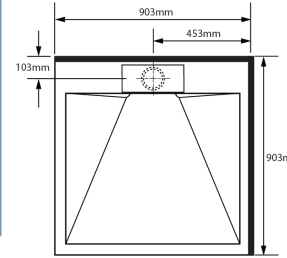
Black  
PTRND9X9BL  
White  
PTRND9X9WH  
Grey  
PTRND9X9GY

LH waste



Black  
PT9X9LHBL  
White  
PT9X9LHWH  
Grey  
PT9X9LHGY  
Marble  
PT9X9LH  
MARBLEWH

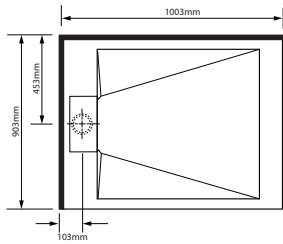
RH waste



Black  
PT9X9RHBL  
White  
PT9X9RHWH  
Grey  
PT9X9RHGY  
Marble  
PT9X9RH  
MARBLEWH

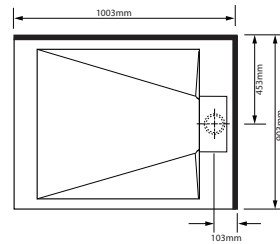
## 1000x900

LH waste



Black  
PT1X9LHBL  
White  
PT1X9LHWH  
Grey  
PT1X9LHGY

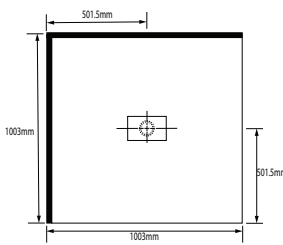
RH waste



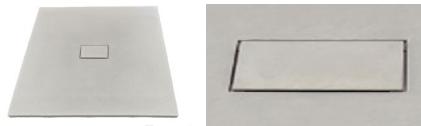
Black  
PT1X9RHBL  
White  
PT1X9RHWH  
Grey  
PT1X9RHGY

## 1000x1000

LH Centre waste

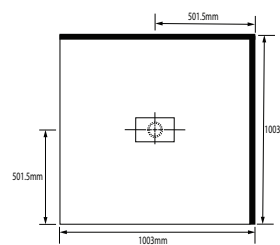


Black  
PT1X1LHBLCW  
White  
PT1X1LHWHCW  
Grey  
PT1X1LHGycw

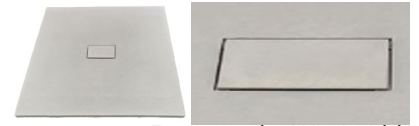


Rectangular Waste Lid

RH Centre waste



Black  
PT1X1RHBLCW  
White  
PT1X1RHWHCW  
Grey  
PT1X1RHGYCW



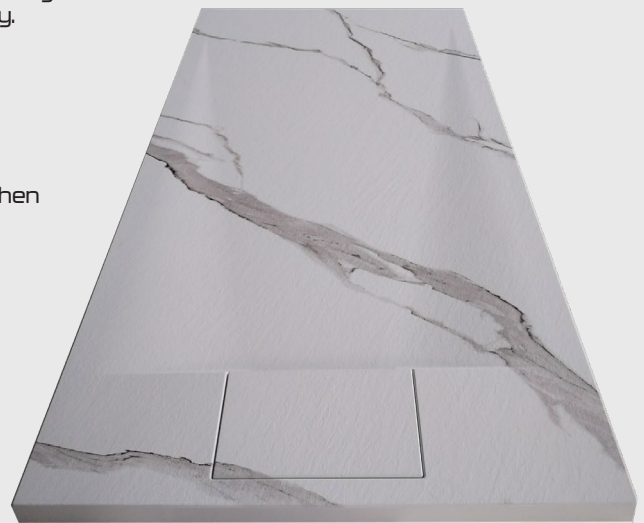
Rectangular Waste Lid

## NEW - MARBLE WHITE TRAY

In a very limited range of sizes and configurations, we have launched our very latest color / finish option. Marble effect patterning on a natural white tray.

Designed to offer another "stone effect" finish option to suit luxury bathroom interiors, this latest finish is both naturally attractive and durable.

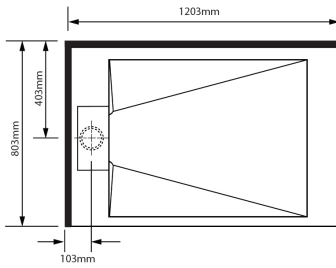
Available ONLY in sizes 1200x900, 900x1200x900, 900x900 Square, this tray compliments all our wall lining options, and is highly attractive when installed in conjunction with Slate natural finish linings.



# Pinnacle 2 Sided Trays

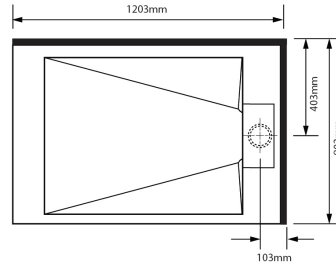
## 1200x800

LH waste



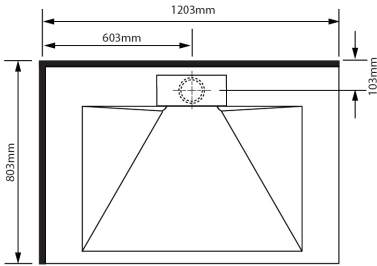
Black  
PT12X8LHSWBL  
White  
PT12X8LHSWWH  
Grey  
PT12X8LHSWGY

RH waste



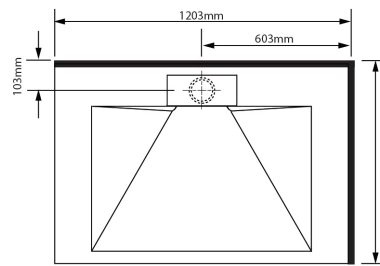
Black  
PT12X8RHSWBL  
White  
PT12X8RHSWWH  
Grey  
PT12X8RHSWGY

LH Rear waste



Black  
PT12X8LHRCWBL  
White  
PT12X8LHRCWWH  
Grey  
PT12X8LHRCWGY

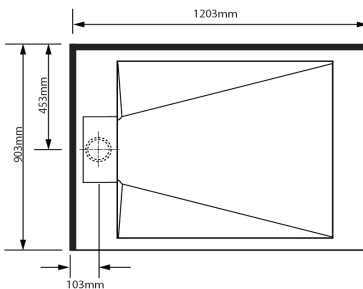
RH Rear waste



Black  
PT12X8RHRCWBL  
White  
PT12X8RHRCWWH  
Grey  
PT12X8RHRCWGY

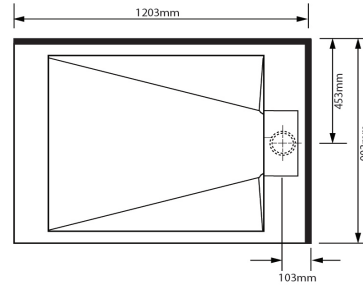
## 1200x900

LH waste



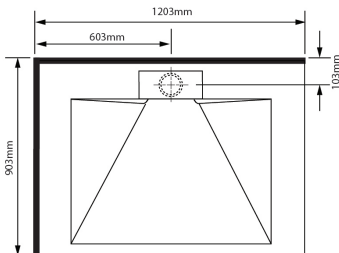
Black  
PT12X9LHSWBL  
White  
PT12X9LHSWWH  
Grey  
PT12X9LHSWGY  
Marble / White  
PT12X9LHSWMBWH

RH waste



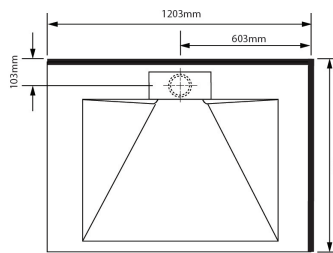
Black  
PT12X9RHSWBL  
White  
PT12X9RHSWWH  
Grey  
PT12X9RHSWGY  
Marble / White  
PT12X9RHSWMBWH

LH Rear waste



Black  
PT12X9LHRCWBL  
White  
PT12X9LHRCWWH  
Grey  
PT12X9LHRCWGY

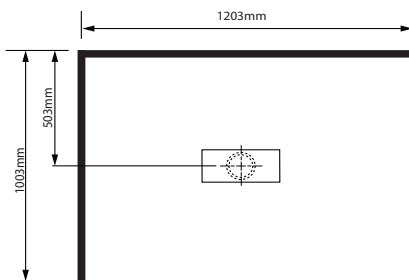
RH Rear waste



Black  
PT12X9RHRCWBL  
White  
PT12X9RHRCWWH  
Grey  
PT12X9RHRCWGY

## 1200x1000

LH Centre waste

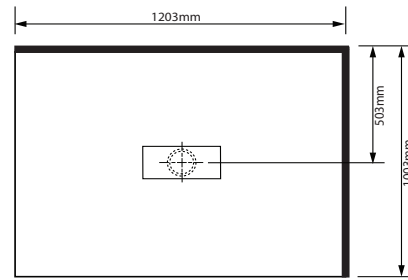


Black  
PT12X1LHBL  
White  
PT12X1LHWH  
Grey  
PT12X1LHGY

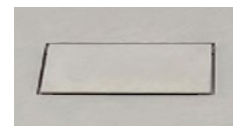


Rectangular Waste Lid

RH Centre waste



Black  
PT12X1RHBL  
White  
PT12X1RHWH  
Grey  
PT12X1RHGY

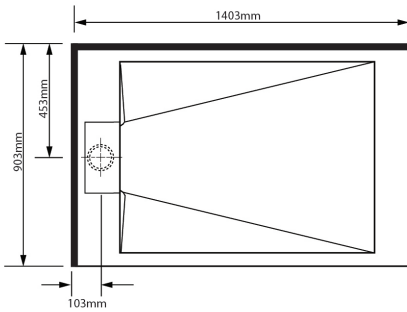


Rectangular Waste Lid Detail

# Pinnacle 2 Sided Trays

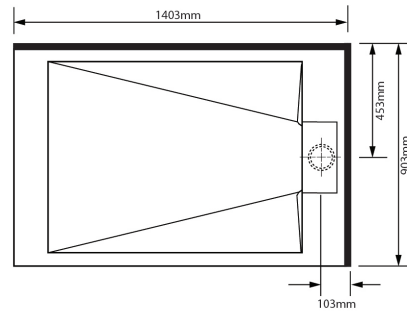
## 1400x900

### LH waste



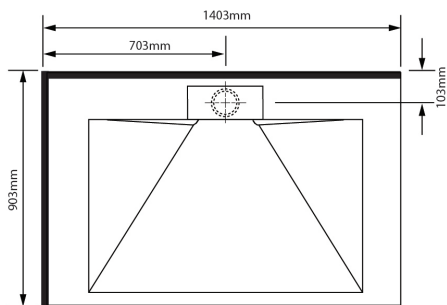
Black  
PT14X9LHSWBL  
White  
PT14X9LHSWWH  
Grey  
PT14X9LHSWGY

### RH waste



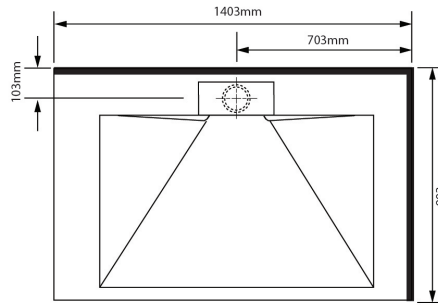
Black  
PT14X9RHSWBL  
White  
PT14X9RHSWWH  
Grey  
PT14X9RHSWGY

### LH Rear waste



Black  
PT14X9LHRCWBL  
White  
PT14X9LHRCWWH  
Grey  
PT14X9LHRCWGY

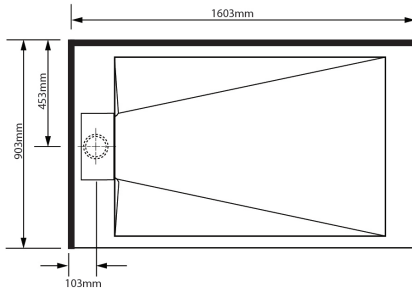
### RH Rear waste



Black  
PT14X9RHRCWBL  
White  
PT14X9RHRCWWH  
Grey  
PT14X9RHRCWGY

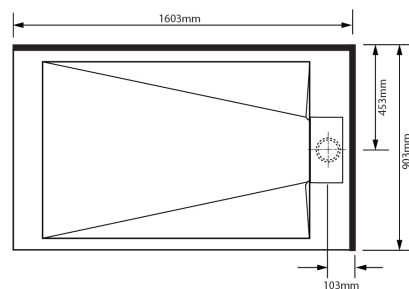
## 1600x900

### LH waste



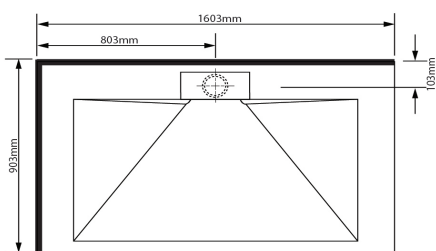
Black  
PT16X9LHSWBL  
White  
PT16X9LHSWWH  
Grey  
PT16X9LHSWGY

### RH waste



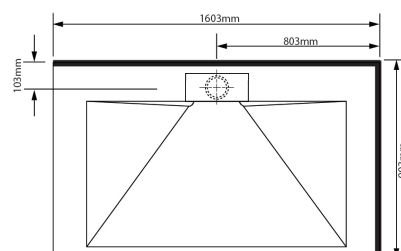
Black  
PT16X9RHSWBL  
White  
PT16X9RHSWWH  
Grey  
PT16X9RHSWGY

### LH Rear waste



Black  
PT16X9LHRCWBL  
White  
PT16X9LHRCWWH  
Grey  
PT16X9LHRCWGY

### RH Rear waste



Black  
PT16X9RHRCWBL  
White  
PT16X9RHRCWWH  
Grey  
PT16X9RHRCWGY

## EASY CLEAN WASTE

Pinnacle trays are supplied STANDARD with a side outlet easy clean waste. A bottom outlet waste is an option. This waste is specific to Pinnacle trays.

Please specify SKU - BOTTOMEXIT when ordering.



Side outlet waste

DWV40



Bottom outlet waste

DWV40



# How To Order

Ordering a Symphony Shower cubicle with a Pinnacle tray upgrade is as easy as 1,2,3.

## Step 1

Identify the size, the upstand configuration, eg LH or RH, and the waste position of the Pinnacle shower tray you plan to install using this brochure.

## Step 2

Go to the Symphony Showers brochure, and identify the door type you wish to install onto your tray.

Then identify the cubicle which matches

- a. The same size Pinnacle tray
- b. The same LH and RH configuration of the Pinnacle tray required.

## Step 3

Order the correct codes by simply -

- a. Ordering the shower using the code selected in Step 2.
- b. Adding one of the following codes for the Pinnacle tray :
  - White Tray - Add PTUPGRADEWHITE
  - Black Tray - Add PTUPGRADEBLACK
  - Grey Tray - Add PTUPGRADEGREY
  - Marble Tray - Add PTUPGRADEMARBLE
- c. Finally, specify the waste position of the tray on your purchase order by placing a comment noting either -
  - LH Waste
  - Rear Waste
  - RH Waste



Pictured - 1200 x 900 Symphony Premier frameless sliding door RH Tray Black door.  
SKU Code SP12X9BLFWRH



Pictured - 1200 x 900 Symphony Premier Frameless Black sliding door and Grey Pinnacle tray with RH Waste .

To Order this then the following should be shown on the order

SP12X9BLFWRH , PTUPGRADEGREY,  
then comment RH Side Waste

## Hexagonal Tiles

Enjoy the look of classic hexagonal tiles, with the watertightness of a shower liner.

Easy-clean, gloss finish with no grout or exposed silicone joints to collect dirt or create mould zones.

Supplied in 2000H x 1200W x 3.2mm thick sheets.

## Ordering Codes

### UPGRADE KITS

**For Shower Sizes UP TO 1200x1000**

PWALLUGHEXAGON2S      2 sided shower  
hexagon gloss white

PWALLUGHEXAGON3S      3 sided shower  
hexagon gloss white

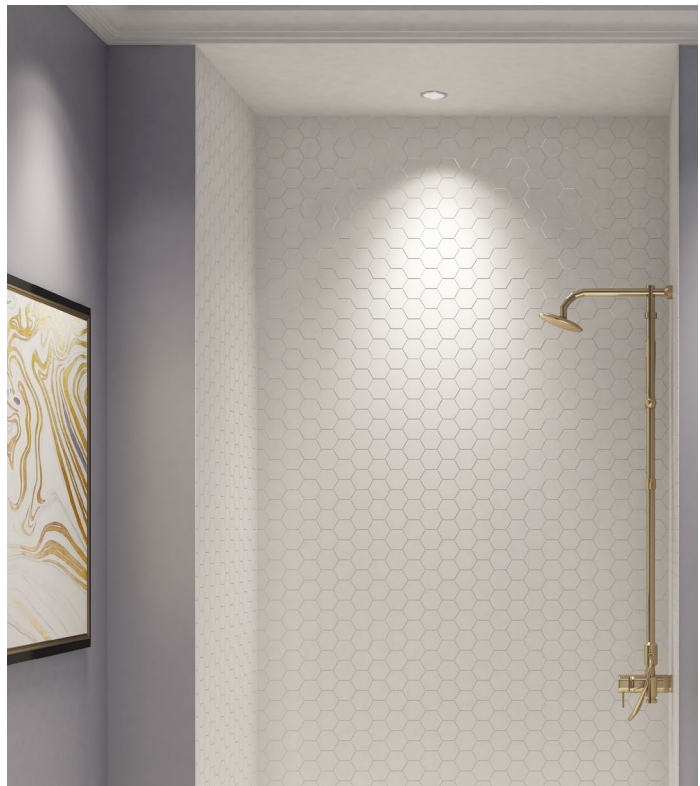
**For Shower Sizes 1400x900 and above**

PWALLUGHEXAGON2SLARGE      2 sided shower  
hexagon gloss white Large

PWALLUGHEXAGON3SLARGE      3 sided shower  
hexagon gloss white Large

### INDIVIDUAL SHEETS

PWALLHEXAGONWH      1200wx2000h hexagon gloss  
white sheet



Pictured - 900x1200x900 Alcove installation with hex white pattern walls



Pictured - 1200x900 Symphony Frameless Black LH with 2 sided Subway tile upgrade

**SKU CODES**  
SP12X9BLFWLH  
then add PWALLUGSUBWAY2S

## Subway Tiles

The timeless design of gloss white Subway tiles with the watertightness of a shower liner.

Easy-clean, gloss finish with no grout or exposed silicone joints to collect dirt or create mould zones.

Supplied in 2000H x 1200W x 3.2mm thick sheets.

## Ordering Codes

### UPGRADE KITS

**For Shower Sizes UP TO 1200x1000**

PWALLUGSUBWAY2S      2 sided shower subway  
gloss white

PWALLUGSUBWAY3S      3 sided shower subway  
gloss white

**For Shower Sizes 1400x900 and above**

PWALLUGSUBWAY2SLARGE      2 sided shower subway  
gloss white large

PWALLUGSUBWAY3SLARGE      3 sided shower subway  
gloss white large

### INDIVIDUAL SHEETS

PWALLSUBWAYWH      1200wx2000h subway gloss  
white sheet

# Wall Linings

## Natural Slate

Supplied in 2000H x 1200W x 3.2mm thick sheets.

Natural Slate Finish, which is easy to clean and durable.

Lightweight to handle and install.

Available in Natural White, Natural Grey and Natural Black which colour matches to trays.

Easy-clean, finish with no grout or exposed silicone joints to collect dirt or create mould zones.

Supplied in complete "upgrade kits" for your Symphony shower cubicle, or as individual sheets.

## Ordering Codes

### UPGRADE KITS SLATE

#### For Shower Sizes UP TO 1200x1000

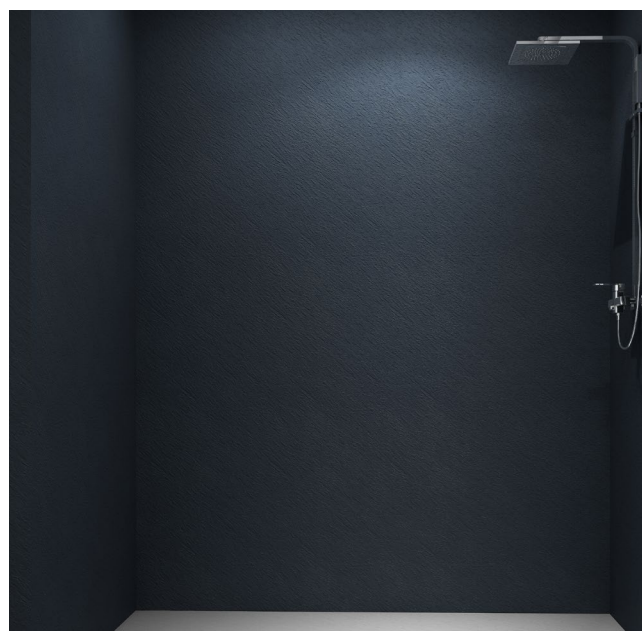
PWALLUGSLATEBL2S	2 sided shower black slate
PWALLUGSLATEBL3S	3 sided shower black slate
PWALLUGSLATEGREY2S	2 sided shower grey slate
PWALLUGSLATEGREY3S	3 sided shower grey slate
PWALLUGSLATEWH2S	2 sided shower white slate
PWALLUGSLATEWH3S	3 sided shower white slate

#### For Shower Sizes 1400x900 and above

PWALLUGSLATEBL2SLARGE	2 sided shower black slate large
PWALLUGSLATEBL3SLARGE	3 sided shower black slate large
PWALLUGSLATEGREY2SLARGE	2 sided shower grey slate large
PWALLUGSLATEGREY3SLARGE	3 sided shower grey slate large
PWALLUGSLATEWH2SLARGE	2 sided shower white slate large
PWALLUGSLATEWH3SLARGE	3 sided shower white slate large

### INDIVIDUAL SHEETS

PWALLSLATEBL	1200wx2000h slate black sheet
PWALLSLATEGREY	1200wx2000h slate grey sheet
PWALLSLATEWH	1200wx2000h slate white sheet



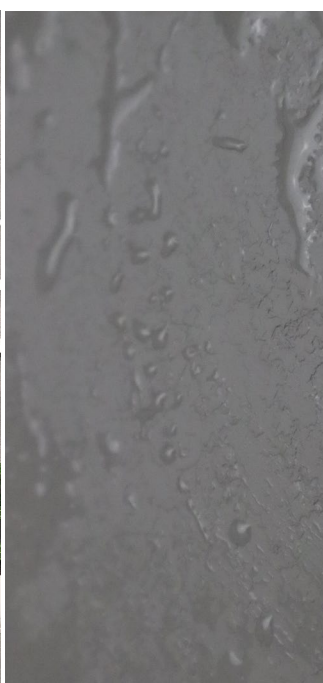
Pictured - 900x1200x900 Alcove installation black slate wall linings



Pictured - 1200x900 2sided Black Slate Walls, White Pinnacle Tray



Pictured - 1200x900 2sided Black Slate Walls, Black Pinnacle Tray (creates mirror effect on glass)



Pictured - Natural Slate Grey close up



## Textured Vertical Tiles

Supplied in 2000H x 1200W x 3.2mm thick sheets.

Vertical Tile Design with textured Natural finish

Available in Natural White, Natural Grey and Natural Black which colour matches to trays.

Easy-clean, finish with no grout or exposed silicone joints to collect dirt or create mould zones.

Supplied in complete "upgrade kits" for your Symphony shower cubicle, or as individual sheets.

## Ordering Codes

### UPGRADE KITS

#### For Shower Sizes UP TO 1200x1000

PWALLUGVTEXBL2S	2 sided shower black VTEX
PWALLUGVTEXBL3S	3 sided shower black VTEX
PWALLUGVTEXGREY2S	2 sided shower grey VTEX
PWALLUGVTEXGREY3S	3 sided shower grey VTEX
PWALLUGVTEXWH2S	2 sided shower white VTEX
PWALLUGVTEXWH3S	3 sided shower white VTEX

#### For Shower Sizes 1400x900 and above

PWALLUGVTEXBL2S	2 sided shower black VTEX
PWALLUGVTEXBL3S	3 sided shower black VTEX
PWALLUGVTEXGREY2S	2 sided shower grey VTEX
PWALLUGVTEXGREY3S	3 sided shower grey VTEX
PWALLUGVTEXWH2S	2 sided shower white VTEX
PWALLUGVTEXWH3S	3 sided shower white VTEX

### INDIVIDUAL SHEETS

PWALLVTEXBL	1200wx2000h VTEX black sheet
PWALLVTEXGREY	1200wx2000h VTEX grey sheet
PWALLVTEXWH	1200wx2000h VTEX white sheet



Pictured - 900x1200x900 Alcove installation vertical textured tile white

## Components

### Internal Corner Joiner

Available in 2m Lengths  
Code is for one unit  
Silver is raw aluminium finish and is best suited to grey wall linings

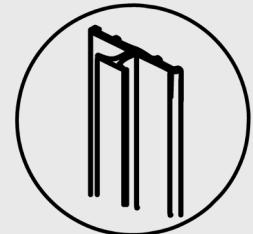
PWALLCORNER	Corner wall joiner Silver
PWALLCORNERBLK	Corner wall joiner Black
PWALLCORNERWH	Corner wall Joiner White



### Straight Joiner

Available in 2m Lengths  
Code is for one unit  
Silver is raw aluminum finish and is best suited to grey wall linings

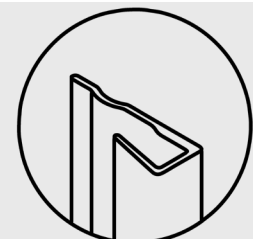
PWALLSTRAIGHT	Straight wall joiner Silver
PWALLSTRAIGHTBLK	Straight wall joiner Black
PWALLSTRAIGHTWH	Straight wall joiner White



### Edge Cap

Available in 2m Lengths  
Code is for one unit  
Silver is raw aluminium finish and is best suited to grey wall linings

PWALLEDGE	Straight wall joiner Silver
PWALLEDGEBLK	Straight wall joiner Black
PWALLEDGEWH	Straight wall joiner White



## 10 years :

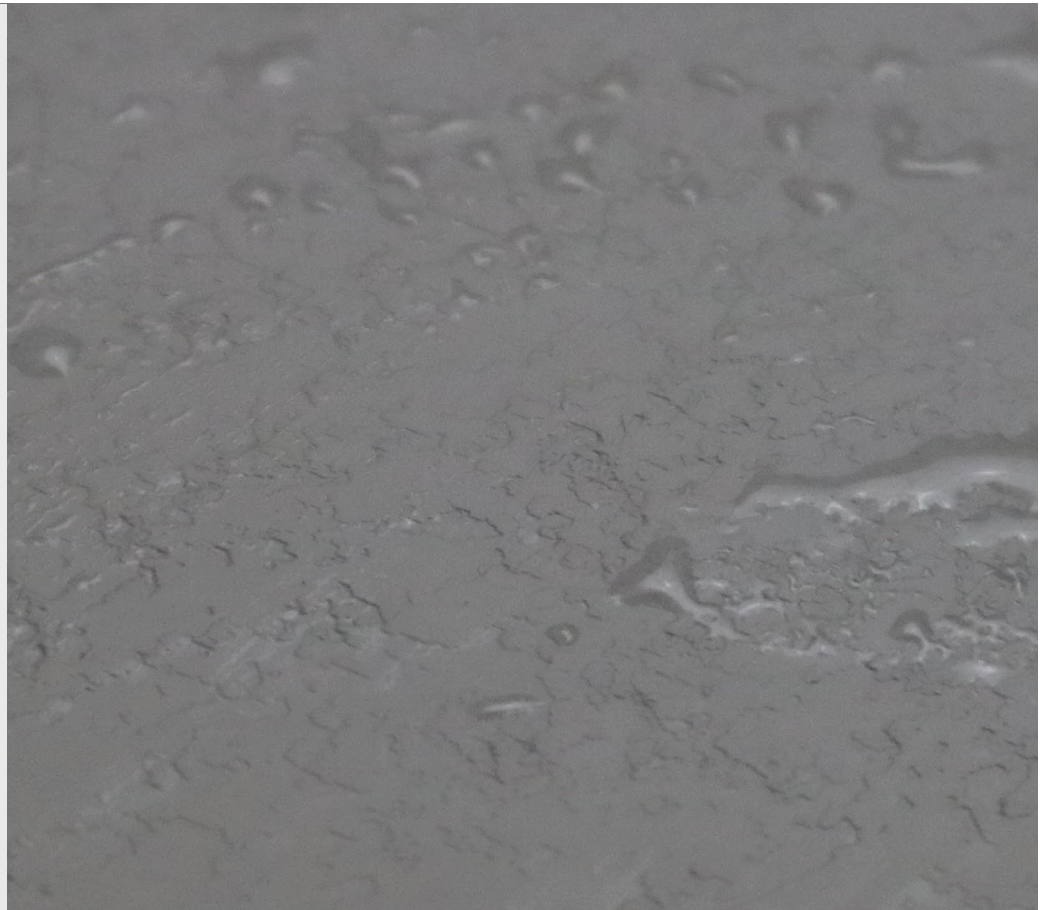
- Trays, Black, Grey, White
- Liner
- Glass
- Silva finish frames / hinges and hardware
- Seals / rollers

## 5 years :

- Black finish frames / hinges and hardware
- **Marble Finish Trays**

## 7 years :

- Easy Clean wastes



## INSTALLATION

It is HIGHLY recommended to engage a competent installer for peace of mind. Most installers offer a full warranty on their workmanship. Remember if your Symphony Shower is installed incorrectly, this could lead to not only a void product warranty, but also expensive damage to the building structure if hidden leaks occur.

If you are combining your new Pinnacle tray with tiled walls, you must consult with your local council in relation to required consents. Additionally, a PS1 certified waterproofing installer must carry out all waterproofing work.

The same consideration must be taken when floor tiles are installed adjacent to a shower tray with no door system (walk in shower).

## MANUFACTURED WITH PRIDE

Fibre Systems have been manufacturing, designing and importing showers for the New Zealand market since 1986. We are a 100% owned and operated family business, and we specialise in showers.

Our latest tray, the Pinnacle, brings us closer to the ultimate showering experience, where the natural look and feel of stone combines with the reliability of an acrylic cubicle.

DESIGNED AND  
ENGINEERED BY

