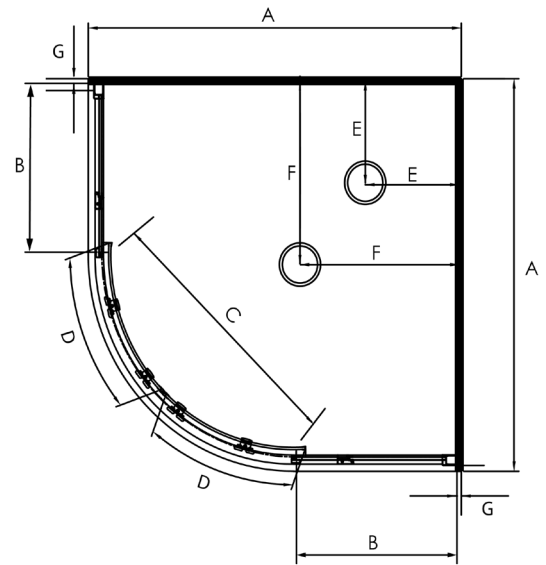


# RETRO ROUND CORNER EQUAL SIDED SHOWERS



Pictured Above - Retro 900 x 900mm SILVA Flat Wall

See SKU RR900SIFW18



## DESCRIPTION

The Symphony RETRO Round Sliding Door range is the perfect solution for low height rooms or spaces with a total height of 1900mm.

RETRO Showers can be purchased as a complete shower cubicle including Acrylic Tray, Wall Liner and Door Pack.

The Door Pack and Tray can also be purchased as individual items for installation on a tiled floor and/or wall.

## FEATURES

- Low profile tray with 40mm upstand
- 1830mm high glass
- Total OVERALL height 1900mm
- Quick release rollers for easy cleaning
- Magnetic strip on closing edges of doors
- 6mm Safety Glass
- High quality stainless/alloy fittings and hardware

## LEGEND

Dimension	Description	Shower Size	
		900mm	1000mm
A	Tray External Dimension	900mm	1000mm
B	Return Panel Dimension	335mm	430mm
C	Door Opening Dimension	540mm	540mm
D	Door Panel Dimension	410mm	410mm
E	Waste Position (Corner waste)	250mm	250mm
G	Waste Position (Centre waste)	450mm	450mm
I	Gib and Liner thickness +/- 1.5mm	12.5mm	12.5mm

## ORDERING CODES

Description	Shower Size	
	900mm	1000mm
Complete Cubicle SILVA Flat Wall	RR900SIFW18	RR1000SIFW18
Centre waste tray option for complete cubicle	CNRWOPTION	CNRWOPTION
Tray Only Centre Waste White	TFR900CW	TFR1000CW
Tray Only Corner Waste White	TFR900CNR	TFR1000CNR
Liner Only Flat Wall 1830mm High White	LB9X9FW2S18	LB1X1FW2S18
Round Door Pack Complete 1830mm High SILVA	DR900S18	DR1000S18

## WARRANTY INFORMATION

All bathroomware products supplied by Fibre Systems carry our Quality Assurance and Product Warranty. We use the highest quality materials available and manufacture these in accordance with New Zealand specifications and requirements to ensure that all products are fit for the intended purpose for which they are designed. Our customer's peace of mind is of paramount importance to us.

### Warranty Periods

Baths	10 years
Showers	10 years
Shower Screens and Doors	10 years
Silva and White Coatings	10 years
E-Line + Squareline + Dezine Showers	5 years
Black Coatings	5 years
Aquaknight Easy Clean Wastes	7 years
Accessories	2 years



### Warranty Exclusions

The product must be installed according to the instructions supplied.

The water supply temperature applied to the product must not exceed 55 degrees Celsius.

All cleaning and cleaning products must be in accordance with our cleaning instructions and guidance.

Commercial Applications (where products are installed in a building where occupancy is via a commercial arrangement i.e. a rental property, hotel, hostel etc) are restricted to a 2 year warranty on all products.

## CLEANING AND MAINTENANCE

Please refer to our cleaning instructions document for guidance - available on our website.