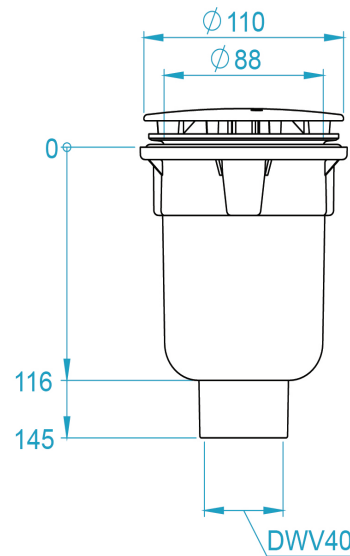


# AQUAKNIGHT DOMED LID BOTTOM OUTLET WASTE



Pictured - Aquaknight bottom outlet easy clean waste with chrome lid

SKU - **WAQKN9ODOMEBOT**

Flow rate of Waste	
Head Above Flange	Flow rate L/SEC
3mm	0.1
5mm	0.2
7mm	0.3
8mm	0.4
9mm	0.5
16mm	0.6
47mm	0.7
87mm	0.8
121mm	0.9



Pictured - Lid assembly removed from trap body.

Note hair claw

## DESCRIPTION

The Symphony Aquaknight waste is a simple solution which inhibits shower drain and pipework blockages with its revolutionary design, and features.

The Aquaknight waste features a stylish domed lid which when extracted from the waste assembly, includes a removable inner cartridge and hair claw.

The hair claw is design to capture excess hair or debris which can normally accumulate and block your waste outlet or inaccessible drainage pipework.

## FEATURES

- Suits most shower trays with a 90mm outlet
- Designed and manufactured in New Zealand
- Includes hair claw
- Built in leak return ports to prevent leakage from the shower tray under the top waste flange
- 7 year leak - free warranty
- Outlet solvent welds over 40mm and inside 50mm DWV PVC

## ORDERING CODES

Description	SKU
AQUAKNIGHT WASTE EASYCLEAN 90MM DOME BOTTOM EXIT CHROME	WAQKN90DOMEBOT
AQUAKNIGHT WASTE EASYCLEAN 90MM DOME BOTTOM EXIT BLACK	WAQKN90DOMEBOTBL
AQUAKNIGHT WASTE EASYCLEAN 90MM DOME BOTTOM EXIT WHITE	WAQKN90DOMEBOTWH
AQUAKNIGHT WASTE EASY CLEAN DOME CHROME LID ASSEMBLY ONLY	WAQKNDOMELID
AQUAKNIGHT WASTE EASY CLEAN DOME BLACK LID ASSEMBLY ONLY	WAQKNDOMELIDBLK
AQUAKNIGHT WASTE EASY CLEAN DOME WHITE LID ASSEMBLY ONLY	WAQKNDOMELIDWH
AQUAKNIGHT WASTE EASY CLEAN INNER BUCKET	WAQKNBUCKET
AQUAKNIGHT WASTE EASY CLEAN SMALL O-RING SEAL	WAQKNSMLSEAL
AQUAKNIGHT WASTE EASY CLEAN LARGE O-RING SEAL	WAQKNLGESEAL

## WARRANTY INFORMATION

All bathroomware products supplied by Fibre Systems carry our Quality Assurance and Product Warranty. We use the highest quality materials available and manufacture these in accordance with New Zealand specifications and requirements to ensure that all products are fit for the intended purpose for which they are designed. Our customers peace of mind is of paramount importance to us.

### Warranty Periods

Easy Clean Wastes                      7 years

### Warranty Exclusions

The product must be installed according to the instructions supplied.

The water supply temperature applied to the product must not exceed 55 degrees Celsius.

Commercial applications (where products are installed in a building where occupancy is via a commercial arrangement i.e. rental property, hotel, hostel etc.) are restricted to a 2 year warranty on all products.

## CLEANING AND MAINTENANCE

Bathroom products are used often and the following is our suggestion on how to clean and care for them.

### Easy Clean Wastes

The waste inner assembly must be removed from the shower on a regular basis for frequent removal of hair and debris, failure to undertake this will result in reduced drainage performance of the shower waste, and water build up / flowing on the shower tray.

All components for the waste should be removed, and cleaned in warm (under 50 degree) soapy water.

The outer bucket of the waste which remains in the shower tray should be washed through with a constant flow of water from the shower head.