



## **IMPORTANT - BEFORE YOU BEGIN**



- **ENSURE YOU HAVE ALL PARTS REQUIRED**

- **UNPACK AND INSPECT ALL PARTS THOROUGHLY. WE TRY OUR VERY BEST TO ENSURE ALL PARTS OF THIS PRODUCT MEET OR EXCEED OUR STANDARDS, HOWEVER IF YOU FIND A PART THAT IS EITHER DEFECTIVE OR DAMAGED, STOP IMMEDIATELY AND NOTIFY FIBRE SYSTEMS**
- **EVEN IF YOU HAVE INSTALLED OUR SHOWERS BEFORE, PLEASE READ THE INSTRUCTIONS CAREFULLY TO FAMILIARISE YOURSELF WITH REQUIRED TOOLS, PARTS AND FIBRE SYSTEMS INSTALLATION PRACTICES**
- **FOLLOW ALL WARNINGS AND INSTRUCTIONS CAREFULLY. IF YOU HAVE ANY QUESTIONS STOP AND CONTACT FIBRE SYSTEMS FOR ADVICE OR ASSISTANCE.**

## **INSTALLATION GUIDE**

### **Adjustable Frameless Pivot 2 Sided Square Door Set**

# 1

# Contents

---

Introduction	Page 3
Contents supplied	Page 4
Tools required / safety warnings	Page 5
Installing glass channels	Page 6
Installing glass	Page 7
Fitting the top bar	Page 8
Hanging the door	Page 9
Door Panel Adjustment	Page 10
Drip Strip and Sealant installation	Page 11
Warranty / Cleaning and After Sales Service	Page 12

---

## 2 Introduction

Thank you for purchasing a Fibre Systems Product. As a 100% New Zealand owned and operated company with over 35 years experience, we appreciate your support, and we're sure you will find this product of the highest quality.

This installation manual is designed to provide you with as much assistance as possible during the installation process. If at any stage, you encounter any issues or confusion, we invite you to contact us at your earliest convenience. Our contact details are on the back page of this manual.

**PLEASE REMEMBER - IF YOU ENCOUNTER ANY PRODUCT OR INSTALLATION ISSUES and you continue to complete the installation, you as the installer have sole responsibility for all costs for remedial work required, and you may void the product warranty conditions.**

It is important to consider the implication of not only of a voided warranty but also potential water leakage if installation is not carried out correctly. It's always better to be safe than sorry. This product is also covered by our "NO NONSENSE" warranty full details can be found on the last page of this manual.

## Product Orientation

**Equal sided showers i.e 900 x 900 -**

This Door set is designed to be fitted on either the LH side or the RH side of the tray. The door opening orientation is not reversible. The door must close onto the large fixed return panel.

**Unequal sided showers i.e 1200 x 900 -** This door set must be fitted to the matching orientation tray , either LH or RH orientation. It is not reversible.

In addition the door opening position is not reversible - The door must close onto the large fixed return panel.



900 x 900 Door  
On LH Side



1200 x 900  
LH



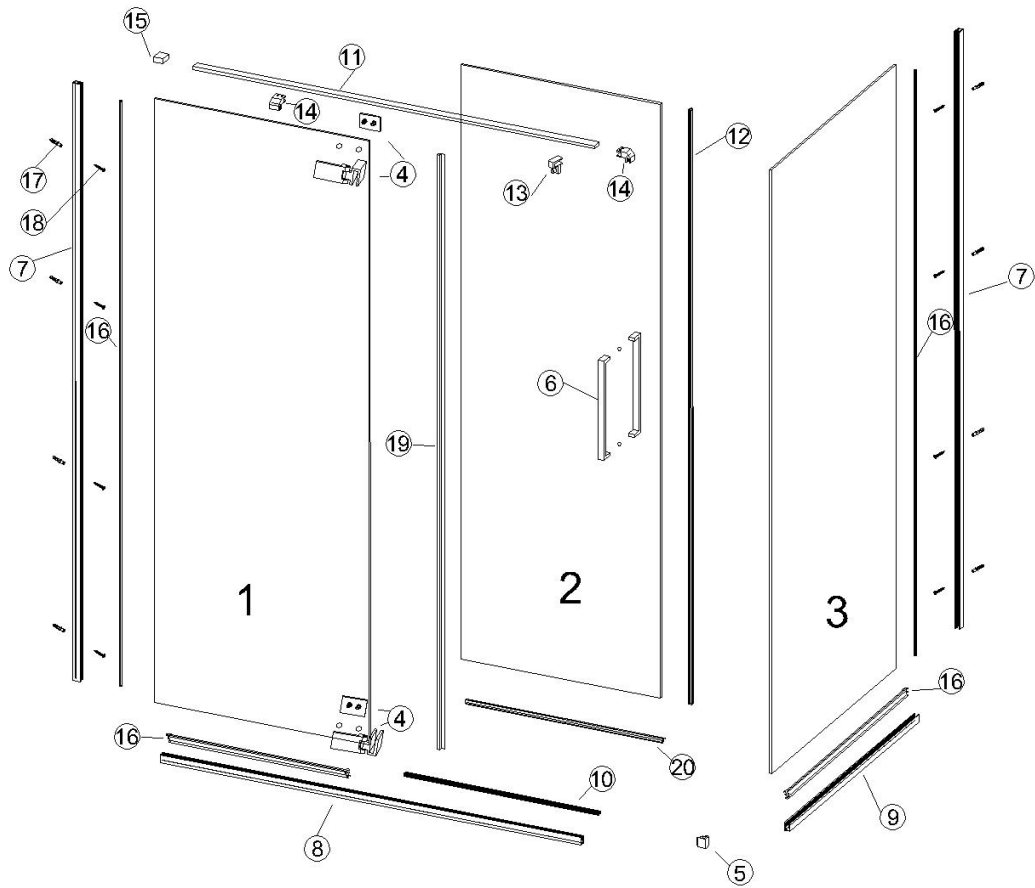
900 x 900 Door  
on RH Side



1200 x 900  
RH

# 3 Contents Supplied

Please ensure that all parts listed below are supplied prior to starting installation



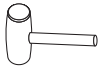



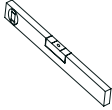

## PARTS LIST

Part Number	Description (QTY)
1	Glass Hinge Panel (1)
2	Glass Door Panel (1)
3	Glass Return Panel (1)
4	Hinge (2)
5	Corner Block (1)
6	Handle (1)
7	Wall Receiver (2)
8	Long Bottom Channel (1)
9	Short Bottom Channel (1)
10	Floor Channel Cover (1)

Part Number	Description (QTY)
11	Top Bar (1)
12	Cushion Seal (1)
13	Door Stop (1)
14	Top Bar Retaining Brackets (2)
15	Top Bar Mounting Bracket (1)
16	Wedge Seal (4)
17+18	Fixing screws + Anchors (9)
19	Vertical Weather Seal (1)
20	Drip Strip (1)

## 4 Tools Required

	Marking Tool
	Drill
	Hammer

	Tape Measure
	Level
	Caulking Gun / Silicone

\*\* We recommend the use SIKA SIKASIL NG Arctic White Silicone and SIKA SHOWERBOND

## Safety / Warnings

The Glass Panels of this product are made from high quality Safety Glass.

The nature of Safety Glass means that it is highly impact resistant on its FACE (flat side). However, it is sensitive to impact on its edges. Take all possible steps to ensure the edges of the glass panels are protected from impact during installation.

Acrylic Trays and Wall Linings react the same as Safety Glass, so do not drop or hit an edge as product damage may occur.

Safety Glass cannot be cut or drilled - Product damage and risk of injury may occur.

Please take all possible steps to ensure that the correct personal protection equipment is used and that care is taken during the installation of this product.



Dust Mask



Safety Goggles



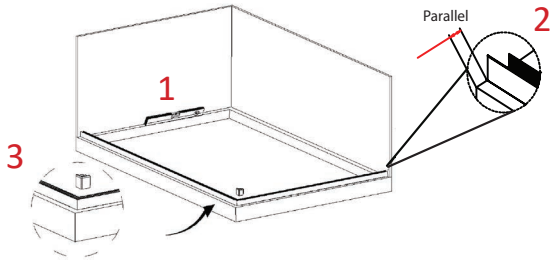
Ear Protection



Safety Gloves

# 5 Installing glass channels

Before installing the wall receivers, the shower tray and wall liner must be installed in accordance with the separate instruction manual.



**Step 1** - Using a level, ensure the tray is level along all 4 edges prior to channel installation.

**Step 2** - Place the bottom channel onto the tray, and position so the channel is running parallel to the front edge of the tray. Ensure both ends of the channel meet the wall linings. Mark the position of the channel.

Remove the channel and run a silicone bead on the bottom of the channel. Install the channel onto the tray and bead off excess silicone.

**Step 3** - Install a small bead of silicone to the outside of the corner block and install the corner block over the corner joint.

**Allow 24 hours to dry prior to next installation step**

**Step 4** - Place the wall channel onto the top of the floor channel and align. Then using a level ensure the wall channel is vertically plumb, and mark the hole positions on the wall

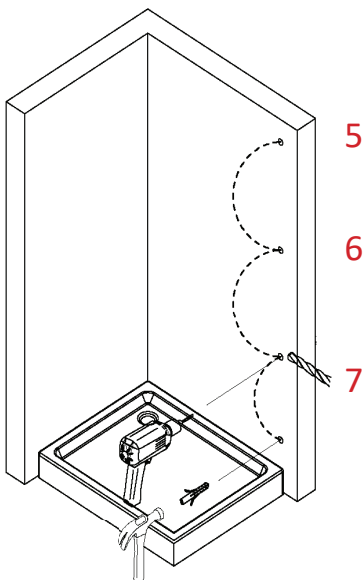
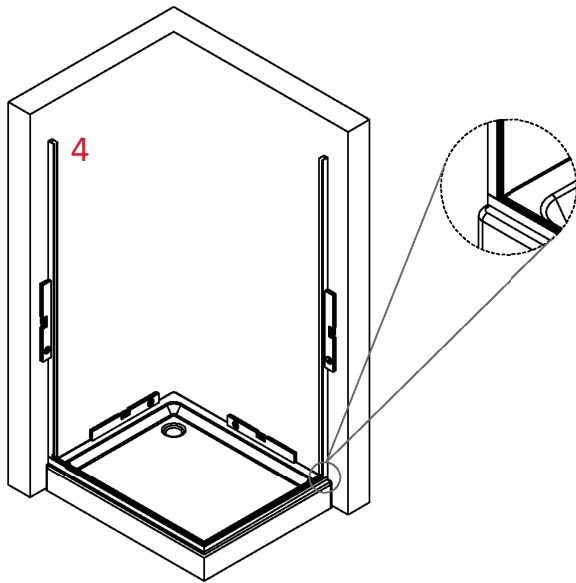
**IMPORTANT** - If you are installing the doorset onto a **TILED WALL** and an **ACRYLIC TRAY** the **floor AND wall** channels should be installed to the wall lining **PRIOR TO TILING**.

**Step 5** - Drill 3mm pilot holes.

**Step 6** - If the walls are hollow, drill a 6mm hole and install the hollow wall anchors.

If you have solid timber fixings (preferable), drill a 3mm pilot hole through the wall surface.

**Step 7** - Install screws through wall receivers and into wall/anchors. Run a small "eyebrow" bead of silicone onto the thread as you insert the screw.



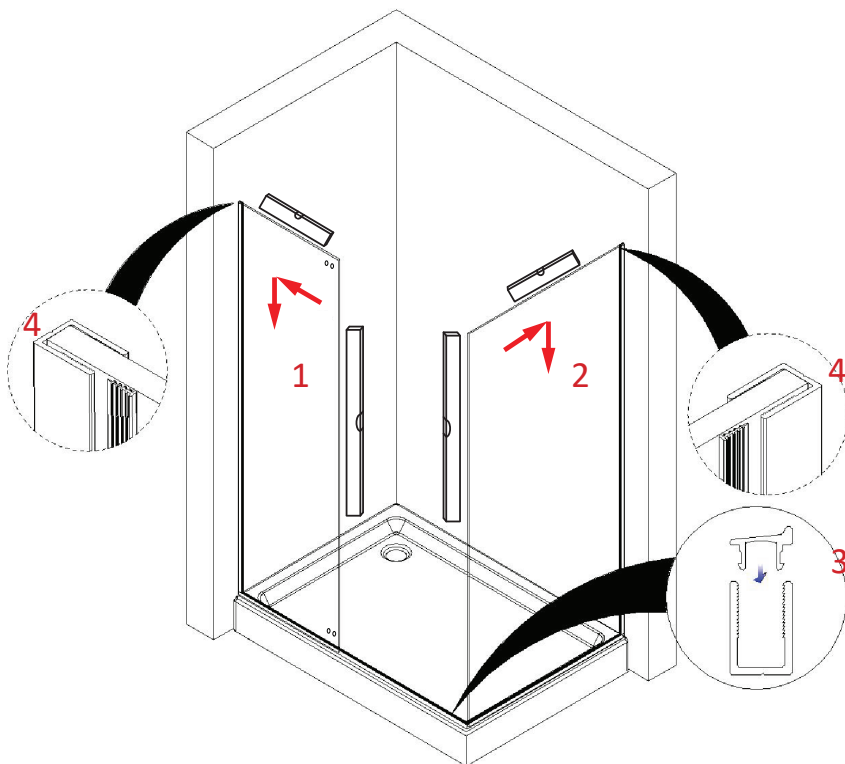
# 6 Installing glass

**IMPORTANT** - Prior to installing the glass panel, place a level onto the top edge of the bottom glass channel and ensure the channel is level. If the channel is not exactly level, when the glass is installed it will not finish level at the top, and the panels will not be vertically plumb.

To compensate for this, inside the seal package there are 4 x clear silicone rubber packers. You can cut these again if required and use them to pack up the glass panel until the glass is level.

**WARNING** - Take care when lifting and installing the glass panel. This panel is safety glass which is very strong on its face, but its edges are highly sensitive to impact.

It is recommended that safety glasses are worn, and also use glazing suction tools when lifting and placing the glass into the channel.



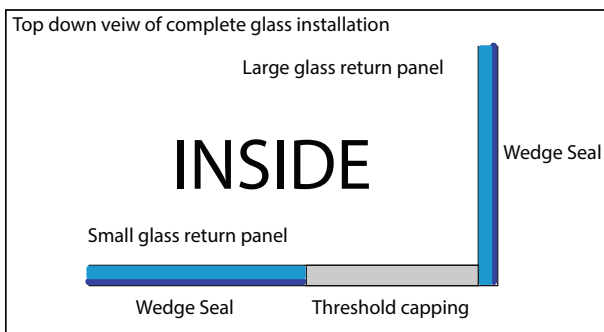
**Step 1** - Place the small glass hinged panel (with holes) into the wall and floor channel. Using a level - check the panel is vertically plumb and level on the top edge. If it is not, remove the panel and use the clear silicone flat packers to pack the glass up until it is plumb. **It is critical to get these panels plumb otherwise the door will not operate and will fail to close on the seals correctly.**

**Step 2** - Repeat the process on the glass return panel. The outer edge of this panel should be sit against the inside of the corner cap.

**Step 3** - Install the bottom channel cover into the bottom channel between the glass panel and the corner block. Carefully slide the small glass return panel outwards until they meet with the edge of the threshold cover.

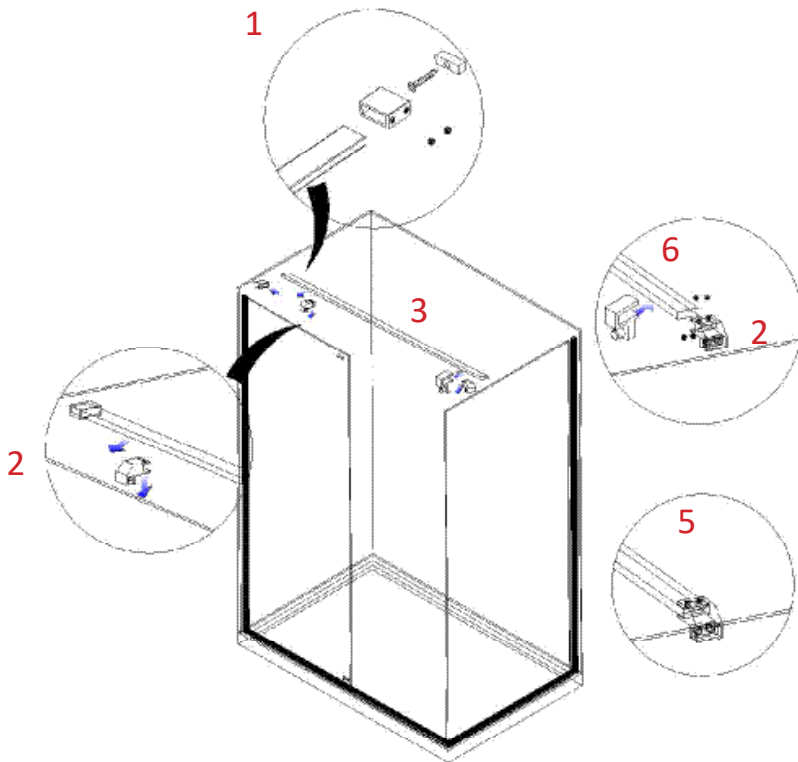
**Step 4** - Install the glass wedge seal on the OUTSIDE of the glass panels along the floor and wall channels.

See below for top down view of the finished position of components



# 7 Fitting the top bar

**HINT** - Before fitting the support bar, place the door panel **INSIDE** the shower. Place it on something soft to protect the edge of the glass and lean it against the wall. It is easier to fit the door from the inside after the support bar is installed.



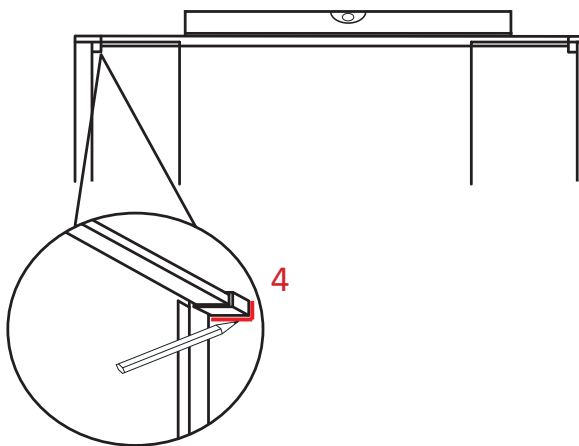
**Step 1** - Fit the top bar mounting bracket to the end of the top bar. This mounts the Top bar to the wall.

**Step 2** - Fit the top bar retaining brackets. One is installed onto the top of the glass hinge panel, and the second is mounted to the top of the glass return panel.

The position of the bracket on the glass hinge panel is your choice, but it must be a minimum of 100mm inside the edges of the hinged glass panel.

**Step 3** -

- Slide the top bar into both retaining brackets.
- Align the bar parallel with the inside edge of the glass hinged panel.
- Tighten the hex head grub screws to secure the top bar in place.



**Step 4** - Mark the position of the top bar mounting bracket onto the wall linings by tracing the outline of the block onto the wall linings.

Also check the support bar is level.

**Step 5** - Remove the support bar from the glass.

- Remove the inner block from the mounting bracket.
- Place the inner block in the marked position.
- Drill a 3.5mm through the wall linings, where the inner bracket hole sits against the linings.
- Mount the mounting inner block to the wall.
- Slide the mounting bracket back on the bar, and refit the bar to the glass panels.
- Slide the mounting block over the inner bracket and tighten the fixing screws.
- Fasten the retaining blocks to the bar, and to the glass panels.

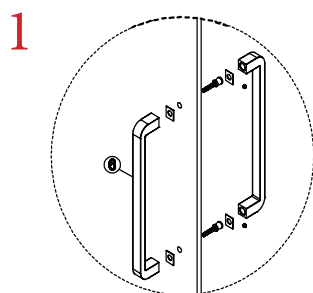
**IMPORTANT - CHECK ALL THE SCREWS ARE FASTENED AND TIGHT. FAILURE TO DO HIS COULD CAUSE BREAKAGE**

**Step 6** - Mount the door stop onto the top bar. This is fitted on the inside to the glass retaining bracket.

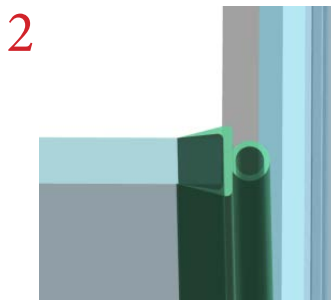


# 8 Hanging the door

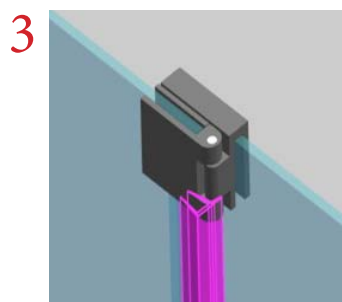
**IMPORTANT - Before hanging the door, the support bar MUST be installed and all fixings must be tight. Failure to do this may result in the door not operating, or dropping and breaking.**



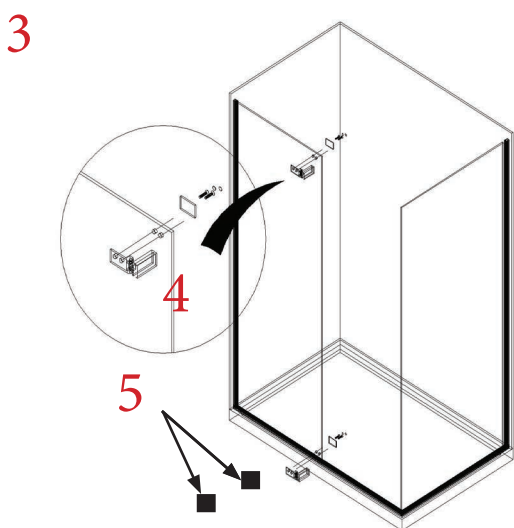
**Step 1-** Install the handle onto the door panel.



**Step 2-** Install the cushion seal onto the leading edge of the door. One end of the cushion seal has a cut out to accept the bottom drip seal. This end of the cushion seal is placed at the **BOTTOM** of the door.



**Step 3-** Install the vertical weatherseal onto the Glass hinge panel. The weatherseal fits between the hinges. Ensure it is installed fully onto the edge of the glass panel.



**Step 3-** Install the hinges onto the glass hinge panel, fasten all fixing screws tightly securing the hinge to the glass panel.

**Step 4-** Loosen the bolts on the other side of the hinge to provide clearance for the door panel installation.

**Step 5 -** Place blocks of cardboard packing onto the floor 90 degrees for the hinged panel and place the door panel onto these gently.  
You will need packing approx 115mm high.  
It is recommended to position the door 90 degrees to the glass hinged panel so you can easily access both sides of the panel.



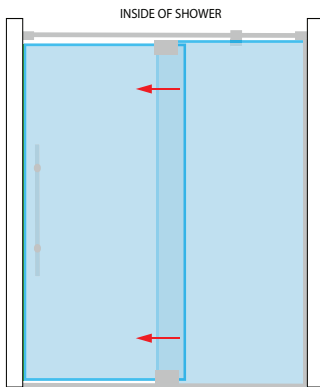
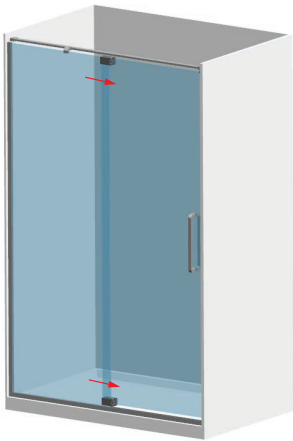
**Step 6 -** Insert the glass door panel carefully into the top and bottom hinge. Insert the glass so that it protrudes into and past the inside edge of the hinge by approx 100mm, this will allow for the door to close after it is fixed, prior to final adjustment.

- a. Whilst supporting the glass in the hinges, tighten the top hinge fixing screws to secure the glass door panel.
- b. Repeat this on the bottom hinge.

# 9

## Door Panel Adjustment

1



### Step 1 -

Working from the **INSIDE** of the shower enclosure:

- a. Close the door panel.
- b. Whilst supporting the door by the handle, loosen the top and bottom hinge bolts.
- c. Slowly adjust the door outward so that the cushion seal on the edge of the door panel makes contact with the inside of the return panel.

The cushion seal should meet up to the glass panel at the top, middle and bottom.

Pay close attention to the cushion seal and ensure it is securely fastened onto the edge of the door panel correctly, if this seal is not installed fully onto the edge of the door panel it can be bowed and prohibit the door from sealing or operating correctly.

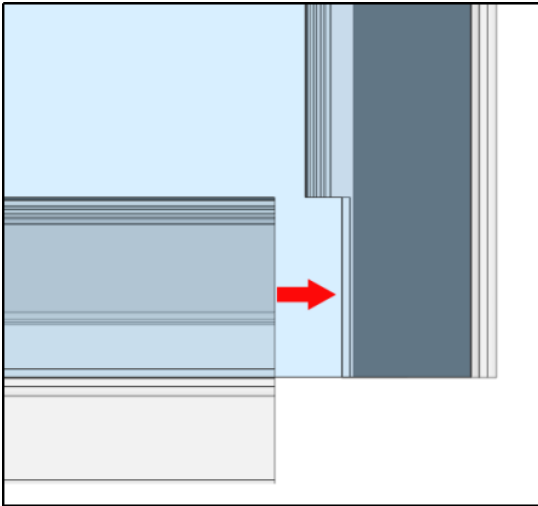
- d. Fasten the hinge fixing bolts to the glass **TIGHTLY**.

- e. Test the operation of the door

- f. Re-check all fixing bolts on the hinges, and the top bar mounting and retaining brackets.

**IMPORTANT - CHECK ALL THE SCREWS  
ARE FASTENED AND TIGHT.  
FAILURE TO DO HIS COULD CAUSE  
BREAKAGE**

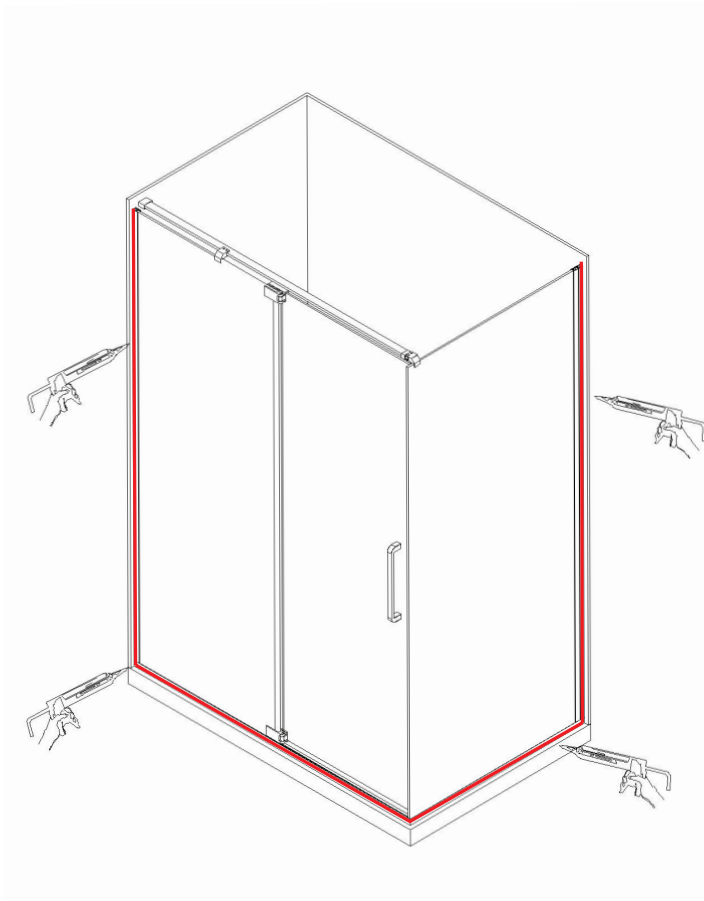
# Drip Strip and Sealant Installation



## Step 1 -

Install the drip strip to the bottom of the door panel.

The cushion seal has a cut out for the drip seal to fit into. Install the drip seal into this cutout.



## Step 2 -

Apply a bead of Sika NG Silicone to the OUTSIDE perimeter of the shower.

Apply a bead to the outside of the wall receiver where it meets the liner / wall surface.

Continue this bead down to the junction of the liner / receiver and tray.

Take care at this junction to ensure the corner joint is completely sealed on the outside. Repeat on the other wall receiver, then run a bead along the joint between the door frame and tray. Trim and allow to dry for 24 hours.

## WARNING -

Silicone sealant should only be applied to the OUTSIDE perimeter of the shower. Installing silicone inside the shower can cause blockage of water and leakage, and WILL cause mould build up. Your warranty WILL BE VOIDED.

# 11

## Warranty

All bathroomware products supplied by Fibre Systems carry our Quality Assurance and Product Warranty. We use the highest quality materials available and manufacture these in accordance with New Zealand specifications and requirements to ensure that all products are fit for the intended purpose for which they are designed. Our customer's peace of mind is of paramount importance to us.

### Warranty Periods

Baths	10 years
Showers	10 years
Shower Screens and Doors	10 years
Silva and White Coatings	10 years
E-Line + Squareline + Dezine Showers	5 years
Black Coatings	5 years
Aquaknight Easy Clean Wastes	7 years
Accessories	2 years

### Warranty Exclusions

The product must be installed according to the instructions supplied.

The water supply temperature applied to the product must not exceed 55 degrees Celsius.

All cleaning and cleaning products must be in accordance with our cleaning instructions and guidance.

Commercial Applications (where products are installed in a building where occupancy is via a commercial arrangement i.e. a rental property, hotel, hostel etc) are restricted to a 2 year warranty on all products.

# 12

## Cleaning

Please refer to our cleaning instructions document for guidance, available on our website

# 13

## Aftersales service

We trust you have found the manual helpful during the installation of this product. However, if you have any questions at all regarding your product, please feel free to contact us.

Phone 09-274-7423

Fibre Systems Ltd

77 Cryers Road

East Tamaki

Auckland