



**ALCOVE
DOOR**



**2 SIDED
DOOR + RETURN**

IMPORTANT - PLEASE RETAIN THIS DOCUMENT FOR WARRANTY REFERENCE. PLEASE ALSO ATTACH YOUR SALES RECEIPT FOR ANY FUTURE INQUIRIES

1

Contents

This instruction sheet describes the installation of a Pivot Door only (alcove shower 3 sided shower) and also a Pivot Door and Return Panel (2 sided shower).

If you are installing an ALCOVE door only - GO TO PAGE 5

If you are installing a 2 Sided Door and Return please GO TO PAGE 12

| | |
|--|---------|
| Introduction / Product Orientation | Page 3 |
| Tools required / Safety Warnings | Page 4 |
| 3 Sided Contents | Page 5 |
| 3 Sided Wall Receiver Installation | Page 6 |
| 3 Sided Door Frame Assembly | Page 7 |
| 3 Sided Door Frame Assembly | Page 8 |
| 3 Sided Door Installation | Page 9 |
| 3 Sided Door Installation | Page 10 |
| 3 Sided Seal and Sealant Installation | Page 11 |
| 2 Sided Contents | Page 12 |
| 2 Sided Wall Receiver Installation | Page 13 |
| 2 Sided Door Frame Assembly | Page 14 |
| 2 Sided Return Panel Assembly | Page 15 |
| 2 Sided Return Panel and Door Installation | Page 16 |
| 2 Sided Return Panel and Door Installation | Page 17 |
| 3 Sided Sealant Installation | Page 18 |
| Warranty, Cleaning Instructions, After Sales Service Contact Details | Page 19 |

2 Introduction

Thank you for purchasing a Fibre Systems Product. As a 100% New Zealand owned and operated company with over 35 years experience, we appreciate your support, and we're sure you will find this product of the highest quality.

This installation manual is designed to provide you with as much assistance as possible during the installation process. If at any stage, you encounter any issues or confusion, we invite you to contact us at your earliest convenience. Our contact details are on the back page of this manual.

PLEASE REMEMBER - IF YOU ENCOUNTER ANY PRODUCT OR INSTALLATION ISSUES and you continue to complete the installation, you as the installer have sole responsibility for all costs for remedial work required, and you may void the product warranty conditions.

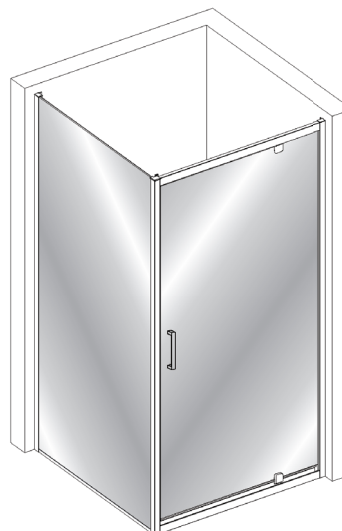
It is important to consider the implication of not only of a voided warranty but also potential water leakage if installation is not carried out correctly. It's always better to be safe than sorry. This product is also covered by our "NO NONSENSE" warranty full details can be found on the last page of this manual.

Product Orientation

The images also show a RH FIXED door in an 3 sided (Alcove) and RH FIXED door in a 2 sided installation. The door is completely reversible from LH to RH fixed. Please note the installation steps and practices are identical in every way, but if you are installing in a LH fixed orientation it will be a reflection of what is shown in the images in this manual.




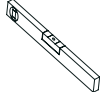



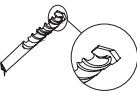
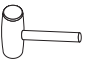

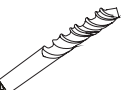


RIGHT HAND FIXED ALCOVE



RIGHT HAND FIXED
2 SIDED

3 Tools Required

| | | | |
|---|-----------------------|---|--|
|  | Flat head Screwdriver |  | Tape Measure |
|  | Phillips Screwdriver |  | Level |
|  | Marking Tool |  | Caulking Gun / Silicone |
|  | Drill |  | 6mm Tile Drill Bit (if wall surface is tiled and hollow wall anchors are installed) |
|  | Hammer |  | 3mm Tile Drill Bit (if wall surface is tiled and solid timber mounting is available) |
| | |  | 3mm HSS Drill Bit |

** We recommend the use of SIKA Sikasil NG Translucent Silicone

Safety / Warnings

The Glass Panels of this product are made from high quality Safety Glass.

The nature of Safety Glass means that it is highly impact resistant on its FACE (flat side). However, it is sensitive to impact on its edges. Take all possible steps to ensure the edges of the glass panels are protected from impact during installation.

Acrylic Trays and Wall Linings react the same as Safety Glass, so do not drop or hit an edge as product damage may occur.

Safety Glass cannot be cut or drilled - Product damage and risk of injury may occur.

Please take all possible steps to ensure that the correct personal protection equipment is used and that care is taken during the installation of this product.



Dust Mask



Safety Goggles



Ear Protection

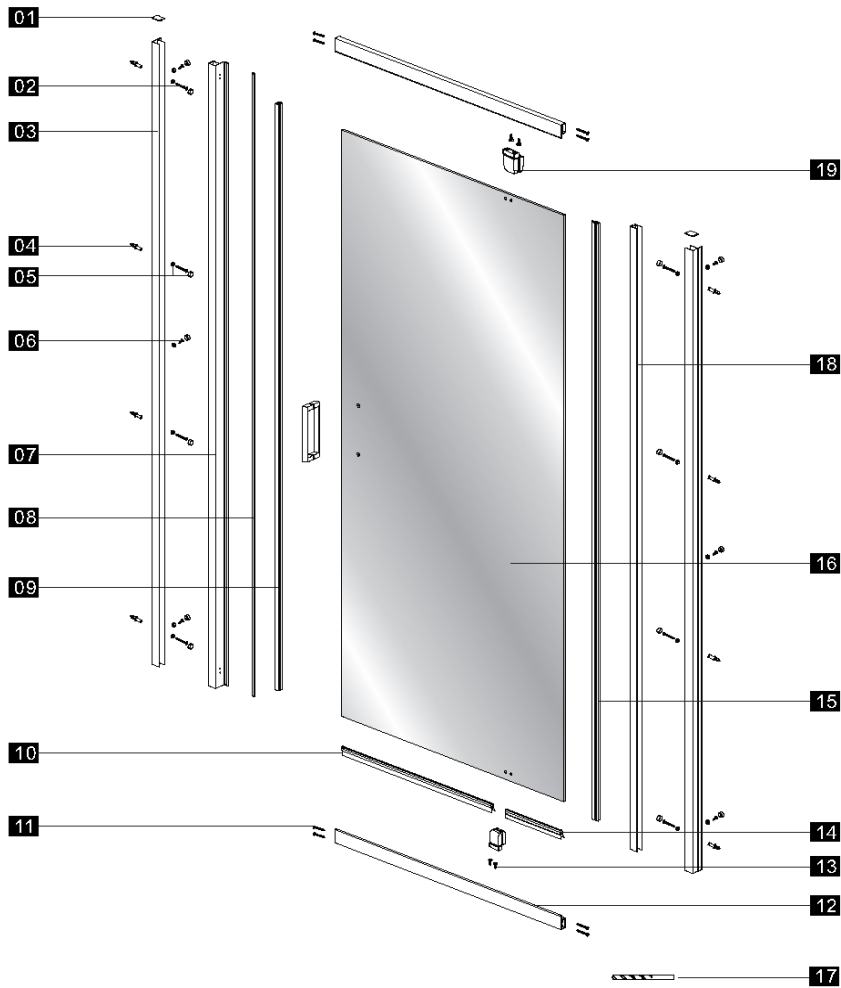


Safety Gloves

4

3 Sided Contents

Please ensure that all parts listed below are supplied prior to starting installation



PARTS LIST

| Part # | Description (QTY) |
|--------|----------------------------------|
| 1 | Wall Receiver Cover Caps L/R (2) |
| 2 | Fixing Screws 3.9mmx35mm (8) |
| 3 | Wall Receivers (2) |
| 4 | Hollow Wall Anchors (8) |
| 5 | Fixing Screw Cover Caps (14) |
| 6 | Fixing Screws 3.5mmx9.5mm (6) |
| 7 | Vertical Door Jam Extrusion (1) |
| 8 | Magnet (1) |
| 9 | Magnetic Door Seal (1) |
| 10 | Drip Strip (Long) (1) |
| 11 | Fixing Screws 3.5mmx35mm (8) |

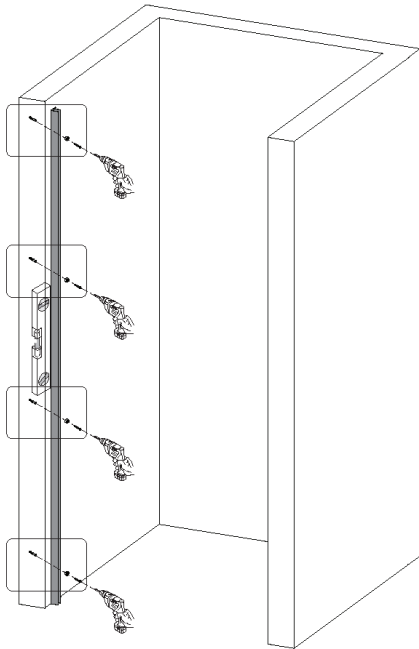
| Part # | Description (QTY) |
|--------|-----------------------------|
| 12 | Horizontal Extrusions (2) |
| 13 | Fixing Screw 3.5mmx16mm (4) |
| 14 | Drip Strip (Short) (1) |
| 15 | Weatherseal (1) |
| 16 | Glass Door Panel (1) |
| 17 | Drill Bit 2.8mm (1) |
| 18 | Vertical Extrusion (1) |
| 19 | Pivot Blocks (2) |

5

3 Sided Wall Receiver Installation

Before installing the wall receivers, the shower tray and wall liner must be installed in accordance with the separate instruction manual.

1



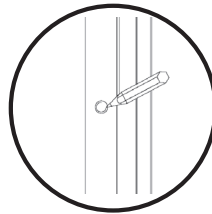
Step 1 - Measure and mark on the wall surface 10mm **INSIDE** of the outer edge of the tray. Repeat on the other side of the tray.

Place the wall receiver (3) on this mark.

IMPORTANT -

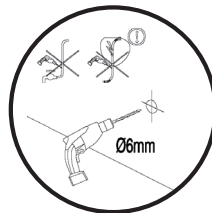
Ensure that the wall receiver is positioned 10mm **INSIDE** of the outer edge of the tray. The wall receiver also needs to be vertically plumb to ensure it is exactly aligned with the opposite wall receiver. Poor vertical alignment can result in poor door operation.

2



Step 2 - With the wall receiver (3) in place mark the position of the fixing holes on the wall.

3

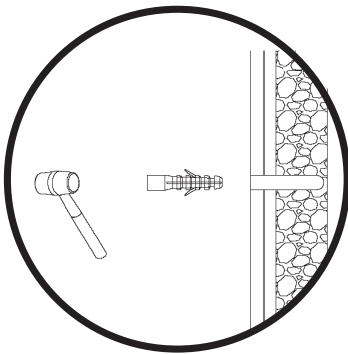


Step 3 - If the walls are hollow, drill a 6mm hole, and install the hollow wall anchors.

If you have solid timber fixings (preferable), drill a 3mm pilot hole through the wall surface.

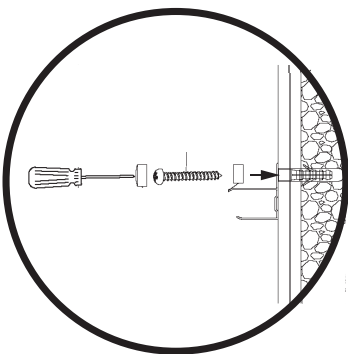
! CAUTION - BEWARE OF ENCLOSED WATER PIPES OR ELECTRICAL CABLES PRIOR TO DRILLING !

4



Step 4 - If you have hollow walls then install the hollow wall anchors (1) into the wall. Repeat Steps 1 - 4 on the opposite wall, then move to step 5

5



Step 5 - Place ONE Wall Receiver (3) onto the wall, and insert the screw (2) with cap collar (4) into the receiver and fasten to the wall. Repeat on all fixing screws for ONE wall receiver.

Fit the cover caps (4) over the screws.

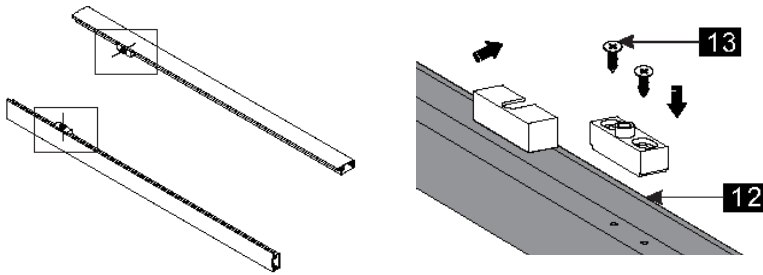
Do not fit the second wall receiver at this stage.

6

3 Sided Door Frame Assembly

HINT - IT IS EASIER TO ASSEMBLE THE COMPLETE DOOR FRAME LYING DOWN ON A FLAT SURFACE

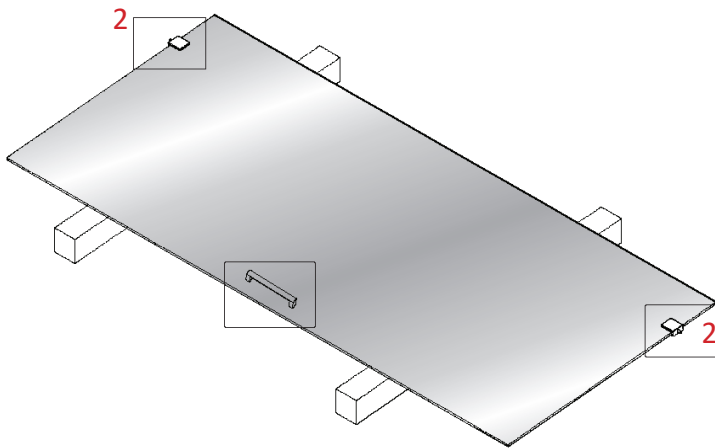
1



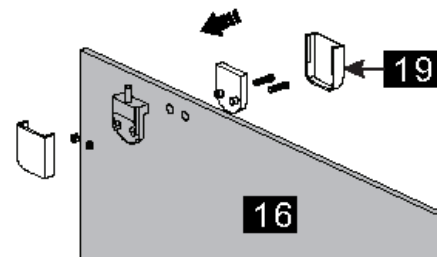
Step 1 - Lay out all parts you will need to assemble the door frame. Identify the cutouts in the Horizontal Extrusions (12) and lay them out so they are in-line and one facing downwards and the other facing upwards as per the image.

Install the Pivot Blocks (19) onto the Horizontal Extrusions (12) with Fixing Screw 3.5mmx16mm (13)

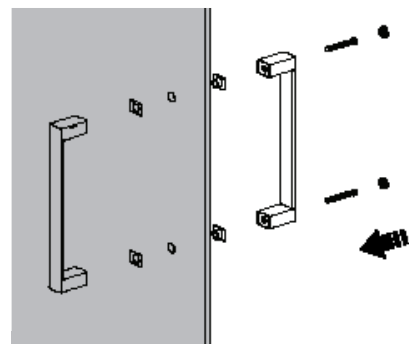
2



Step 2 - Install the Pivot Blocks (19) onto the Glass Door Panel (16)

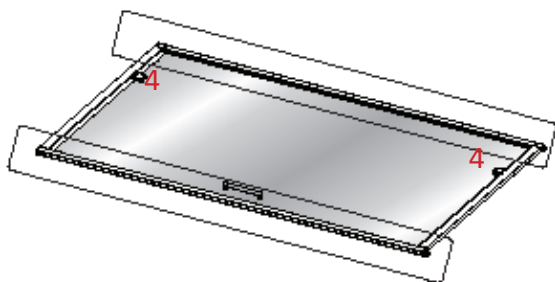


Step 3 - Install the Handle onto the Glass Door Panel (16)

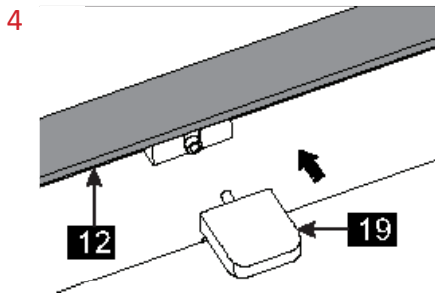


7

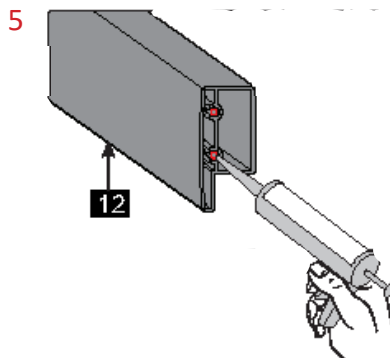
3 Sided Door Frame Assembly



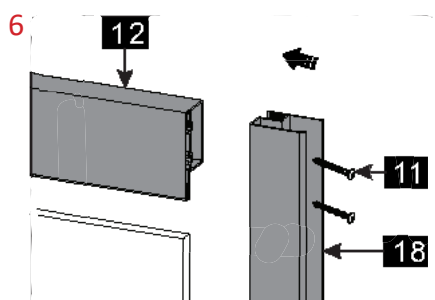
HINT - IT IS EASIER TO ASSEMBLE THE COMPLETE DOOR FRAME LYING DOWN ON A FLAT SURFACE



Step 4 - Install the horizontal extrusion (12) onto the top and bottom of the glass door panel (16) by inserting the male pin of the pivot block into the female carrier on the pivot block.

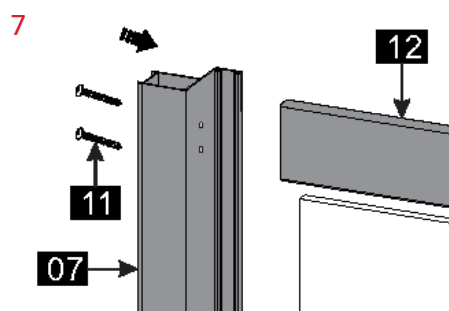


Step 5 - At each end of the horizontal extrusions (12) inject a small amount of silicone into the round female sockets inside the extrusions. Repeat this on all 4 ends.



Step 6 - Fit the vertical extrusion with door jam(07) onto the horizontal extrusion (12) on the side of the frame adjacent to the handle by installing 4 x fixing screws 3.5mmx35mm (11) into the horizontal extrusion.

Take care to install the screws slowly and by hand as the screws are cutting their own threads into the aluminum extrusion and when Battery Drills or Impact drivers are used they may break the heads off the screws prior to full insertion.

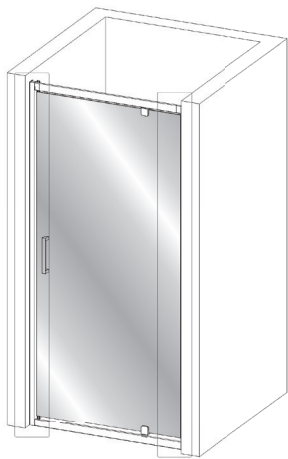


Step 7 - Fit the vertical extrusion (11) onto the horizontal extrusion (12) on the opposite side of the frame to the door handle side by installing 4 x fixing screws 3.5mmx35mm (11) into the horizontal extrusion.

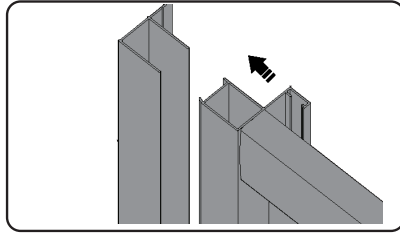
Take care to install the screws slowly and by hand as the screws are cutting their own threads into the aluminum extrusion and when Battery Drills or Impact drivers are used they may break the heads off the screws prior to full insertion.

3 Sided Door Installation

LIFT UP THE GLASS PANEL AND FRAME SO IT IS STANDING UPRIGHT

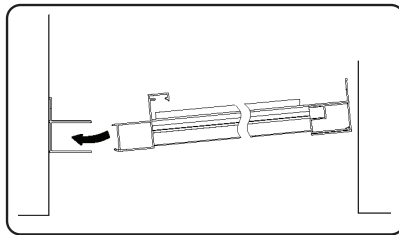


1



Step 1 - Fit the remaining wall receiver (3) loosely into the edge of the door frame (6) Take care not to mark the outer surface of the wall receiver when insert it into the frame.

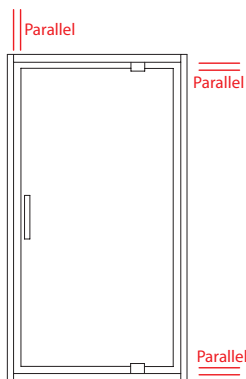
2



Step 2 - Working from the inside of the shower, take your screw driver, and the fixing screws(2) , caps and collars (4) into the shower.

Lift the complete door assembly (6) and wall receiver (3) together and insert the door

3



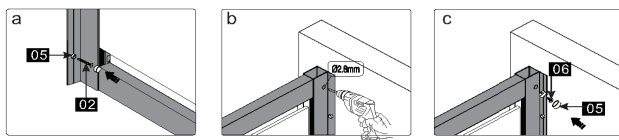
Step 3 - Position the door frame so it is
a. central between the wall receivers and
b. So the Glass panel sits parallel to the frame so the door will open without obstruction from the frame.

4

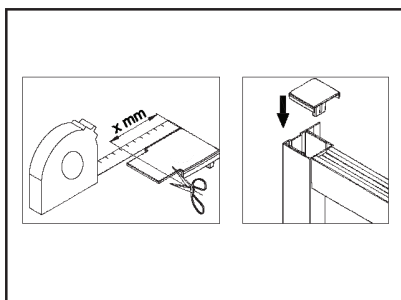
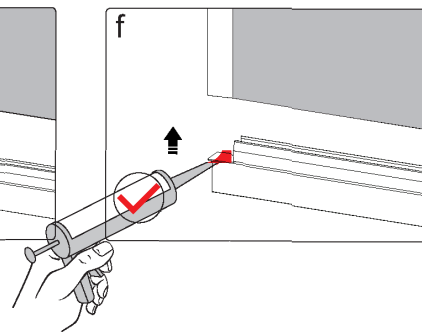
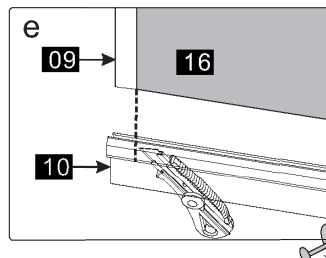
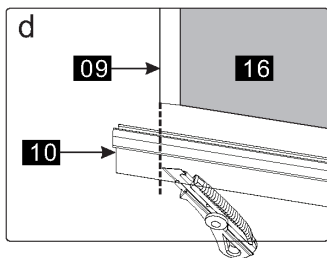
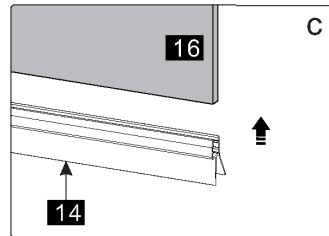
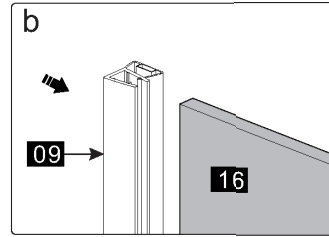
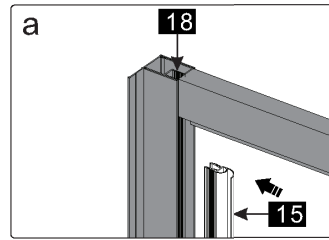


Step 4 - Working from the INSIDE of the shower install screws (2) / cap retaining collars (4) through wall receivers and into the wall anchors or wall. Run a small "eyebrow" bead of silicone onto the thread as you insert the screw.

Install the screw cover caps (4).



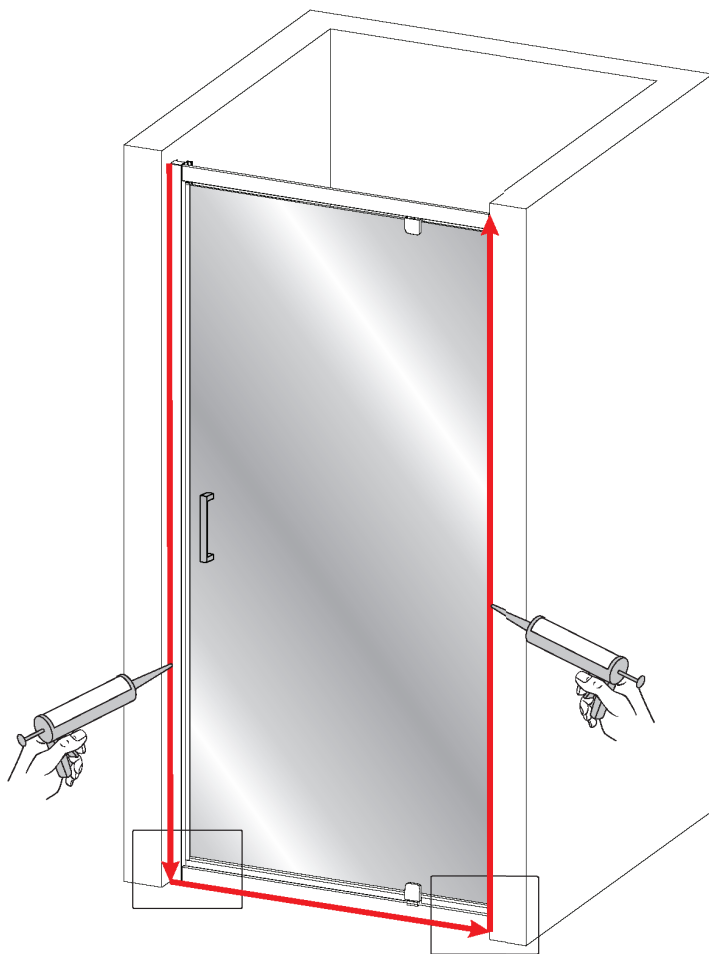
3 Sided Seal Installation



Measure, Trim and Fit the Wall Receiver Top Caps (1) to each wall receiver.

11

Sealant Installation



On the **OUTSIDE** of the shower, Install a 5mm bead of silicone on both vertical joints between the wall receivers and wall linings.

Then install a horizontal silicon bead between the door frame and bottom edge of the wall receivers and the tray or floor.

Pay particular attention to the corner joints between the horizontal and vertical beads.

WARNING -

Silicone sealant should only be applied to the **OUTSIDE** perimeter of the shower. Installing silicone inside the shower can cause blockage of water and leakage, and **WILL** cause mould build up.

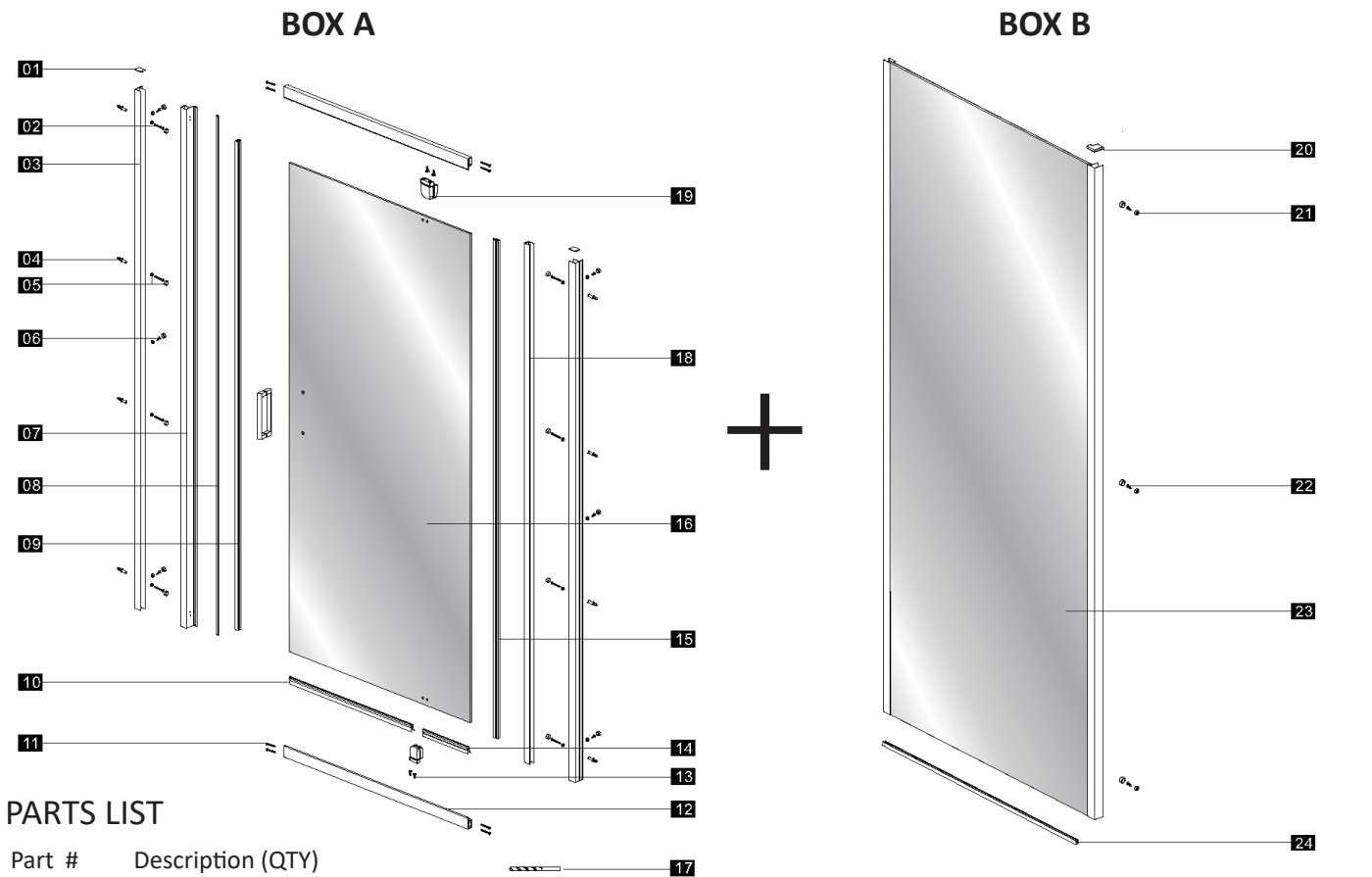
Your warranty **WILL BE VOIDED**.

**ALLOW 24 HOURS FOR SILICONE TO CURE
BEFORE USING THE SHOWER**

12

2 Sided Contents

Please ensure that all parts listed below are supplied prior to starting installation



PARTS LIST

| Part # | Description (QTY) |
|--------|----------------------------------|
| 1 | Wall Receiver Cover Caps L/R (2) |
| 2 | Fixing Screws 3.9mmx35mm (8) |
| 3 | Wall Receivers (2) |
| 4 | Hollow Wall Anchors (8) |
| 5 | Fixing Screw Cover Caps (14) |
| 6 | Fixing Screws 3.5mmx9.5mm (6) |
| 7 | Vertical Door Jam Extrusion (1) |
| 8 | Magnet (1) |
| 9 | Magnetic Door Seal (1) |
| 10 | Drip Strip (Long) (1) |
| 11 | Fixing Screws 3.5mmx35mm (8) |
| 12 | Horizontal Extrusions (2) |
| 13 | Fixing Screw 3.5mmx16mm (4) |
| 14 | Drip Strip (Short) (1) |
| 15 | Weatherseal (1) |
| 16 | Glass Door Panel (1) |
| 17 | Drill Bit 2.8mm (1) |
| 18 | Vertical Extrusion (1) |
| 19 | Pivot Blocks (2) |

| Part # | Description (QTY) |
|--------|-----------------------------------|
| 20 | Corner Post Cover Caps L/R (1) |
| 21 | Fixing Screw Cover Caps (3) |
| 22 | Fixing Screws 3.5mmx9.5mm (3) |
| 23 | Glass Return Panel (1) |
| 24 | Return Panel Bottom Extrusion (1) |

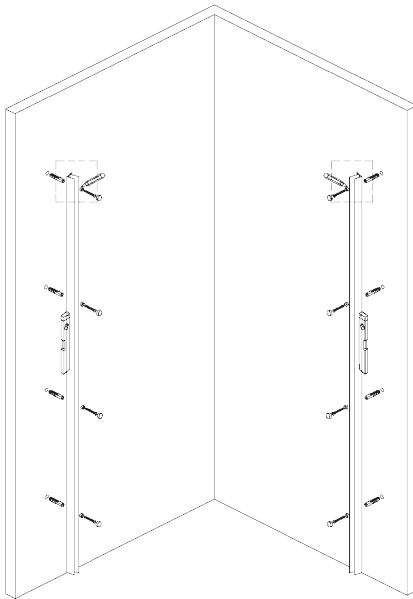
*** PART 1 - 19 ARE SUPPLIED IN BOX A**

13

2 Sided Wall Receiver Installation

Before installing the wall receivers, the shower tray and wall liner must be installed in accordance with the separate instruction manual.

1



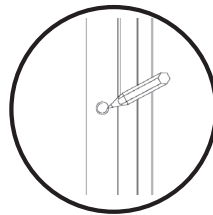
Step 1 - Measure and mark on the wall surface 10mm **INSIDE** of the outer edge of the tray. Repeat on the other side of the tray.

Place the wall receivers (3) on this mark.

IMPORTANT -

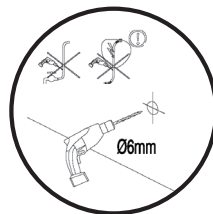
Ensure that the wall receivers are positioned 15 - 20mm **INSIDE** of the outer edge of the tray. The wall receivers also needs to be vertically plumb to ensure it is exactly aligned with the opposite wall receiver. Poor vertical alignment can result in poor door operation.

2



Step 2 - With the wall receiver (3) in place mark the position of the fixing holes on the wall.

3

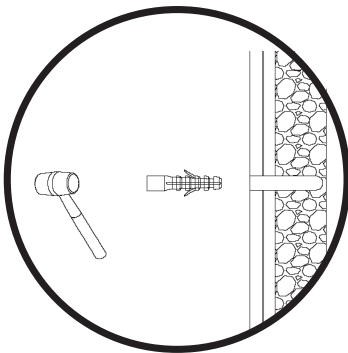


Step 3 - If the walls are hollow, drill a 6mm hole, and install the hollow wall anchors.

If you have solid timber fixings (preferable), drill a 3mm pilot hole through the wall surface.

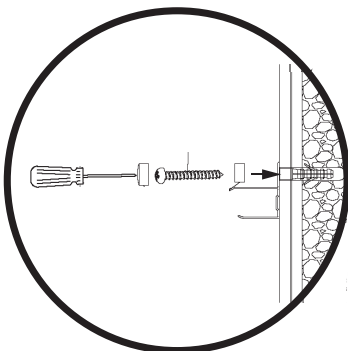
! CAUTION - BEWARE OF ENCLOSED WATER PIPES OR ELECTRICAL CABLES PRIOR TO DRILLING !

4



Step 4 - If you have hollow walls then install the hollow wall anchors (4) into the wall. Repeat Steps 1 - 4 on the opposite wall, then move to step 5

5

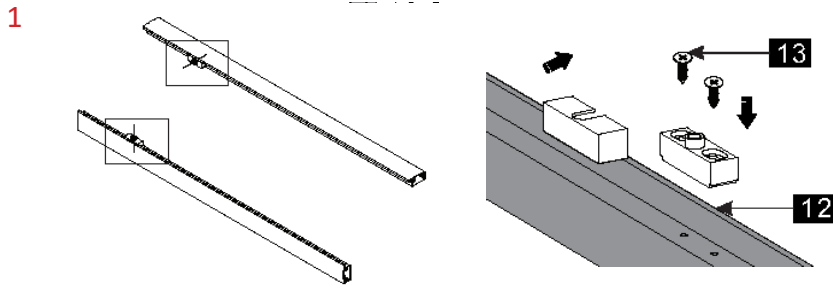


Step 5 - Place Wall Receiver (3) onto the wall, and insert the screw (2) with cap collar (5) into the receiver and fasten to the wall. Repeat on all fixing screws. Fit the cover caps (5) over the screws. Repeat all steps on the second wall receiver (3)

14

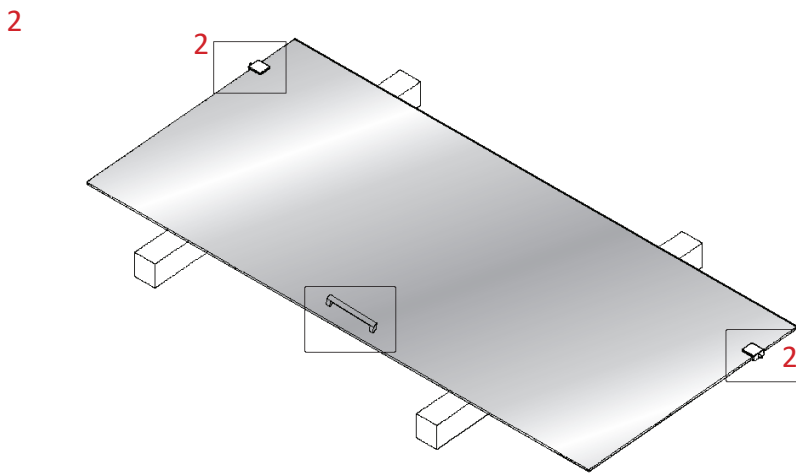
2 Sided Door Frame Assembly

HINT - IT IS EASIER TO ASSEMBLE THE COMPLETE DOOR FRAME LYING DOWN ON A FLAT SURFACE

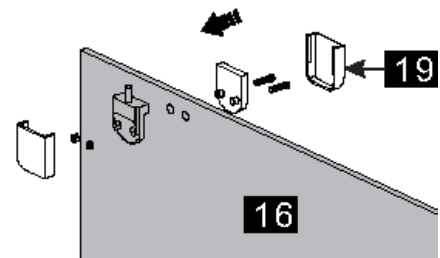


Step 1 - Lay out all parts you will need to assemble the door frame. Identify the cutouts in the Horizontal Extrusions (12) and lay them out so they are in-line and one facing downwards and the other facing upwards as per the image.

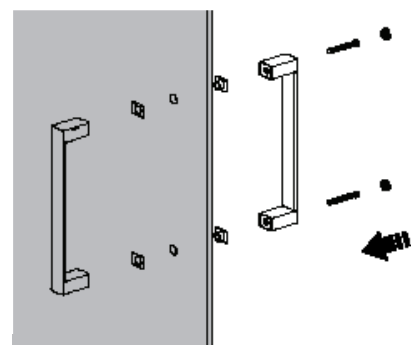
Install the Pivot Blocks (19) onto the Horizontal Extrusions (12) with Fixing Screw 3.5mmx16mm (13)



Step 2 - Install the Pivot Blocks (19) onto the Glass Door Panel (16)

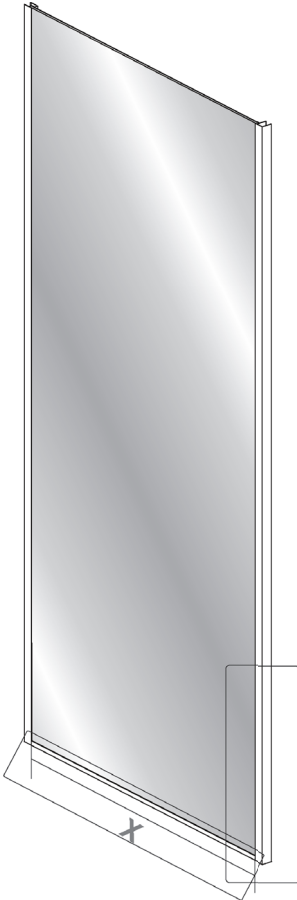


Step 3 - Install the Handle onto the Glass Door Panel (16)



HINT - IT IS EASIER TO ASSEMBLE THE RETURN PANEL LYING DOWN ON A FLAT SURFACE

1



Step 1 - Identify the top and bottom of the return panel, by identifying which side the corner post should be on (the corner post is on the RH side of the return panel in the image).

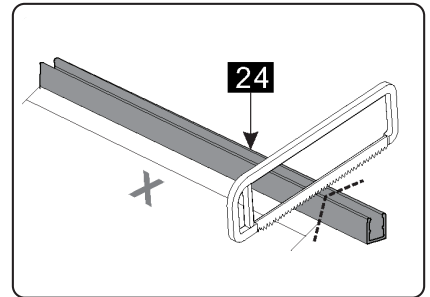
Flip the return panel over if you wish to have the Corner Post on the other side.

Step 2 - Measure the distance between the vertical extrusions the bottom of the Return Panel as per diagram (dimension X)

Step 3 - Measure and mark Dimension X onto the Return Panel Bottom Extrusion (24).

Using a fine tooth blade hacksaw carefully cut the Return Panel Bottom Extrusion (24) to the required length.

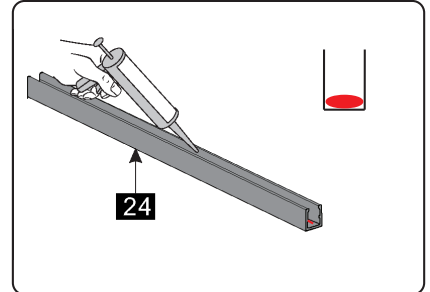
2



2

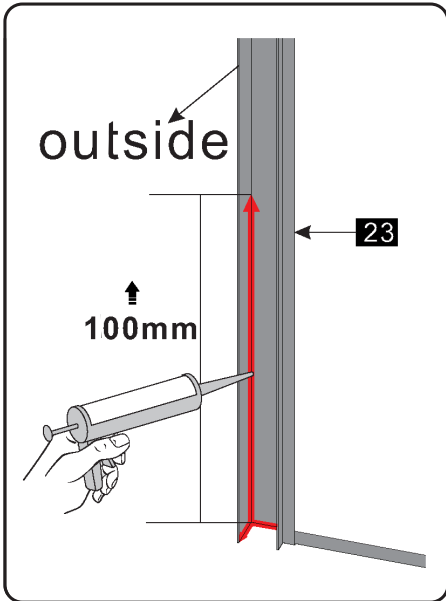
Step 4 - Install a bead of silicone into the Return Panel Bottom Extrusion (24) and fit the extrusion onto the bottom of the glass return panel

4



2 Sided Return Panel and Door Installation

1



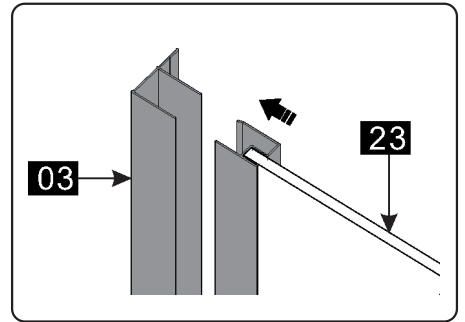
Step 1 - Install a bead of silicone as per the diagram (1) on the inside of each wall receiver (3).

2

Step 2 - Insert the Return Panel (23) over the Wall Receiver (3).

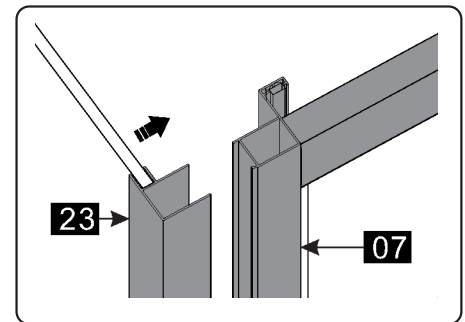
Do not fix the return panel to the wall receiver leave loose.

Repeat the process with the door assembly.

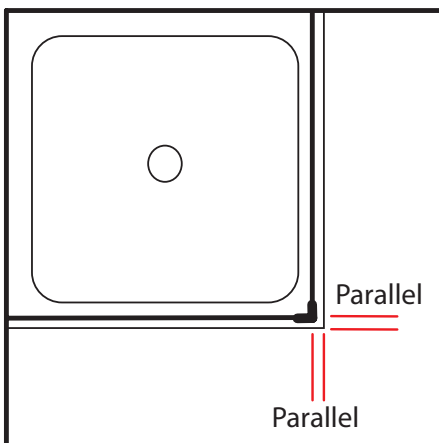


3

Step 3 - Bring the Return Panel (23) and the door assembly together at the corner post joint.

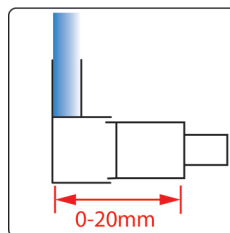


4



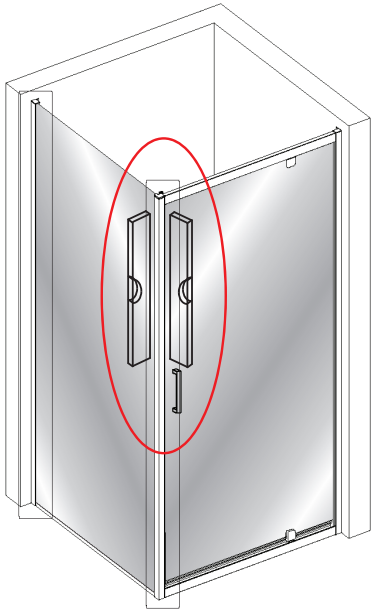
Step 4 - Adjust the door frame and the return panel in their receivers and the corner post joint gently until they sit parallel and 10mm inside the front edge of the tray.

Corner Post



2 Sided Return Panel and Door Installation

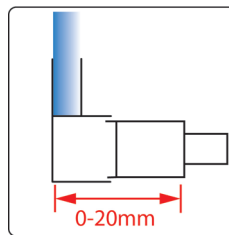
6



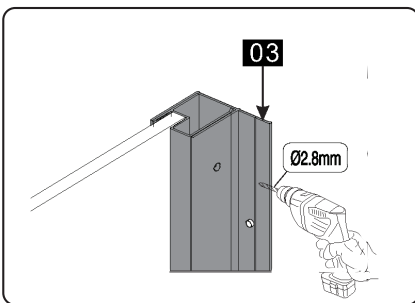
Step 6- Check that the corner post is vertically plumb with a level on both outer faces of the corner post. To adjust slide the return panel in or out slightly in its wall receiver, and repeat the same process for the door frame.

The door frame should also be adjusted in the corner post for better alignment of the glass door panel inside the frame.

Corner Post



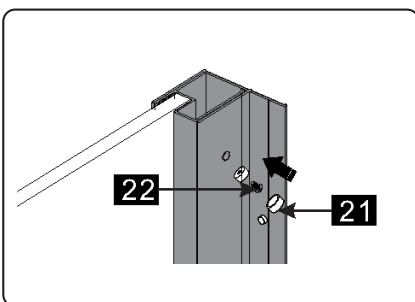
7



Step 7- Slide open the door carefully and working from the inside.

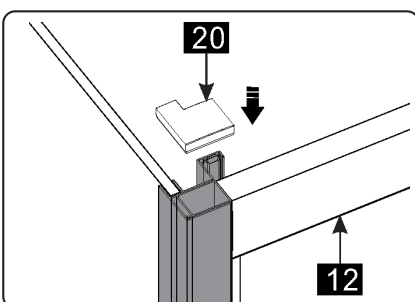
From the INSIDE of the shower, Drill 8 x 2.8mm holes through the wall receivers and through the door frame and return panel vertical extrusions.

8



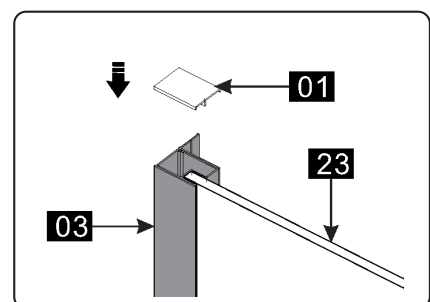
Step 8 - Install the screw cap collars over the screws and fasten the screws into the wall receiver and frame joint. Install the cover caps over the screw heads.

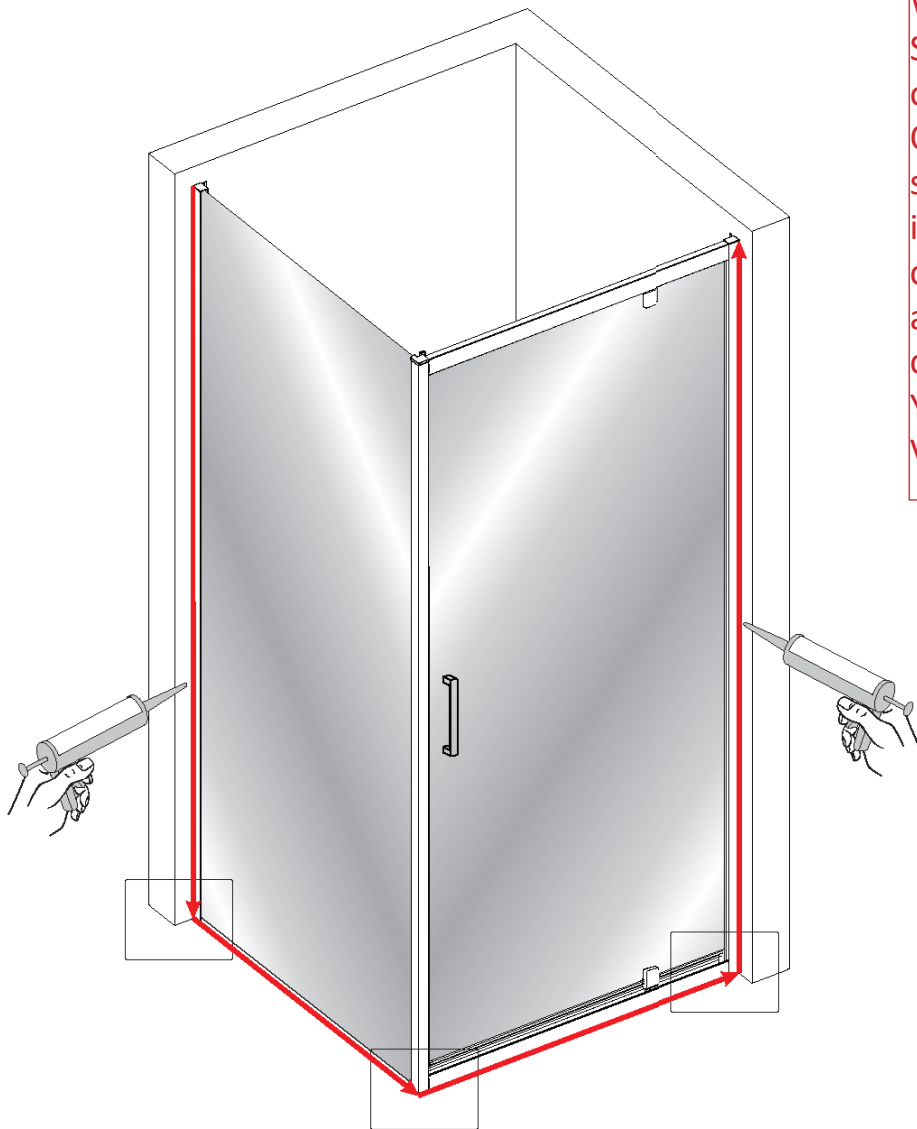
8



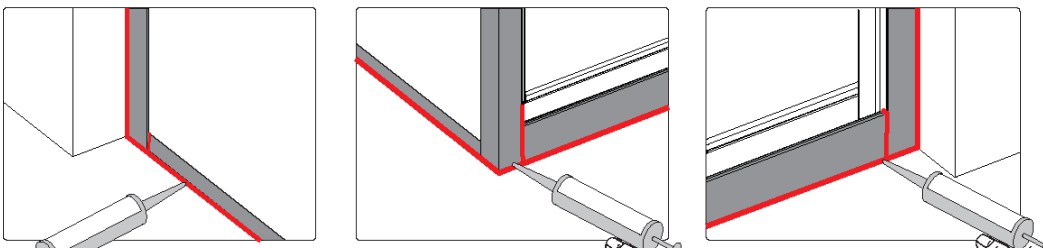
Step 8 - Fit the appropriate LH or RH Cover Cap to the corner Post

Step 9 - Fit the appropriate LH or RH Cover Cap to the Wall Receiver (3)





WARNING -
Silicone sealant should only be applied to the **OUTSIDE** perimeter of the shower. Installing silicone inside the shower can cause blockage of water and leakage, and **WILL** cause mould build up. Your warranty **WILL BE VOIDED**.



Step 1 -

Apply a bead of Silicone to the **OUTSIDE** perimeter of the shower and frame joints as per the above diagram. Trim and allow to dry for 24 hours.

19 Warranty

All bathroomware products supplied by Fibre Systems carry our Quality Assurance and Product Warranty. We use the highest quality materials available and manufacture these in accordance with New Zealand specifications and requirements to ensure that all products are fit for the intended purpose for which they are designed. Our customer's peace of mind is of paramount importance to us.

Warranty Periods

| | |
|--------------------------------------|----------|
| Baths | 10 years |
| Showers | 10 years |
| Shower Screens and Doors | 10 years |
| Silva and White Coatings | 10 years |
| E-Line + Squareline + Dezine Showers | 5 years |
| Black Coatings | 5 years |
| Aquaknight Easy Clean Wastes | 7 years |
| Accessories | 2 years |

Warranty Exclusions

The product must be installed according to the FIBRE SYSTEMS instructions.

The water supply temperature applied to the product must not exceed 55 degrees Celsius.

All cleaning and cleaning products must be in accordance with our cleaning instructions and guidance.

Commercial Applications (where products are installed in a building where occupancy is via a commercial arrangement i.e. a rental property, hotel, hostel etc) are restricted to a 2 year warranty on all products.

20 Cleaning

Please refer to our cleaning instructions document for guidance, available on our website

21 After sales service

We trust you have found the manual helpful during the installation of this product. However, if you have any questions at all regarding your product, please feel free to contact us.

Phone 09-274-7423

Fibre Systems Ltd

77 Cryers Road

East Tamaki

Auckland